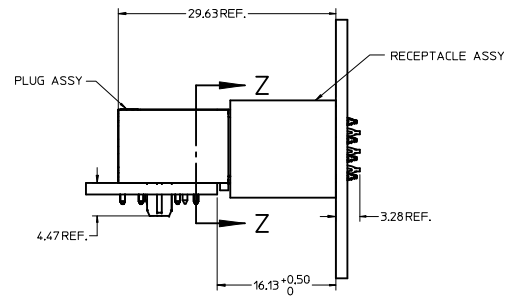
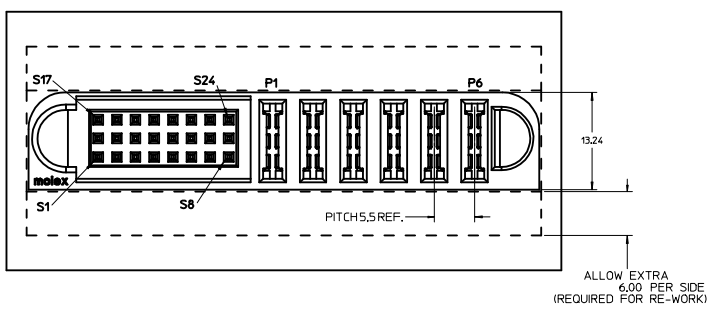
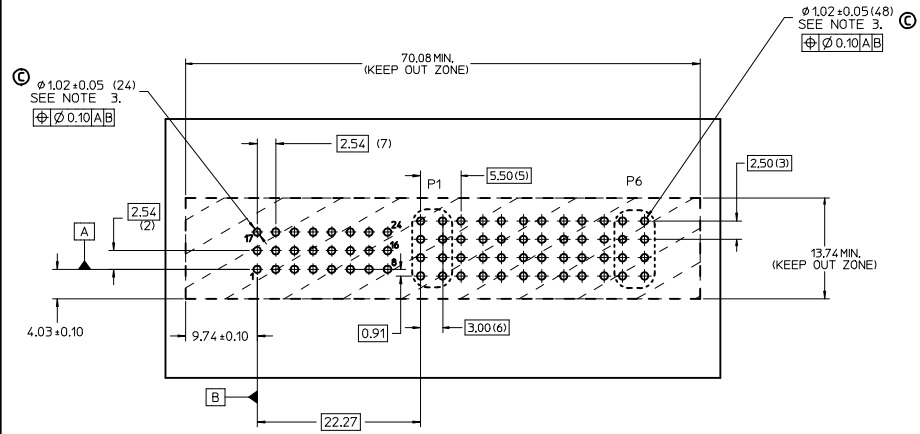


P/N: 46562-1003



MATING PROFILE (SHOWN MATED TO PLUG ASSY 46437-1003)



RECOMMENDED PCB LAYOUT AND KEEP OUT ZONE

- NOTES:
- MATERIAL:
 - HOUSINGS: LCP UL94, V-0, COLOR: BLACK.
 - TERMINALS: COPPER ALLOY.
 - PLATING: 127 MICROMETER(50 MICROINCH) NICKEL OVERALL WITH 2.54 MICROMETER(100 MICROINCH) SELECTIVE TIN ON TAILS AND 0.762 MICROMETER(30 MICROINCH) SELECTIVE GOLD ON CONTACT AREA
 - PACKAGING: ASSEMBLIES TO BE TRAY PACKED PER PACKAGING SPEC: TBD
 - PLATED THRU HOLE SIZE REFERS TO PS-46436-100 FOR DETAILS
 - PRODUCT SPEC: PS-46436-100
 - APPLICATION SPEC: AS-46436-100
 - PRODUCT TO MEET RoHS REQUIREMENTS
 - ASSEMBLY MATES TO MOLEX PLUG ASSEMBLY P/N 46437-1003
 - TAIL DESIGN: COMPLIANT PIN
 - POWER AND SIGNAL CONTACTS ARE LUBRICATED.

DRAWING UPDATE IEC NO: UCP2013-1288 DRAWN BY: CHYKJESSIECHUA CHECKED BY: APPR:SHONG 2012/10/02 2012/12/14	QUALITY SYMBOLS	GENERAL TOLERANCES (UNLESS SPECIFIED)	DIMENSION STYLE	SCALE	DESIGN UNITS	THIRD ANGLE PROJECTION
		mm INCH	MM ONLY	3:1	METRIC	
		4 PLACES ±.010 ±.010	BKOSTIC DATE 2007/09/10	TITLE	VERICAL RECEPTICAL 6 PWR AND 24 SIGNAL CKT TEN60 FAMILY	
		3 PLACES ±.010 ±.010	BKOSTIC DATE 2007/10/10	MOLEX MOLEX INCORPORATED		
	2 PLACES ±0.25 ±.010	BKOSTIC DATE 2007/10/10	MATERIAL NO. 46562-1003		DOCUMENT NO. SD-46562-103	SHEET NO. 1 OF 1
	1 PLACE ±0.25 ±.010	BKOSTIC DATE 2007/10/10	THIS DRAWING CONTAINS INFORMATION THAT IS PROPRIETARY TO MOLEX INCORPORATED AND SHOULD NOT BE USED WITHOUT WRITTEN PERMISSION			