

## Cable gland - G-INS-M40-L68N-PNES-GY - 1424479

Please be informed that the data shown in this PDF Document is generated from our Online Catalog. Please find the complete data in the user's documentation. Our General Terms of Use for Downloads are valid (<http://phoenixcontact.com/download>)



Cable gland, cable gland material: PA, external cable diameter 22 mm ... 32 mm, shielding: no, connecting thread: M40 x 1.5, color: silver-gray RAL 7001

### Your advantages

- ✔ Plastic material conforms to UL 746C f1

### Key Commercial Data

Packing unit	5 pc
Minimum order quantity	5 pc
GTIN	
GTIN	4055626372693

### Technical data

#### Dimensions

Length	55 mm
Wrench size, union nut	53 mm
Wrench size, support	53 mm
Hexagon angular dimension	52 mm
Length of the connecting thread	18 mm
Feed-through hole diameter	40.1 mm ... 40.3 mm
External cable diameter	22 mm ... 32 mm
	22 mm ... 32 mm (for UL 514 B)

#### Ambient conditions

Degree of protection (IP)	IP68 (5 bar / 0.5 h)
	IP66
Ambient temperature (operation)	-40 °C ... 100 °C (static)

#### General

# Cable gland - G-INS-M40-L68N-PNES-GY - 1424479

## Technical data

### General

No. of conductors	1
Cable gland material	PA
Cable seal material	CR
Flammability rating according to UL 94	V2
	V2 (Housing)
Shielded	no
Thread type connection side	M40 x 1.5
Thread type on connection side	M40
Torque	5 Nm (Union nut: EN 62444)
	5 Nm (Support: EN 62444)
	20 Nm (for UL514 B: union nut)
Color	silver-gray RAL 7001
Impact category	4
Execution of the strain relief	A
Assembly instructions	1) Mount screw connection support in the housing using the correct torque 2) Insert cable 3) Tighten union nut using the correct torque
Manufacturer	BIMED
Manufacturer Designation	BM-08

### Standards and Regulations

Flammability rating according to UL 94	V2
--	----

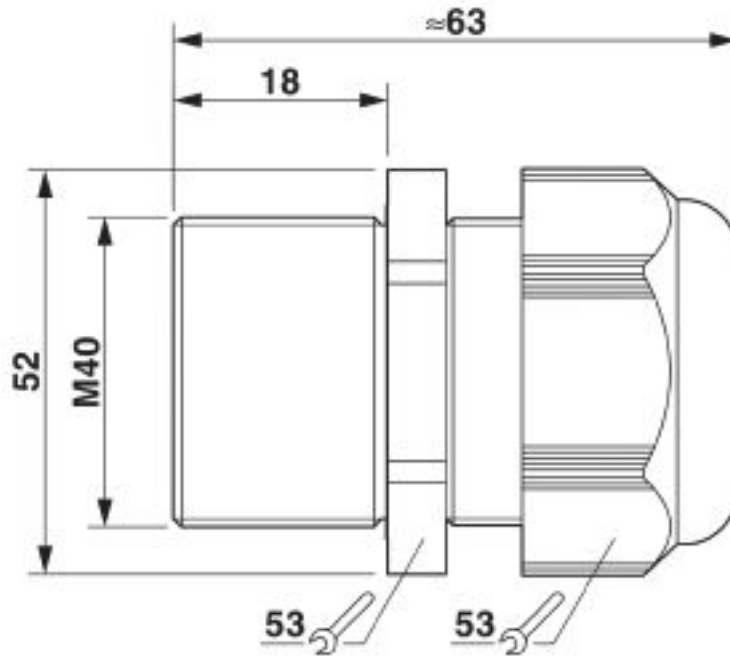
### Environmental Product Compliance

China RoHS	Environmentally friendly use period: unlimited = EFUP-e
	No hazardous substances above threshold values

## Drawings

# Cable gland - G-INS-M40-L68N-PNES-GY - 1424479

Dimensional drawing



Dimensional drawing

## Approvals

Approvals

Approvals

CSA / UL Listed / cUL Listed / cULus Listed

Ex Approvals


## Approval details

CSA		<a href="http://www.csagroup.org/services-industries/product-listing/">http://www.csagroup.org/services-industries/product-listing/</a>	115116
-----	--	---	--------

UL Listed		<a href="http://database.ul.com/cgi-bin/XYV/template/LISEXT/1FRAME/index.htm">http://database.ul.com/cgi-bin/XYV/template/LISEXT/1FRAME/index.htm</a>	E199260
-----------	--	---	---------

## Cable gland - G-INS-M40-L68N-PNES-GY - 1424479

### Approvals

cUL Listed		<a href="http://database.ul.com/cgi-bin/XYV/template/LISEXT/1FRAME/index.htm">http://database.ul.com/cgi-bin/XYV/template/LISEXT/1FRAME/index.htm</a>	E199260
------------	---	---	---------

cULus Listed			
--------------	---	--	--

Phoenix Contact 2019 © - all rights reserved  
<http://www.phoenixcontact.com>

PHOENIX CONTACT GmbH & Co. KG  
Flachsmarktstr. 8  
32825 Blomberg  
Germany  
Tel. +49 5235 300  
Fax +49 5235 3 41200  
<http://www.phoenixcontact.com>