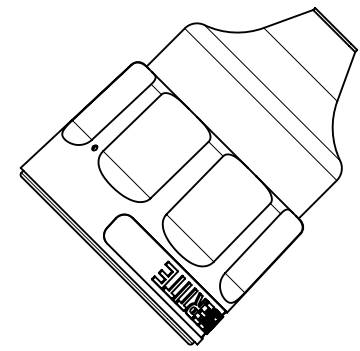
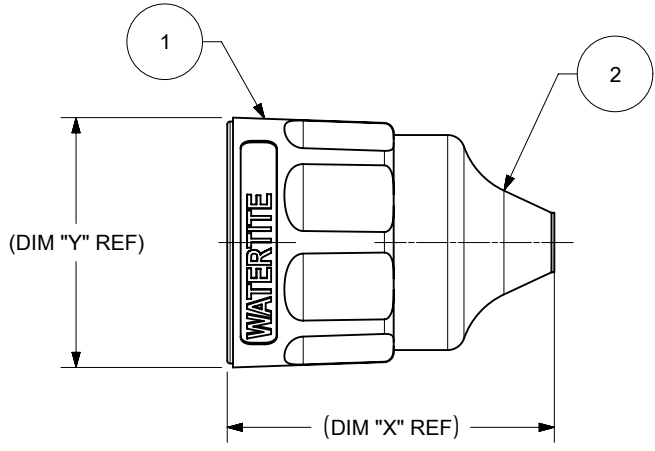


6 5 4 3 2 1

ORDER NO.	WOODHEAD NO.	COLOR	BODY SIZE	CORD GRIP	CABLE RANGE	DIM "X" REF	DIM "Y" REF
1301550195	14WBOOT	YELLOW	F2	1/2"	0.375 - 0.625	1.70	1.30
1301550196	14WBOOT-BLK	BLACK	F2	1/2"	0.375 - 0.625	1.70	1.30
1301550210	26WBOOT	YELLOW	F3	3/4"	0.437 - 0.812	2.12	1.50
1301550211	26WBOOT-BLK	BLACK	F3	3/4"	0.437 - 0.812	2.12	1.50
1301550212	28WBOOT	YELLOW	F4	1"	0.562 - 0.937	2.32	1.90
1301550213	28WBOOT-BLK	BLACK	F4	1"	0.562 - 0.937	2.32	1.90



ITEM NO.	DESCRIPTIONS	MATERIAL	QTY.
1	COMPRESSION NUT	NYLON	1
2	CABLE GLOVE	SILICONE	1

FUNCTIONAL SYMBOLS $\frac{F}{A} = 0$ $\frac{F}{E} = 0$ $\frac{F}{P} = 0$	THIS DRAWING CONTAINS INFORMATION THAT IS PROPRIETARY TO MOLEX ELECTRONIC TECHNOLOGIES, LLC AND SHOULD NOT BE USED WITHOUT WRITTEN PERMISSION		CURRENT REV DESC: RELEASED		<p>COMPRESSION NUT & CABLE GLOVE</p> <p>PRODUCT CUSTOMER DRAWING</p>		
	DIMENSION UNITS: INCH SCALE: NTS	GENERAL TOLERANCES (UNLESS SPECIFIED) ANGULAR TOL \pm °				EC NO: 653868 DRWN: DNGUYEN62 2021/01/26 CHK'D: WLEUNG 2021/01/28 APPR: HKNEELAND 2021/02/04	
	DIVISIONAL SYMBOLS 4 PLACES \pm 3 PLACES \pm 2 PLACES \pm 1 PLACE \pm 0 PLACES \pm	INITIAL REVISION: DRWN: DNGUYEN62 2021/01/26 APPR: HKNEELAND 2021/02/04		DOCUMENT NUMBER: 1301550195			DOC TYPE: PSD DOC PART: 000 REVISION: A
	DRAFT WHERE APPLICABLE MUST REMAIN WITHIN DIMENSIONS		THIRD ANGLE PROJECTION	DRAWING: A-SIZE			SERIES: 130155

DOCUMENT STATUS	P1	RELEASE DATE	2021/02/04	00:24:24
-----------------	----	--------------	------------	----------

6 5 4 3 2 1

FORMAT: master-db-prod-A
 REVISION: J
 DATE: 2020/01/14