

6

5

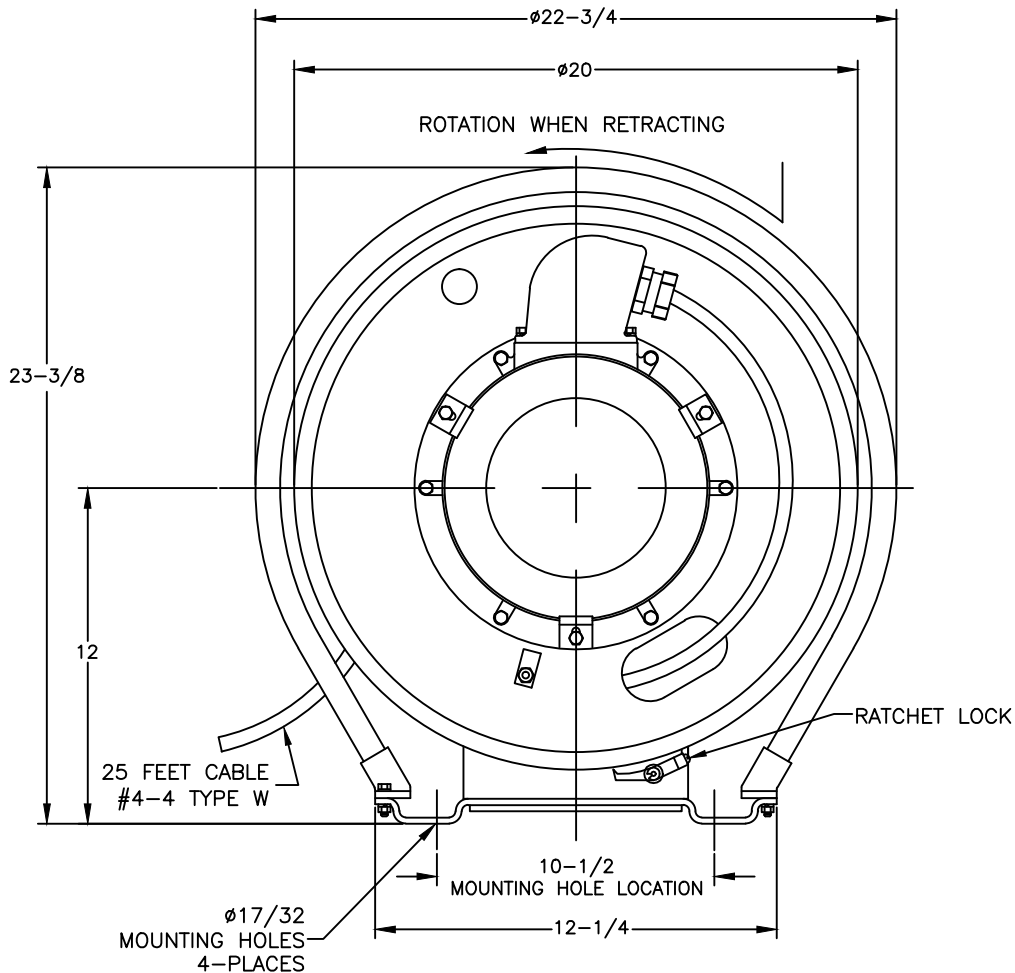
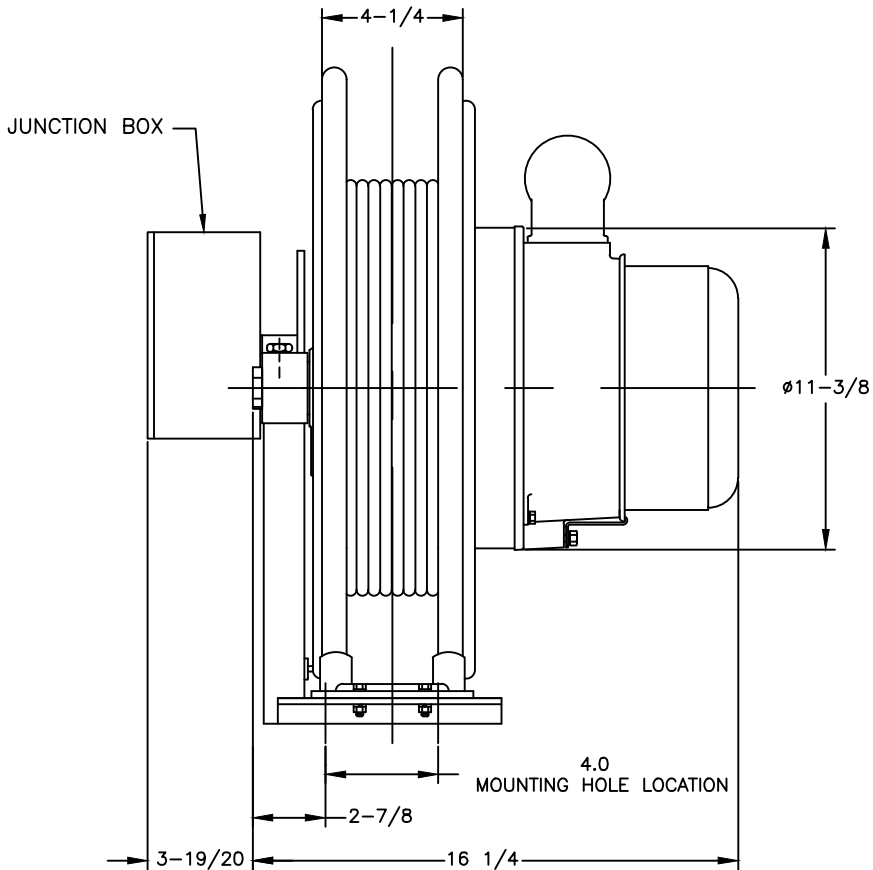
4

3

2

1

MATERIAL #	ENGINEERING #
1300851088	114216404GV0377



ELECTRICAL RATING: 55A, 600V

QUOTE #A201524332	MATERIAL #1300851088
CUSTOMER APPROVAL SIGNATURE & DATE	
SIGNATURE	DATE

RELEASE CUSTOMER DWG	EC NO: IPG2015-0570
DRWN: HRUIZ01	2014/09/26
CHKD: KAHMED	2014/09/26
APPR: JFMURPHY	2014/11/18
REV	DESCRIPTION
A	

QUALITY SYMBOLS
▽=0
▽C=0

GENERAL TOLERANCES (UNLESS SPECIFIED)	DIMENSION STYLE INCH
4 PLACES ±--- ±---	DRAWN BY DATE
3 PLACES ±--- ±.005	HRUIZ01 2014/09/26
2 PLACES ±--- ±.010	CHECKED BY DATE
1 PLACE ±--- ±.020	KAHMED 2014/09/26
ANGULAR ±1/2°	APPROVED BY DATE
DRAFT WHERE APPLICABLE MUST REMAIN WITHIN DIMENSIONS	JFMURPHY 2014/11/18
	MATERIAL NO. 1300851088

SCALE NTS	DESIGN UNITS INCH	THIRD ANGLE PROJECTION
TITLE		
114216404G7L CABLE REEL		
25' OF #4-4 TYPE W CABLE		
W/ RATCHET LOCK		
MATERIAL NO. 1300851088		
DOCUMENT NO. SD-130085-011		
SHEET NO. 1 OF 1		

THIS DRAWING CONTAINS INFORMATION THAT IS PROPRIETARY TO MOLEX INCORPORATED AND SHOULD NOT BE USED WITHOUT WRITTEN PERMISSION		
---	--	--

6

5

4

3

2

1

A

A