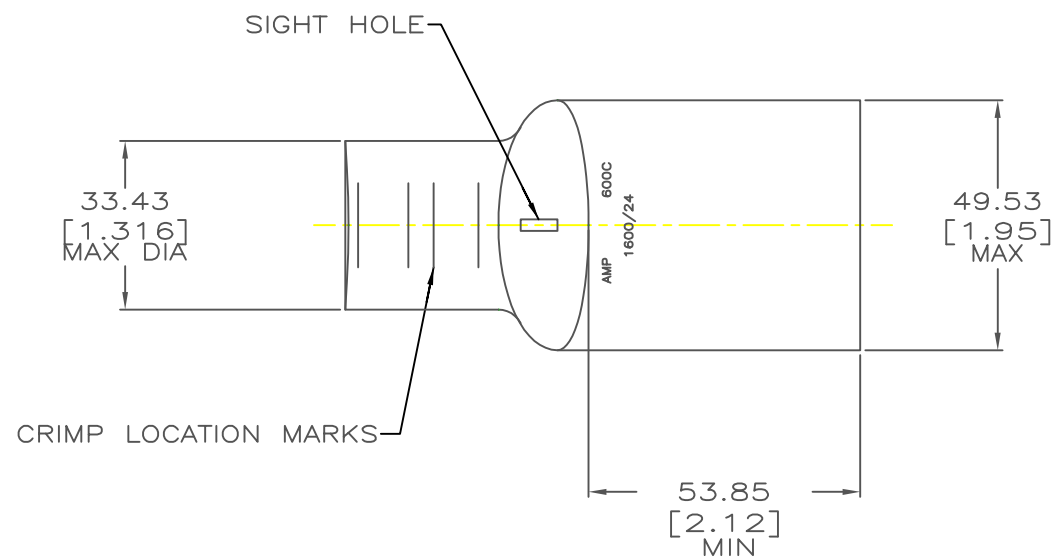


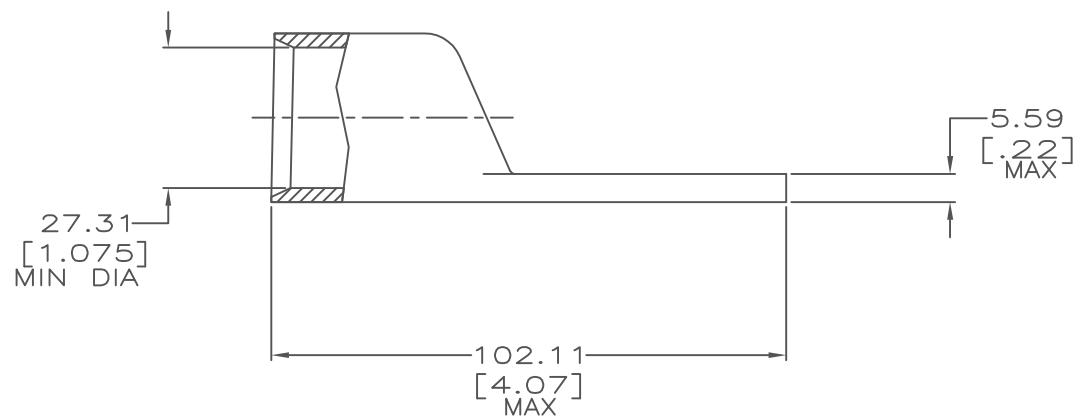
DRAWING MADE IN THIRD ANGLE PROJECTION

THIS DRAWING IS UNPUBLISHED. RELEASED FOR PUBLICATION .19  
 © COPYRIGHT 19 BY AMP INCORPORATED. ALL INTERNATIONAL RIGHTS RESERVED.

LOC	DIST	P	F	ZONE	LTR	DESCRIPTION	DATE	APPD
G	86				K	ECR-17-006035	01jun2017	MS



1 CIRCULAR MIL RANGE: 550-650 MCM



326211

1-326211-1

PART NO

DO NOT SCALE PRINT.  
UNLESS SPECIFIED  
DIMENSIONS IN mm [INCHES]  
TOLERANCES ON :  
2 PLC DEC ± 0.51[.020]  
3 PLC DEC ± -  
ANGLES ± -

DR 9/17/91  
DK SCHRUM

CHK 9/17/91  
AJ KAUFMAN

APPD 9/18/91  
WJ VOCKROTH

MATERIAL  
ANNEALED COPPER  
ASTM B-75

APPD 9/18/91  
AJ ADELMANN

PRODUCT SPEC  
-

FINISH  
CLEANED

APPLICATION SPEC  
-

WEIGHT .498 LB

NAME

**AMP** AMP INCORPORATED  
Harriensburg, Pa. 17105

TERMINAL, AMPPOWER<sup>SM</sup>  
WIRE SIZE: 304.0mm<sup>2</sup>[600]MCM

SIZE C CAGE CODE DRAWING NO

SCALE 1:1

00779

326211

SHEET 10F 1

**METRIC**