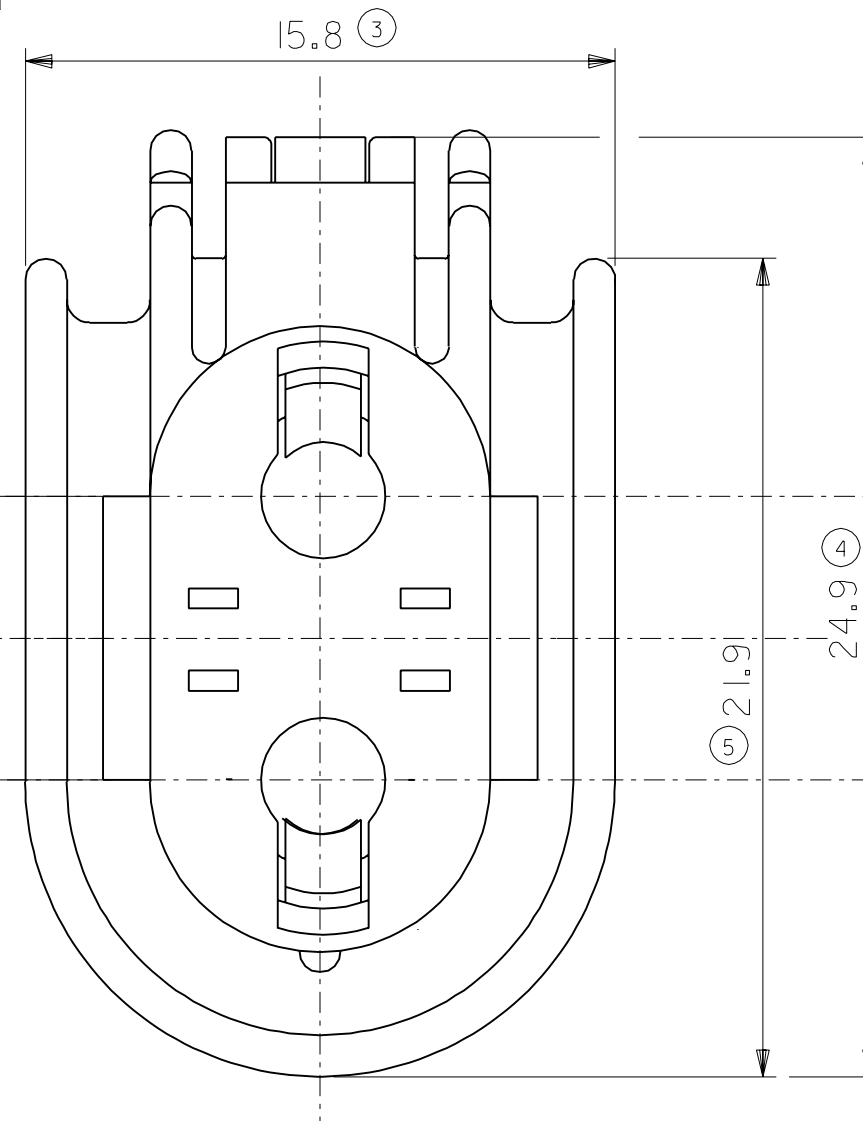
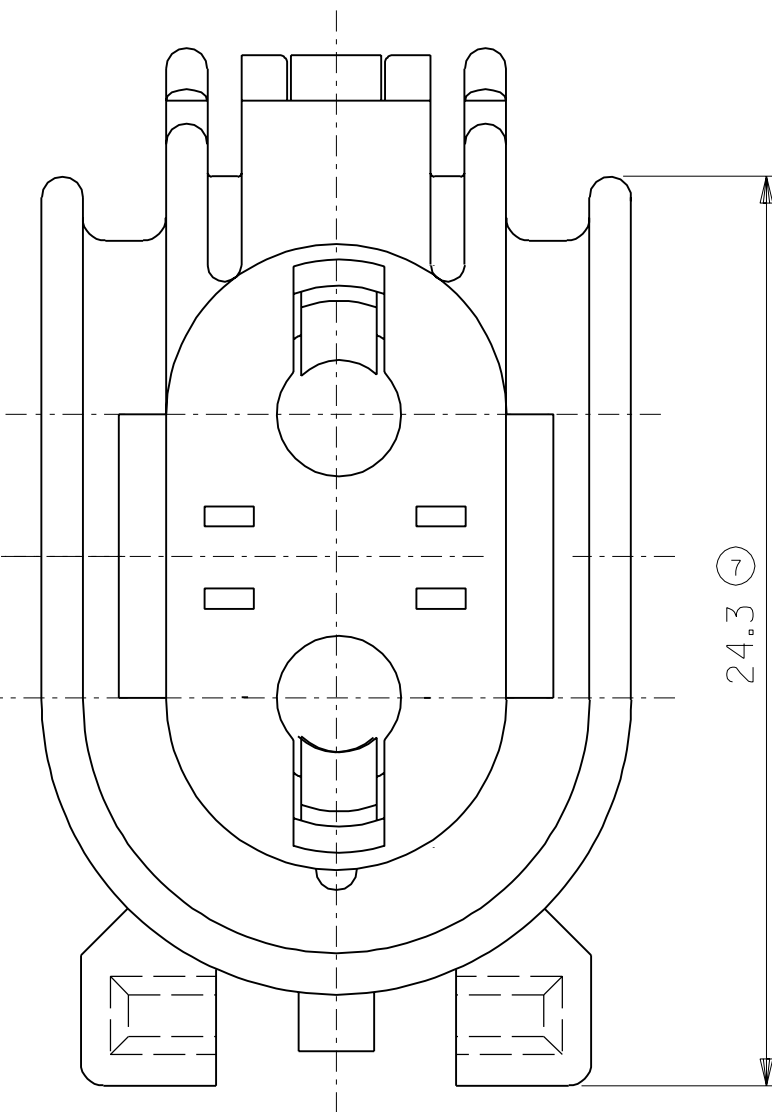


2 SPACER
1 ST STOP POSITION
(COLOR RED)



VERSION WITHOUT MOUNTING-CLIP



VERSION WITH MOUNTING-CLIP

MATERIAL: 1 PBTP 30% GV
2 PBTP 30% GV

| COLOR | FARBE | RAL | MOLEX-NO. |
|---------|---------|------|------------|
| BLACK | SCHWARZ | 9005 | 98020-0001 |
| BROWN | BRAUN | 8017 | 98020-0002 |
| BLUE | BLAU | 5015 | 98020-0003 |
| GREEN | GRUEN | 6001 | 98020-0004 |
| YELLOW | GELB | 1018 | 98020-0005 |
| GREY | GRAU | 7035 | 98020-0006 |
| ORANGE | ORANGE | 1007 | 98020-0007 |
| NATURAL | NATUR | - | 98020-0008 |

| COLOR | FARBE | RAL | MOLEX-NO. |
|---------|---------|------|------------|
| BLACK | SCHWARZ | 9005 | 98020-0011 |
| BROWN | BRAUN | 8017 | 98020-0012 |
| BLUE | BLAU | 5015 | 98020-0013 |
| GREEN | GRUEN | 6001 | 98020-0014 |
| YELLOW | GELB | 1018 | 98020-0015 |
| GREY | GRAU | 7035 | 98020-0016 |
| ORANGE | ORANGE | 1007 | 98020-0017 |
| NATURAL | NATUR | - | 98020-0018 |

MOLEX - CODE (ANY No.)
 XXXXX - X X X X
 I-8 COLOR
 O=WITHOUT CLIP
 I=WITH CLIP
 O=HOUSING WITH SPACER
 I=HOUSING WITHOUT SPACER
 BASIC PART - NO.

FOR PREVIOUS
DRAWING ISSUES
SEE "EDIS"

| | | | | | |
|---|------------|-----------|--|--|--|
| ECN MXC 2678 23.09.97 NME | LTR I I | REVISIONS | THIRD ANGLE PROJECTION | REVISE ONLY ON CAD SYSTEM | SH. REV. |
| | | | DIMENSIONS SHOWN (METRIC) INCH UNLESS OTHERWISE SPECIFIED TOLERANCES: ANGULAR * INCH (METRIC) | CAD/CAM FILENAME SDA98020 DGN | THIS DRAWING CONTAINS INFORMATION THAT IS PROPRIETARY TO MOLEX INC. & SHOULD NOT BE USED WITHOUT WRITTEN PERMISSION |
| 3 PLACE ± ± 2 PLACE ± ± 1 PLACE ± ± 0.20 DRAFT WHERE APPLICABLE MUST REMAIN WITHIN DIMENSIONS | | | DRWG BY NME | TITLE 2-WAY HOUSING FOR FEMALE TERMINAL NON WATERPROOF 2.8-SYSTEM | |
| DESIGN DIMENSION <input checked="" type="checkbox"/> (MM) (PRIMARY) <input type="checkbox"/> IN. EQUIVALENT DIMENSION <input type="checkbox"/> (MM) (SECONDARY) <input type="checkbox"/> IN. | | | CHK'D BY SCH | SHEET NO. DATE 1 / 1 19 / 02 / 87 | |
| SCALE 5:1 | | | APP'D BY JHO | MOLEX MOLEX EUROPE | |
| | | | | PART NO. SEE TABLE | DWG NO. SDA-98020 |
| | | | | SIZE C | |