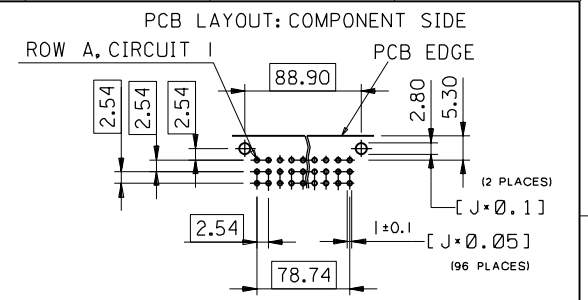
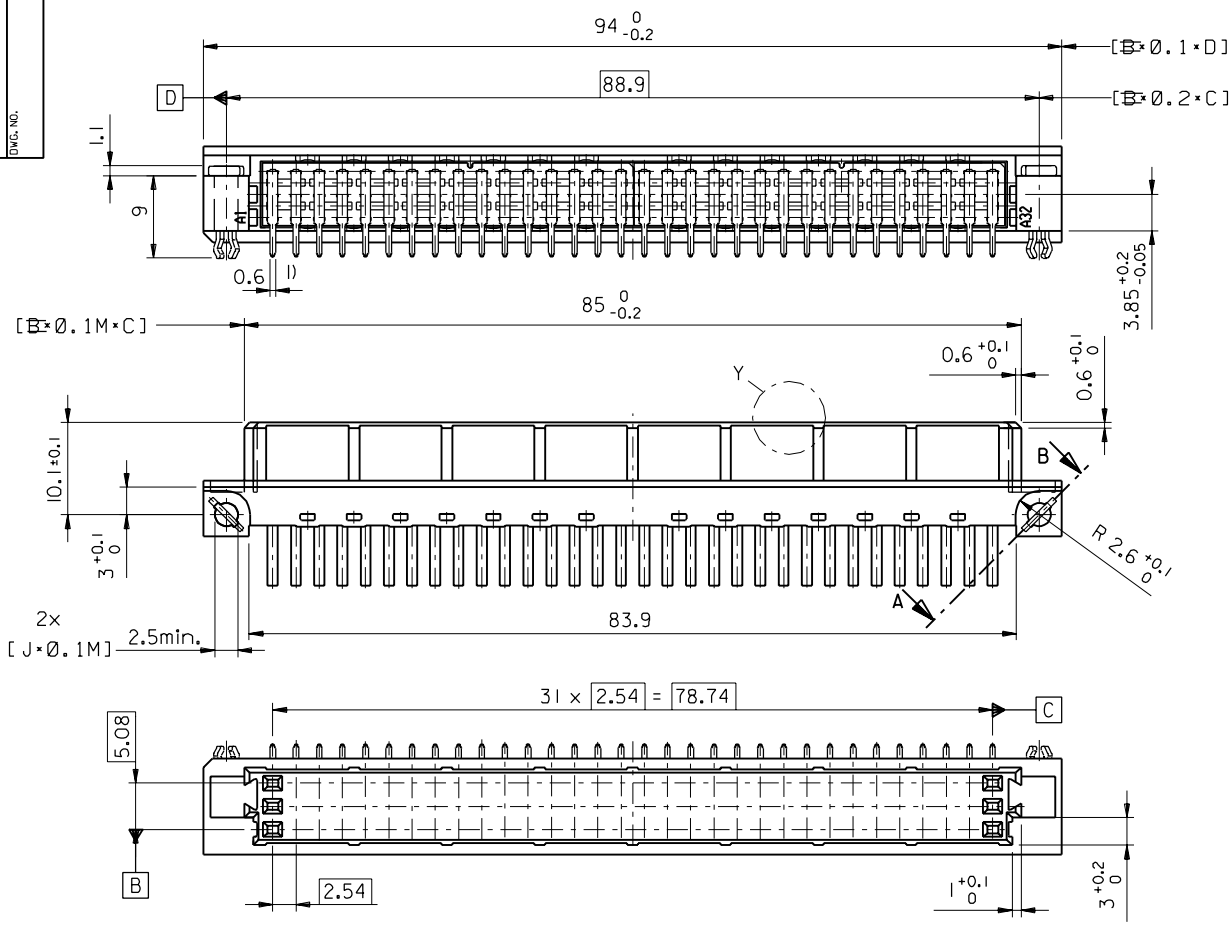
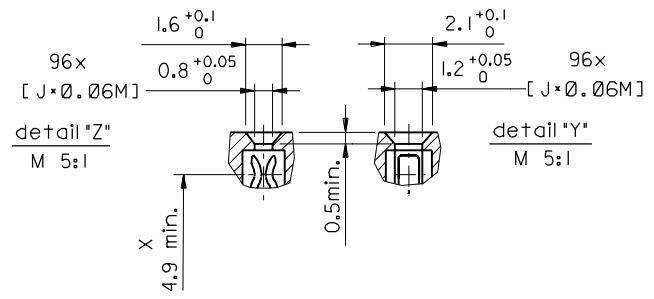
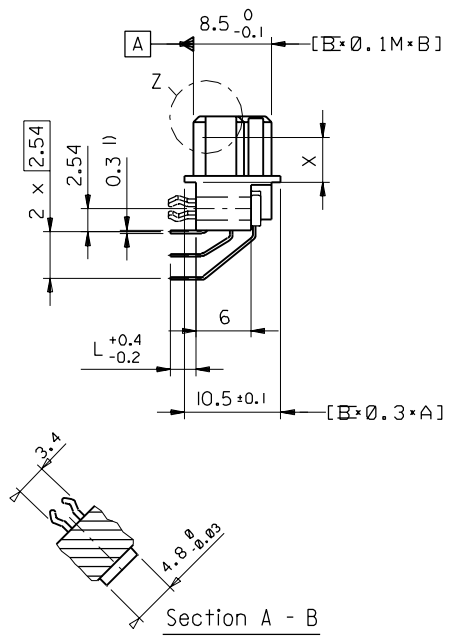


PART NO.
DWG. NO.



1) tails to fit in PC-board layout



FIRST ANGLE PROJECTION

REVISE ONLY ON CAD SYSTEM

ECN MG1998-2586 hole pattern/L+0.4-0.2 97-09-15 KN	REVISIONS
BI	LTR

UNLESS OTHERWISE SPECIFIED TOLERANCES: ANGULAR ±2°	DRWG BY	SIGN
INCH	KN	
METRIC	CHK'D BY	SIGN
3 PLACE ±	Ca	
2 PLACE ±	APP'D BY	SIGN
1 PLACE ±	JB	
DRAFT WHERE APPLICABLE MUST REMAIN WITHIN DIMENSIONS	SCALE	
DESIGN DIMENSION <input checked="" type="checkbox"/> MM	2:1	
EQUIVALENT DIMENSION <input type="checkbox"/> IN.		
<small>IF TWO DIMENSIONS ARE SHOWN THE UPPER IS THE DESIGN DIMENSION, LOWER IS SECONDARY</small>		

CAD/CAM PROJECT NAME	85052000 611
TITLE	96 pos. female connector DIN 41612 style R + clip Dimensions
SHEET NO.	1 OF 2
DATE	96/04/25
PART NO.	SDA-85052-0001
DWG NO.	
SIZE	B

THIS DRAWING CONTAINS INFORMATION THAT IS PROPRIETARY TO MOLEX INC. & SHOULD NOT BE USED WITHOUT WRITTEN PERMISSION
MOLEX MOLEX EUROPE
SH. REV. 2 B1