

PAGE 1/2

ISSUE 28-06-16

SERIE : SPnT

PART NUMBER : R574F02525

RF CHARACTERISTICS

Number of ways : 5
Frequency range : 0 - 26.5 GHz
Impedance : 50 Ohms

| Frequency (GHz) | DC - 3 | 3 - 8 | 8 - 12.4 | 12.4 - 18 | 18-26.5 |
|--------------------|---------|---------|----------|-----------|---------|
| VSWR max | 1.20 | 1.30 | 1.40 | 1.50 | 1.70 |
| Insertion loss max | 0.20 dB | 0.30 dB | 0.40 dB | 0.50 dB | 0.70 dB |
| Isolation min | 80 dB | 70 dB | 60 dB | 60 dB | 50 dB |
| Average power (*) | 240 W | 150 W | 120 W | 100 W | 40 W |

TERMINATION IMPEDANCE : 50 Ohms
TERM. AVG. POWER AT 25° C : 1 W per termination / 3 W total power

ELECTRICAL CHARACTERISTICS

Actuator : NORMALLY OPEN
Nominal current ** : 250 mA
Actuator voltage (Vcc) : 12V (10.2 to 13V)
Terminals : 25 pins D-SUB male connector
TTL inputs (E) - High level : 2.2 to 5.5 V / 800µA at 5.5 V
- Low level : 0 to 0.8 V / 20µA at 0.8 V

MECHANICAL CHARACTERISTICS

Connectors : SMA female per MIL-C 39012
Life : 2.000.000 cycles per position
Switching Time*** : < 15 ms
Construction : Splashproof
Weight : < 250 g

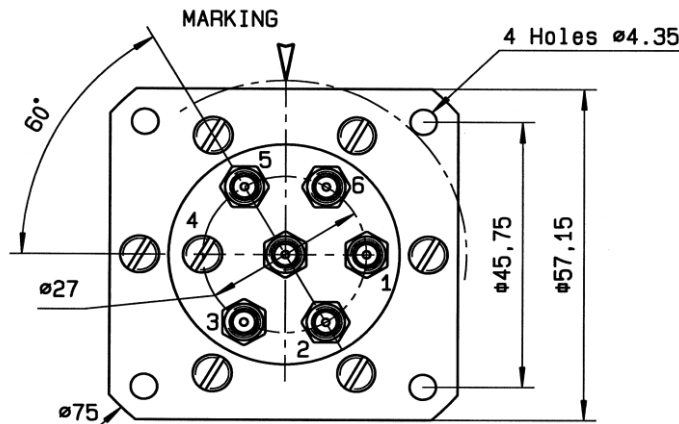
ENVIRONMENTAL CHARACTERISTICS

Operating temperature range : -40°C to +85°C
Storage temperature range : -55°C to +85°C

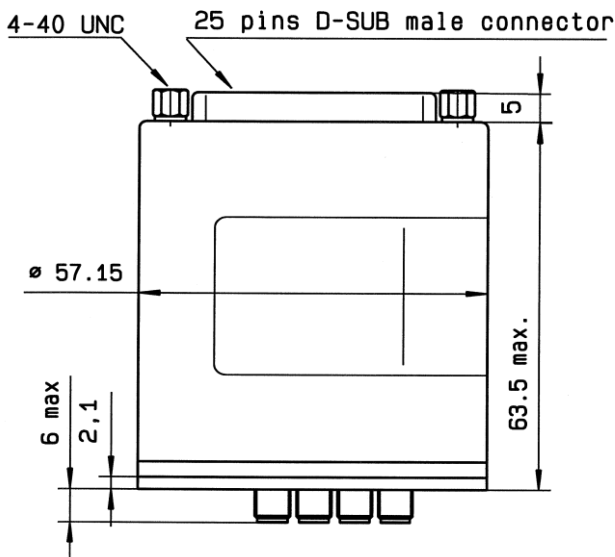
(* Average power at 25°C per RF Path)
(** At 25° C ±10%)
(*** Nominal voltage ; 25° C)



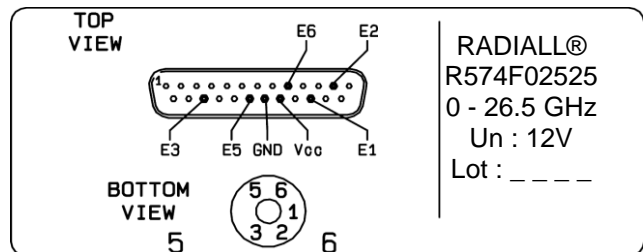
DRAWING



| TTL input | RF Continuity |
|-----------|------------------------|
| E1 = 1 | IN \leftrightarrow 1 |
| E2 = 1 | IN \leftrightarrow 2 |
| E3 = 1 | IN \leftrightarrow 3 |
| E4 = 1 | IN \leftrightarrow 4 |
| E5 = 1 | IN \leftrightarrow 5 |



LABEL



General tolerances : ± 0.5 mm

SCHEMATIC DIAGRAM

