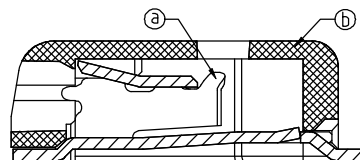
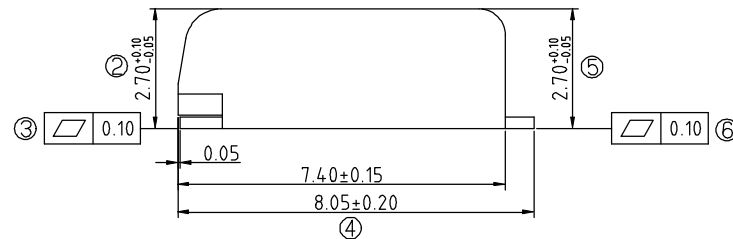
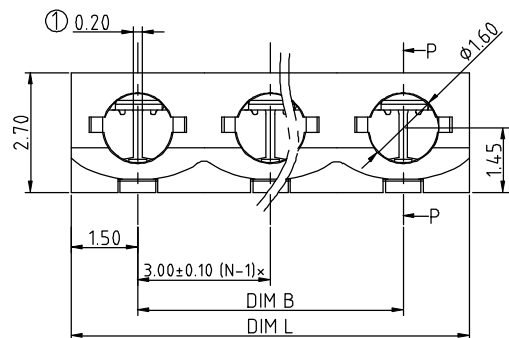



SIGN	DATE	DESCRIPTION	APPROVER
△	2015/11/26	修改白色料號編碼	Chenhao
THIS IS CAD DRAWING, DO NOT REVISE MANUALLY!!!			



SECTION P-P △

**Material**

- Item ③: Spring: PHBZ, Matte Tin plated over Nickel plated
- Item ⑤: Body: LCP (UL94V-0)
- Electrical UL(1977)
- Voltage rating: 150V
- Current rating: 3A
- Wire range:
- Solid wire(AWG): 22-26
- Wire strip length: 5-6mm
- Withstanding Voltage: 1.3KV
- Operating temperature: -40°C to +130°C
- Reflow Soldering temperature: 260°C/10 Sec max
- Safety Approval: 

**NQ xx 4 1 x 0 xxxx G**

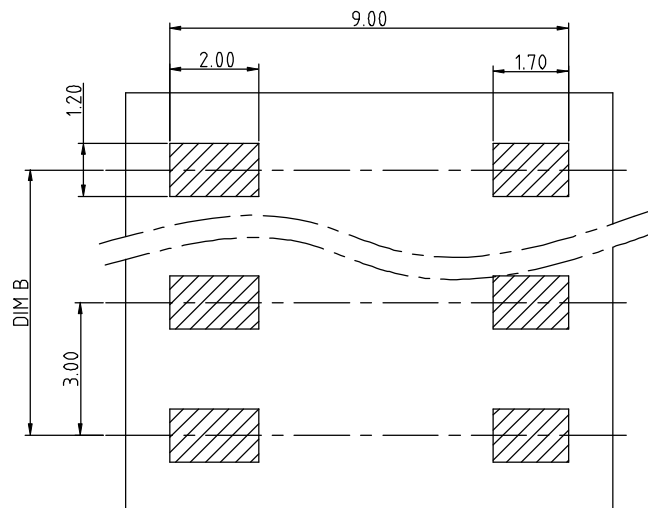
- |             |                    |                      |                  |
|-------------|--------------------|----------------------|------------------|
| Poles       | Color              | 000 0 Standard       | G RoHS compliant |
| 01: 1 Pole  | 0 Black (RAL9005)  | Any special item by  | (lead<4%)        |
| 02: 2 Poles | 1 Natural color    | customer request,    | In copper Alloy  |
| 03: 3 Poles | 8 Grey (RAL7044)   | please contact sales | department.      |
|             | B White (RAL 9010) |                      |                  |

N=Number of poles

Dim.L	$(N-1) \times 3.0 + 3.0$
Dim.B	$(N-1) \times 3.0$

POLES	DIM B	DIM L
1P	/	+/-0.10
2P	+/-0.10	+/-0.15
3P	+/-0.20	+/-0.20

TOLERANCE



P.C.B. LAYOUT

<b>ANYTEK</b>		<b>CUSTOMER COPY</b>	
		ALL RIGHTS RESERVED. REPRODUCTION OR ISSUE TO THIRD PARTIES IN ANY FORM WHATSOEVER IS NOT PERMITTED WITHOUT WRITTEN AUTHORITY FROM THE PROPRIETOR. PROPERTY OF ANYTEK TECHNOLOGY CO., LTD	
TITLE	NQ 3.0 LOW PROFILE SERIES (1-3P)		
PART NO.	NQxx41x0xxxxG	DWG NO.	8NQ0201
APPROVED	CHECKED	DESIGNED	DRAWN
		Chenhao 2015/11/26	Chenhao 2015/11/26
SHEET: 01/01		Tolerance	
REV.: C		UNIT: mm	X. ±0.50
		SCALE: NONE	X.X ±0.30
			X.XX ±0.10
			X° ±1°