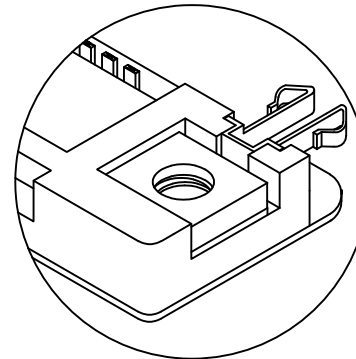
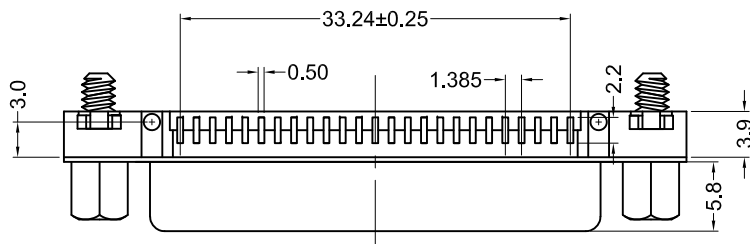
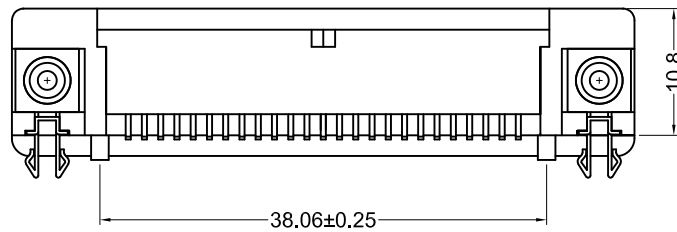


Recommended PCB Layout

Pin Number:

1 14 2 15 3 16 4 17 5 18 6 19 7 20 8 21 9 22 10 23 11 24 12 25 13



Fork Board Lock Type

**Material and Finish**

Insulator: High Temperature Thermoplastic with Glass-fiber Reinforcement, UL 94V-0 Rated, Color: Black

Shell: Steel, Nickel Plated

Contact Material: Socket - Phosphor Bronze

Contact Plating Options:  
Standard: Gold Flash on Mating End, Tin on Termination End, Nickel Underplate on Entire Contact

15 Option: 15u" Gold on Mating End, Tin on Termination End, Nickel Underplate on Entire Contact

30 Option: 30u" Gold on Mating End, Tin on Termination End, Nickel Underplate on Entire Contact

**Electrical Specifications**

Rated Current: 2A  
Rated Voltage: 30V RMS  
Insulation Resistance: 1000 Megohms Min. at 500V DC  
Contact Resistance: 13 milliohms Max.  
Dielectric Withstanding Voltage: 1000V for 1 Minute

**Mechanical Specifications**

Operating Temperature: -55°C to +105°C

**Installed Hardware**

Jackscrew: JSX-1055

Part Number	Plating	Packaging
K202XHT-B25S-NJ	Flash	Tubes
K202XHT-B25S-NJ15	15u"	Tubes
K202XHT-B25S-NJ30	30u"	Tubes
K202XHT-B25S-NJTR	Flash	Tape and Reel
K202XHT-B25S-NJ15TR	15u"	Tape and Reel
K202XHT-B25S-NJ30TR	30u"	Tape and Reel



Tolerances
X.X ± 0.25
X.XX ± 0.15
Unless Stated
Otherwise

REV.	DATE	DESCRIPTION	REV. BY	CHK. BY	DRAWN BY	DATE
A1	04/10/07	New Drawing	E. Canoy	H. MA	E. Canoy	04/10/07
B1	11/29/07	ECO #07-044	WILL_H	H. MA		
B2	05/22/08	ECO #08-042	S. Vien	H. MA		
B3	06/06/13	ECO #13-033	D. Gih	P. DalCanto		
B4	08/10/18	Address Update	G. Serrato	D. Shehan		

**K202XHT-B25S-NJ**

D-Sub, Right Angle, RoHS Compliant  
Low Profile, 25 Pin Female, SMT, Jackscrews

