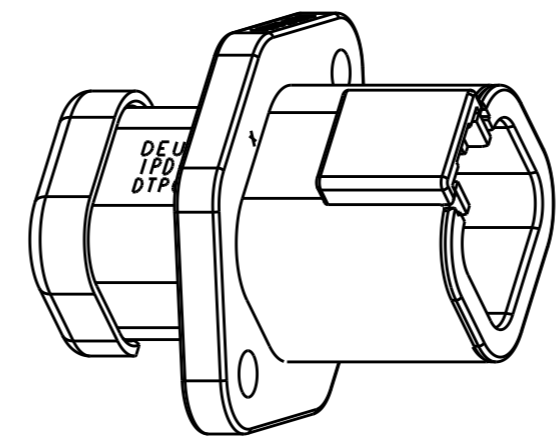
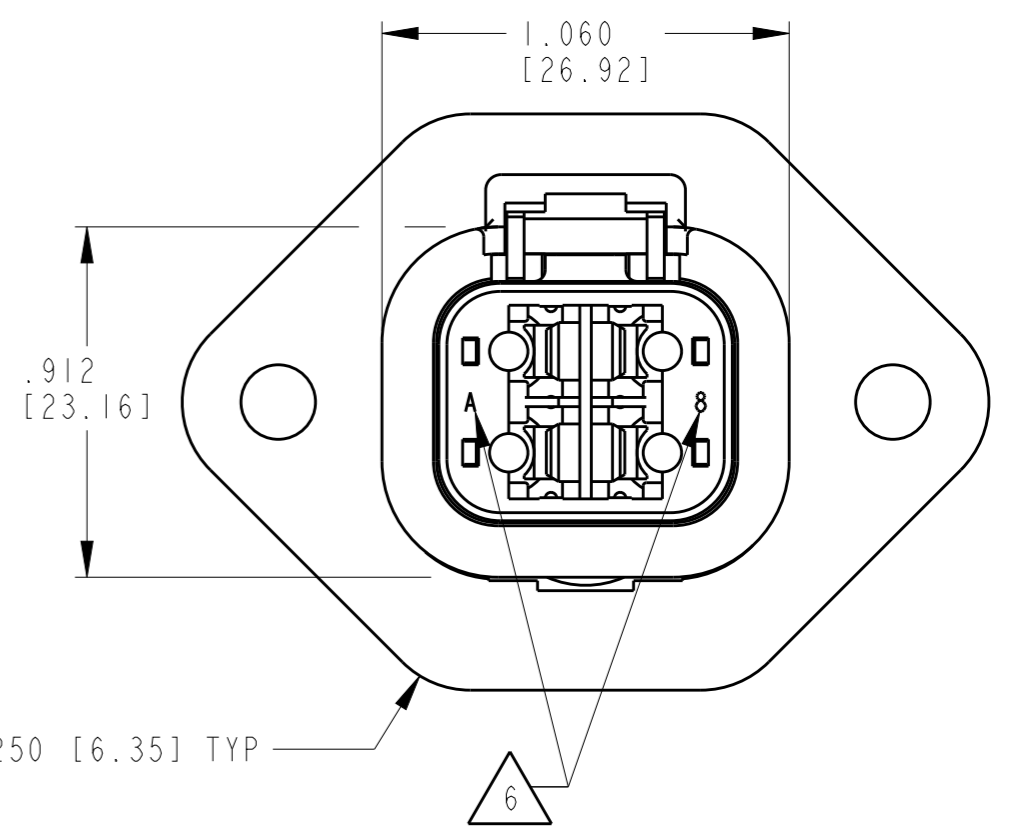
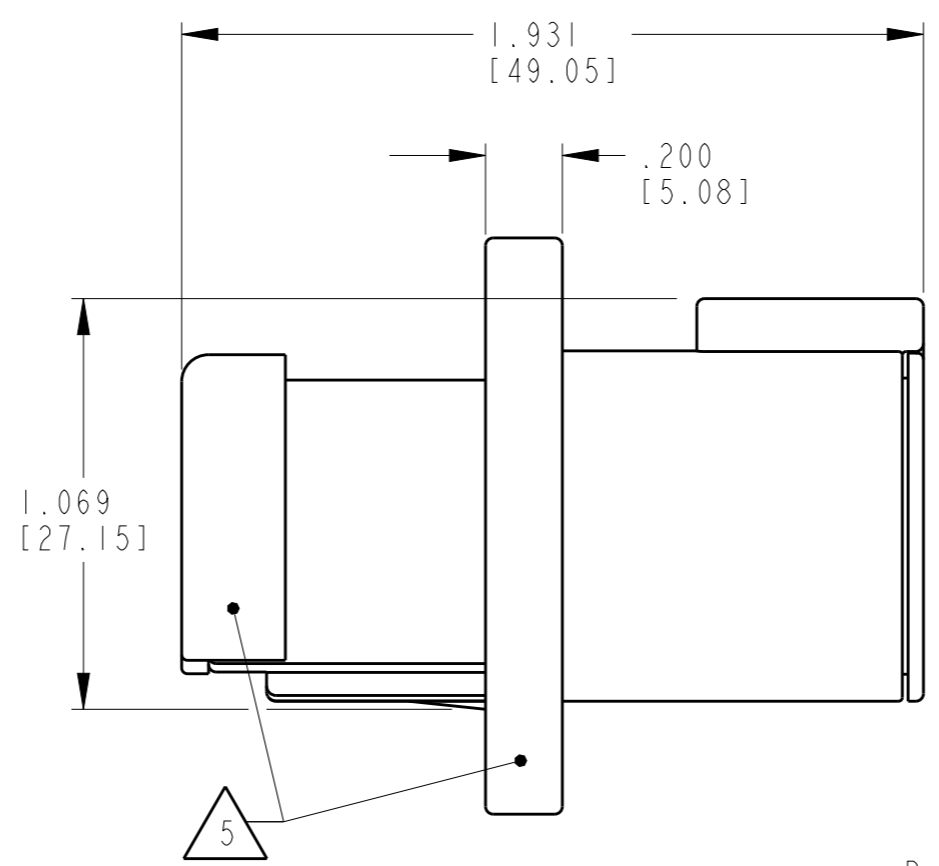
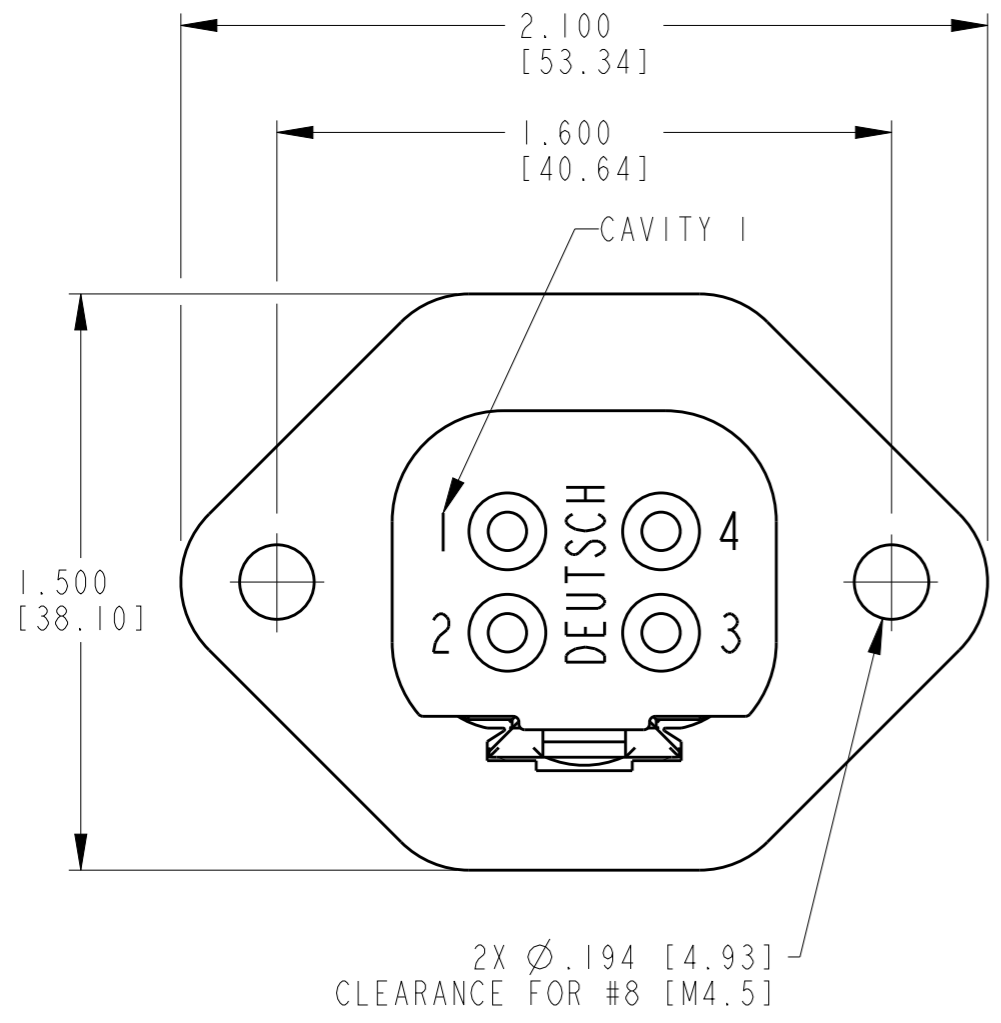


THIS DRAWING IS UNPUBLISHED
© COPYRIGHT 2015 BY - TE CONNECTIVITY ALL RIGHTS RESERVED.

2015

LOC	DIST
-	-

REVISIONS					
P	LTR	DESCRIPTION	DATE	DWN	APVD
	NC	NEW RELEASE PER E.O. PI8702	21OCT2004	-	RDR
	A	REVISED PER E.O. P20373	23DEC2009	-	RDR
	B	REVISED PER ECO-15-003592	09APR2015	VNB	DM



SCALE 1:1

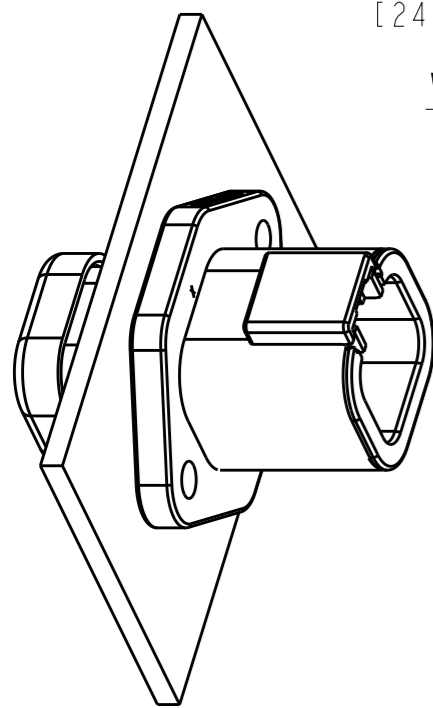
- 6. DATE CODE: MONTH IS REPRESENTED BY SEQUENTIAL ALPHA CHARACTERS. EX: A=JANUARY; YEAR IS REPRESENTED BY LAST NUMERICAL DIGIT. EX: 8=2008
- 5. MODIFICATION: END CAP AND FLANGE ADDED.
- 4. MATERIAL: RECEPTACLE HOUSING, END CAP, FLANGE: PA 66 GF15 (GRAY)
GROMMET: SILICONE (ORANGE-RED)
INTERFACE SEAL: SILICONE, PHENYL FLUID LUBRICATED (GREEN)
- 3. THIS RECEPTACLE MATES WITH DTP06-4S-XXXX PLUG. (XXXX = ALL MODIFICATIONS)
- 2. SECONDARY WEDGE LOCK SOLD SEPARATELY, WP-4P.
- 1. DIMENSION TOLERANCE: ±.025 [.64],
PANEL CUTOUT: ±.010 [.25]. SEE SHEET 2.

		TE INTERNAL PN	DEUTSCH PN
		DTP04-4P-LE07	DTP04-4P-LE07
CONTACT SIZE	MIN. INSUL. O.D.	MAX INSUL. O.D.	WIRE RANGE [mm ²] REF ONLY
12	.134 [3.40]	.170 [4.32]	10-14 AWG [5.0-2.0]

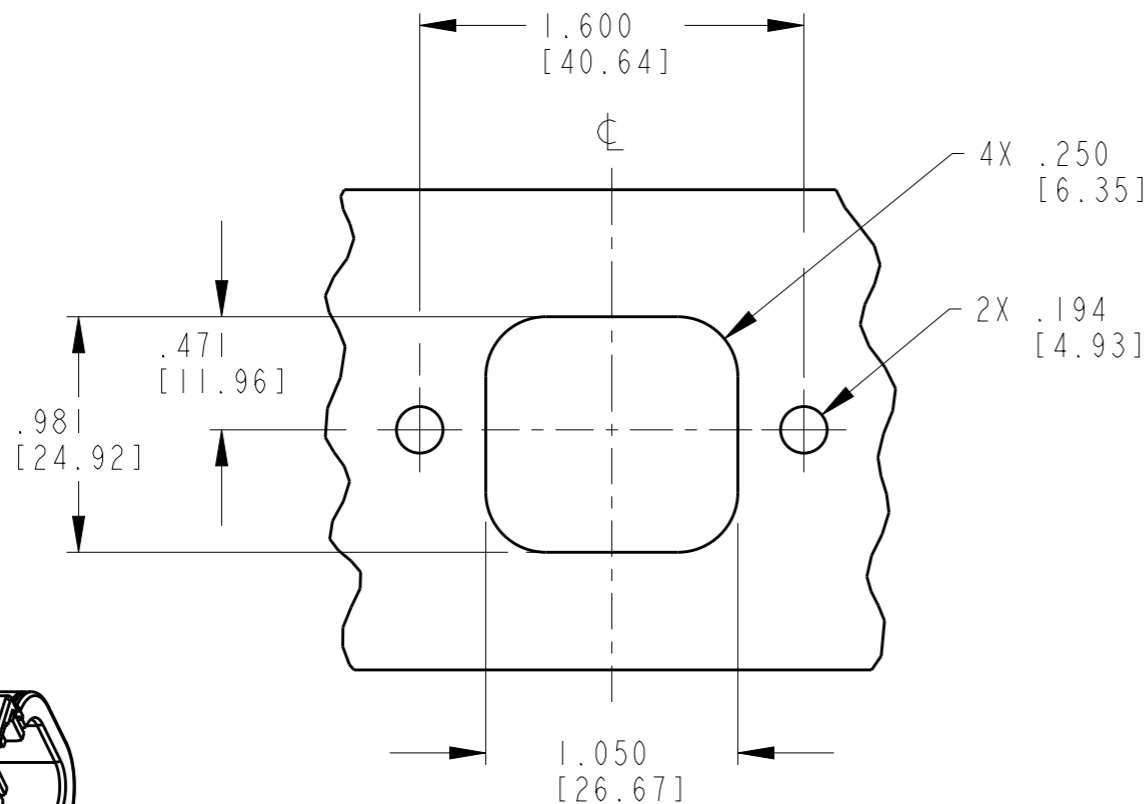
THIS DRAWING IS A CONTROLLED DOCUMENT.		DWN D. MEYER 23SEP2004	TE TE Connectivity	
DIMENSIONS: INCHES [mm]		CHK B. BYFORD 23DEC2009		
TOLERANCES UNLESS OTHERWISE SPECIFIED:		APVD R. REED 03DEC2009	NAME RECEPTACLE 4 CONTACTS, SIZE 12 -LE07 MOD DTP SERIES	
0 PLC ± 1 PLC ± 2 PLC ± 3 PLC ± 4 PLC ± ANGLES ±		PRODUCT SPEC -	SIZE A3 CAGE CODE 4AFU8 DRAWING NO. DTP04-4P-LE07 RESTRICTED TO -	
MATERIAL 4		APPLICATION SPEC -	SCALE 2:1 SHEET 1 OF 2 REV B	
FINISH -		WEIGHT 19.49g	Customer Drawing	

THIS DRAWING IS UNPUBLISHED
 © COPYRIGHT 2015 BY - TE CONNECTIVITY ALL RIGHTS RESERVED.
 RELEASED FOR PUBLICATION 2015

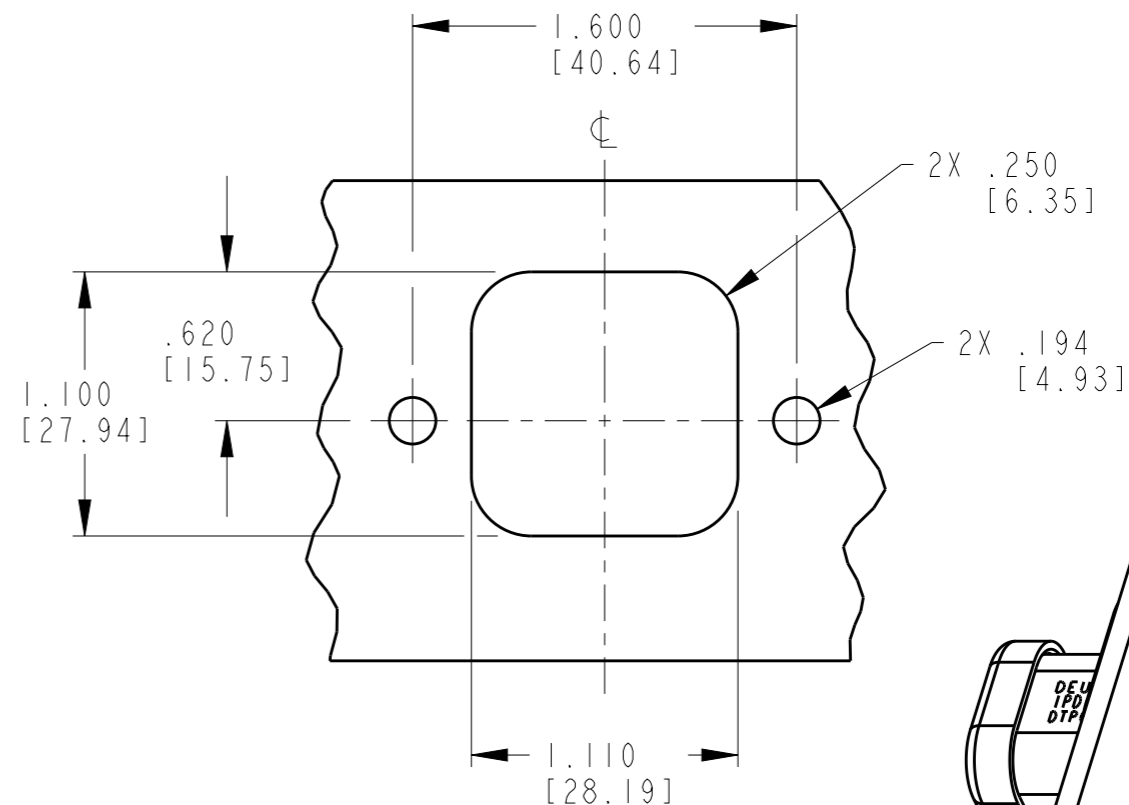
LOC	DIST	REVISIONS					
		P	LTR	DESCRIPTION	DATE	DWN	APVD
-	-	-	-	SEE SHEET 1	-	-	-



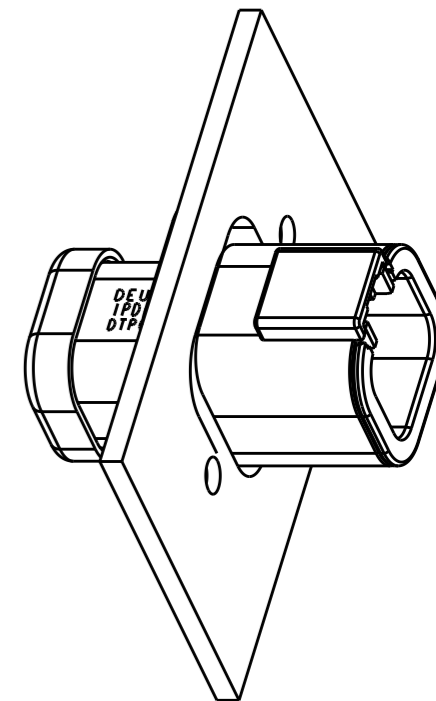
FRONT MOUNT
REFERENCE VIEW




RECOMMENDED CUTOUT
FRONT MOUNT



RECOMMENDED CUTOUT
REAR MOUNT



REAR MOUNT
REFERENCE VIEW

THIS DRAWING IS A CONTROLLED DOCUMENT.		DWN D. MEYER 23SEP2004	 TE Connectivity													
DIMENSIONS: INCHES [mm]		CHK B. BAYFORD 23DEC2009														
TOLERANCES UNLESS OTHERWISE SPECIFIED:		APVD R. REED 03DEC2009	NAME RECEPTACLE 4 CONTACTS, SIZE 12 -LE07 MOD DTP SERIES													
<table border="0"> <tr><td>0 PLC</td><td>±-</td></tr> <tr><td>1 PLC</td><td>±-</td></tr> <tr><td>2 PLC</td><td>±</td></tr> <tr><td>3 PLC</td><td>±</td></tr> <tr><td>4 PLC</td><td>±-</td></tr> <tr><td>ANGLES</td><td>±-</td></tr> </table>		0 PLC	±-	1 PLC	±-	2 PLC	±	3 PLC	±	4 PLC	±-	ANGLES	±-	PRODUCT SPEC -	SIZE A3	
0 PLC	±-															
1 PLC	±-															
2 PLC	±															
3 PLC	±															
4 PLC	±-															
ANGLES	±-															
MATERIAL		APPLICATION SPEC -	CAGE CODE 4AFU8	DRAWING NO DTP04-4P-LE07												
FINISH -		WEIGHT -	RESTRICTED TO -													
Customer Drawing			SCALE 2:1	SHEET 2 OF 2												
			REV B													