



**ANATECH ELECTRONICS INC**  
RF & Microwave Filters & Products

## 602.98 MHz LC Bandpass Filter

Part Number: AE602.98B10196



### Electrical Specifications

**Center Frequency:** 602.98 MHz  
**Bandwidth:** 10 MHz  
**Passband :** 598 MHz to 608 MHz  
**Insertion Loss:**  $\leq 4.0\text{dB}$  @ 602.98 MHz  
**Return Loss:**  $>14\text{dB}$  @ 598 MHz to 608 MHz  
**Rejection:**  $>35\text{dB}$  @ 0-559 MHz  
**Rejection2:**  $>95\text{dB}$  @ 650 MHz to 2000 MHz  
**Impedance:** 50 Ohms

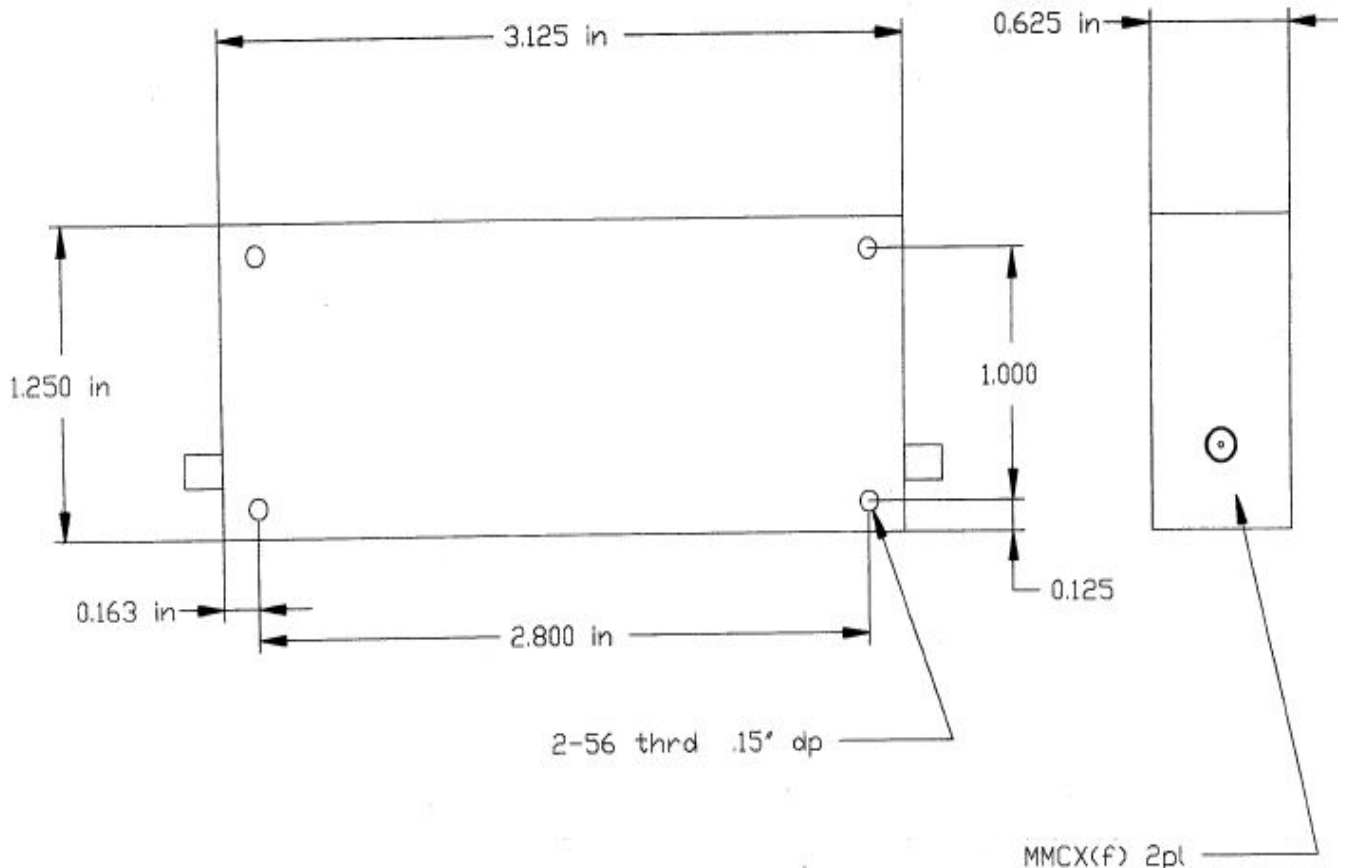
### Mechanical

**Mounting Method:** Threaded Mounting Holes  
**Connector Type:** MMCX(F)  
**Dimensions:** 3.125" x 1.25" x 0.625" in.

### Environmental

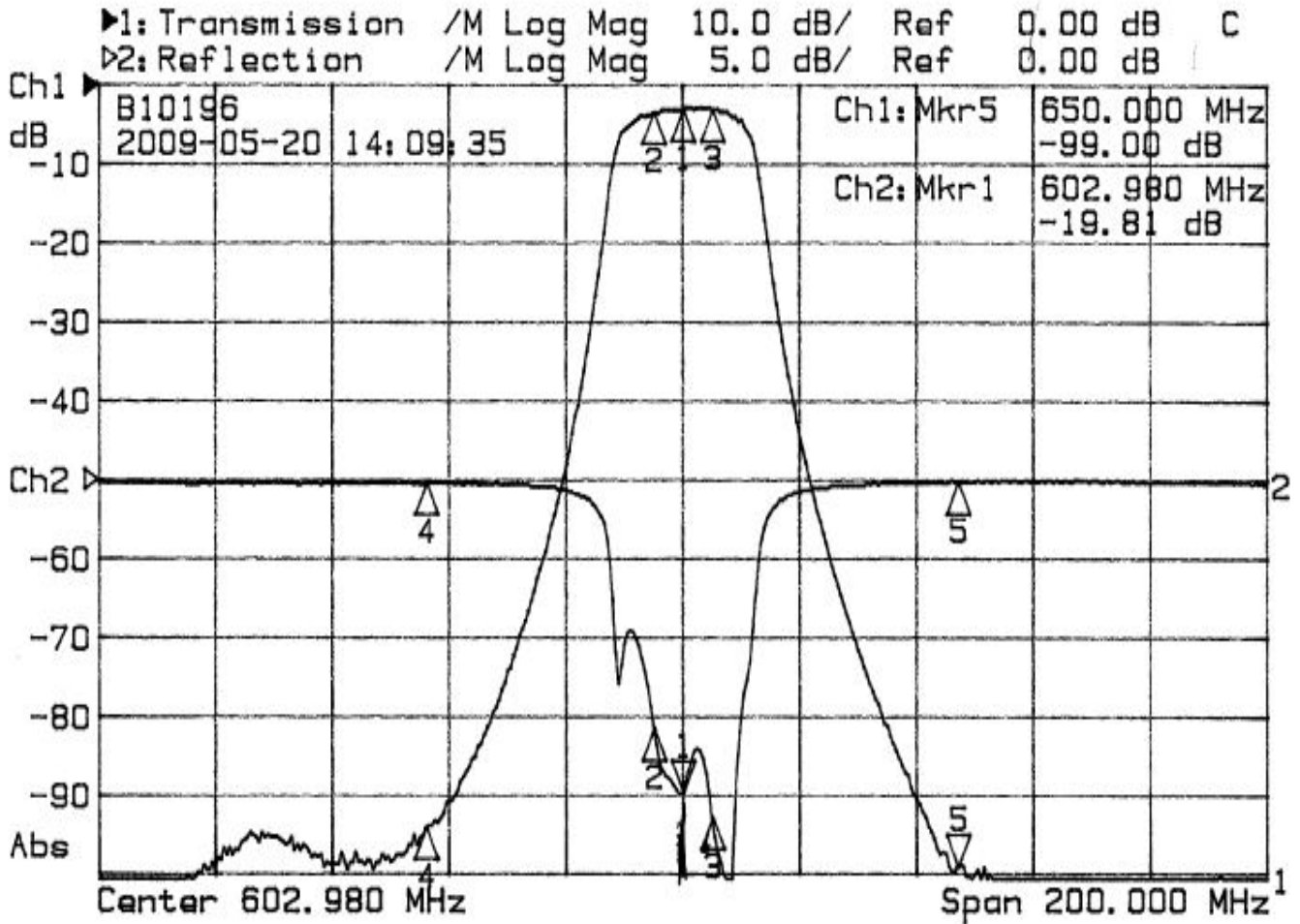
**Operating Temperature:**  $-25^{\circ}\text{C}$  to  $+70^{\circ}\text{C}$   
**Storage Temperature:**  $-40^{\circ}\text{C}$  to  $+90^{\circ}\text{C}$   
**Shock:** 10 G. 11ms  
**Vibration:** 10 G. 5 to 200Hz

### Outline Drawing:





**Response Plot:**



1: Mkr (MHz)	dB	2: Mkr (MHz)	dB
1: 602.98	-3.03	1> 602.98	-19.81
2: 598.00	-3.54	2: 598.00	-15.73
3: 608.00	-3.05	3: 608.00	-21.40
4: 559.00	-94.17	4: 559.00	-0.20
5> 650.00	-99.00	5: 650.00	-0.10