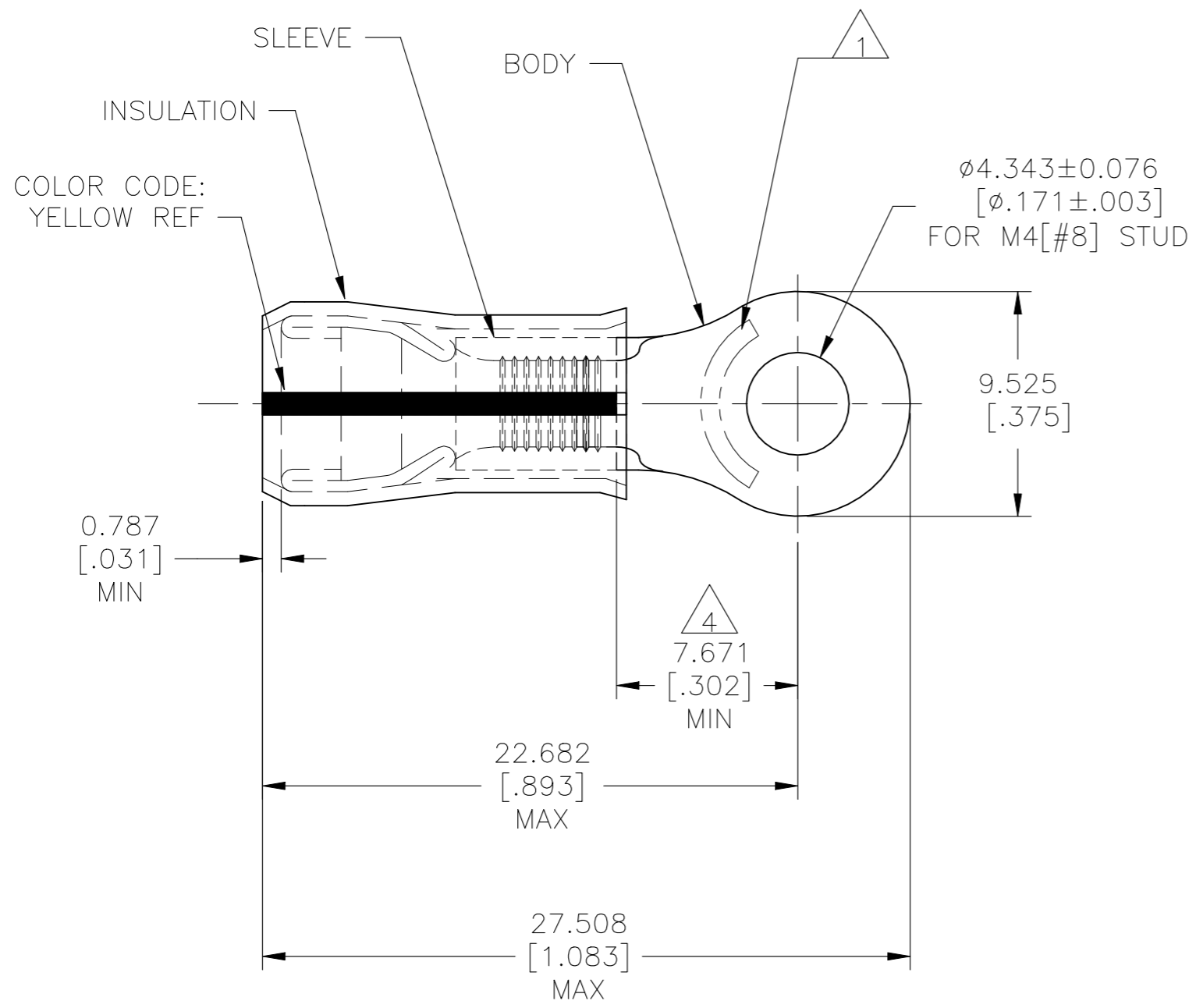


P	LTR	DESCRIPTION	DATE	DWN	APVD
	S5	REVISED PER ECN-22-150900	28APR2022	RK	CSD



- 1 STAMP AMP 12-10* APPROX AS SHOWN
- 2 WIRE INSULATION DIA: "A" (SEE TABLE)
- 3 BODY MATERIAL THK: 0.991±0.051 [.039±.002]
- 4 APPLIES FROM EDGE OF METAL WIRE BARREL TO CENTER OF STUD HOLE
- 5 MEETS M7928/4-156, CLASS 1 & 2
MEETS M7928/13-156, CLASS 1 & 2
- 6 NOTE DELETED
- 7 MATERIAL:
BODY & SLEEVE: COPPER PER ASTM B152
INSULATION: PVF2
- 8 FINISH:
BODY & SLEEVE: TIN-LEAD (93-7) PLATE
PER ASTM B545
(3% MIN LEAD CONTENT)
INSULATION: COLOR - NATURAL

2500	ON TAPE	3.810-5.842	53424-2
500	LOOSE PIECE	[.150-.230]	5 53424-1
QTY	PACKAGE TYPE	"A"	PART NO

AMP INCORPORATED CUSTOMER SERVICE SYSTEMS		MAX RECOMMENDED OPERATING TEMPERATURE: 150°C [302°F] MAX	THIS DRAWING IS A CONTROLLED DOCUMENT.		DWN JR RUTH 16OCT07	STE TE Connectivity						
FOR ADDITIONAL PRODUCT INFORMATION OR COPIES OF DRAWINGS AND TECHNICAL DOCUMENTS	PRODUCT INFORMATION CENTER 1-800-522-6752	VOLTAGE RATING: -	DIMENSIONS: mm [INCHES]	TOLERANCES UNLESS OTHERWISE SPECIFIED:	CHK T MICHELUTTI 16OCT07	NAME TERMINAL, RING TONGUE, PVF2, P.I.D.G. WIRE SIZE: 12-10 AWG						
FOR APPLICATION TOOLING INFORMATION	TOOLING ASSISTANCE CENTER 1-800-722-1111	CIRCULAR MIL AREA: 2.62-6.64mm² [5,180-13,100] STRANDED		0 PLC ± - 1 PLC ± - 2 PLC ± - 3 PLC ± 0.127[.005] 4 PLC ± - ANGLES ± -	APVD T MICHELUTTI 16OCT07							
FOR ORDER ENTRY	1-800-526-5142	THIS DRAWING IS A CONTROLLED DOCUMENT FOR AMP INCORPORATED. IT IS SUBJECT TO CHANGE AND THE CONTROLLING ENGINEERING ORGANIZATION SHOULD BE CONTACTED FOR THE LATEST REVISION.		MATERIAL	FINISH	SIZE A3	CAGE CODE 00779	DRAWING NO C-53424	RESTRICTED TO	SCALE 4:1	SHEET 1 OF 1	REV S5