

Housing - HC-HPR-D07-BFH-EMR-BK - 1424637

Please be informed that the data shown in this PDF Document is generated from our Online Catalog. Please find the complete data in the user's documentation. Our General Terms of Use for Downloads are valid (<http://phoenixcontact.com/download>)



Panel mounting base D7, material: Zinc die-cast, height: 24.3 mm, cable gland: none, protective cover: no, Railway applications, for increased environmental and EMC requirements, Series HPR

Your advantages

- ✔ Vibration and shock: IEC 61373/EN 50155, category 1, class 1B



Key Commercial Data

Packing unit	1 pc
GTIN	
GTIN	4055626375663

Technical data

Dimensions

Height	24.3 mm
Width	32.2 mm
Length	45.4 mm
Length of the assembly cutout	22 mm
Width of the assembly cutout	22 mm

Ambient conditions

Degree of protection (IP)	IP66 (with sealing screw)
	IP68 (0.4 bar / 30 min. with sealing screw)
	IP69K (ISO 20653:2013-02)
Ambient temperature (operation)	-40 °C ... 125 °C

General

Note	for contact inserts HC-D7, D8, A3, A4, HS2-D7, Q5, Q7, Q12
Size	D7
Housing type	Panel mounting base

Housing - HC-HPR-D07-BFH-EMR-BK - 1424637

Technical data

General

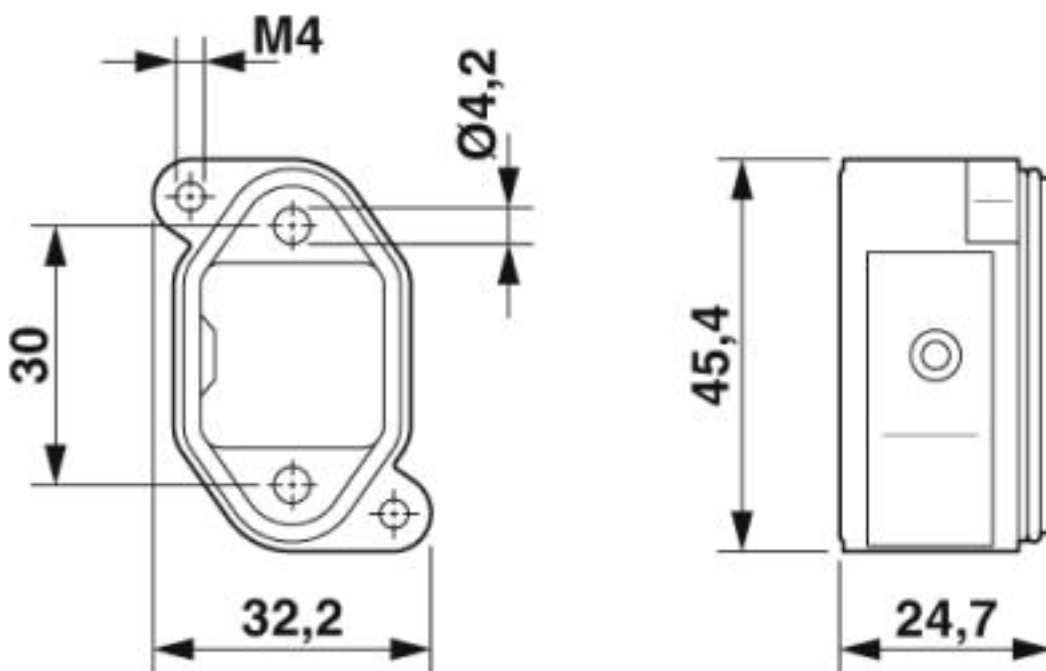
Color	black
Screw connection	none
Protective cover	no
Material	Zinc die-cast
Housing material	Zinc die-cast
Housing surface material	Powder-coated, black
Seal material	NBR
Assembly instructions	M4 locking screw, slotted hexagon head screw (wrench size 7), tightening torque: 1 Nm. The seal of the pin contact insert should be removed. Max. thread length of the screw connection: 6 mm
Connection	Mount contact insert with sealing screw in the housing

Environmental Product Compliance

China RoHS	Environmentally friendly use period: unlimited = EFUP-e
	No hazardous substances above threshold values

Drawings

Dimensional drawing



Dimensional drawing

Approvals

Approvals

Housing - HC-HPR-D07-BFH-EMR-BK - 1424637

Approvals

Approvals

EAC

Ex Approvals

Approval details

EAC		EAC-Zulassung
-----	---	---------------

Phoenix Contact 2019 © - all rights reserved
<http://www.phoenixcontact.com>

PHOENIX CONTACT GmbH & Co. KG
Flachsmarktstr. 8
32825 Blomberg
Germany
Tel. +49 5235 300
Fax +49 5235 3 41200
<http://www.phoenixcontact.com>