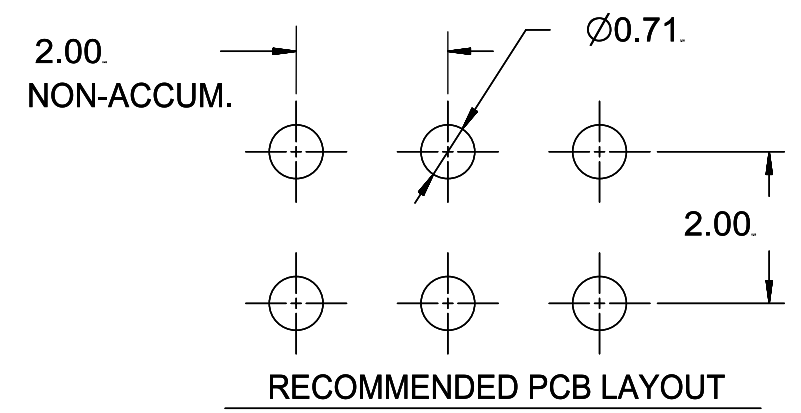
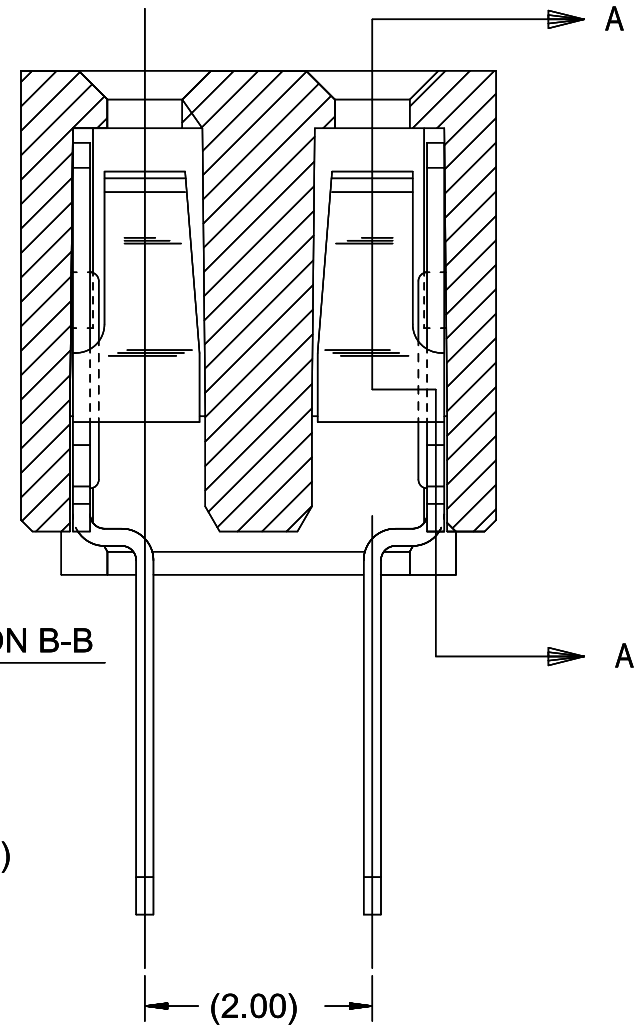
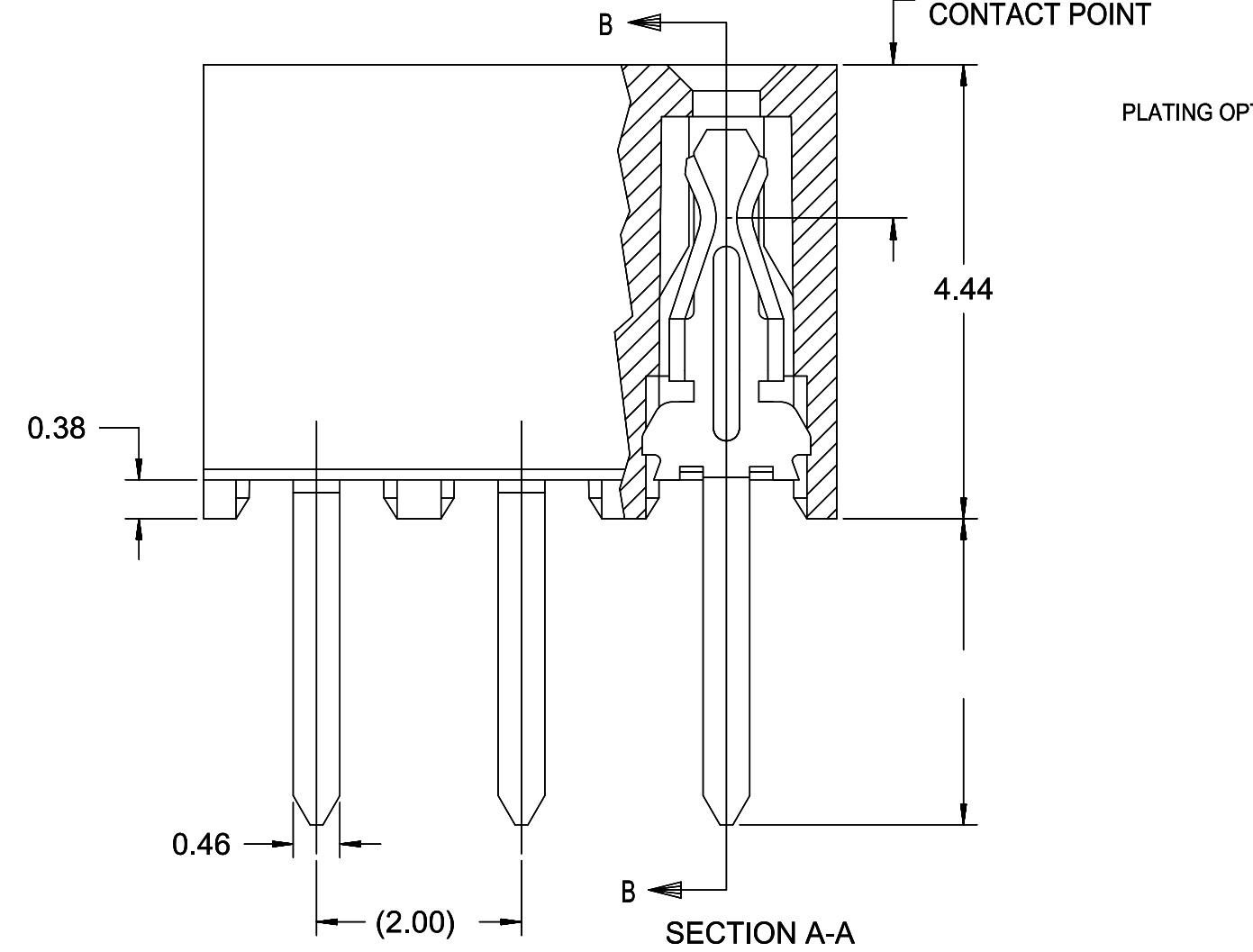
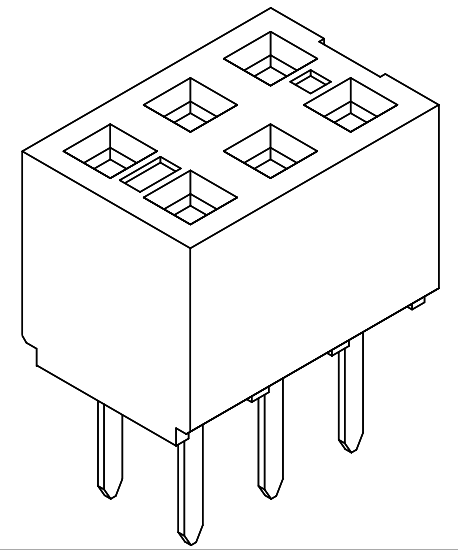


SECTION B-B



- NOTES:
- 1) HOUSING MATERIAL: GLASS FILLED HIGH TEMP THERMOPLASTIC, COLOR: BLACK
 - 2) TERMINAL MATERIAL: PHOSPHOR BRONZE
 - 3) SEE SHT 2&3 FOR CKT SIZE, PART NUMBERS AND OVERALL DIMENSIONS, SEE SHT 4 FOR VOIDS.
 - 4) FOR ILLUSTRATION, 6 CKT ASSY SHOWN.
 - 5) REFER TO PRODUCT SPEC PS-79107
 - 6) PACKAGING SPECIFICATION:
TUBE: PK-70873-0180
T&R: 791070001
 - 7) CKTS NUMBERED FROM LEFT TO RIGHT WHEN PART IS VIEWED FROM TOP WITH RECESS ON THE RIGHT
 - 8) SOLDER TAIL TO BE MEASURED BY PITCH GAUGE.



PLATING OPTION:

- PLATING OPTIONS:
- 4 - 0.76µM MIN. GOLD PLATE IN SELECTED AREA
1.90µM MIN. TIN PLATE IN SELECTED AREA
OVER 1.25µM MIN. NICKEL OVERALL
 - 5 - 0.38µM MIN. GOLD PLATE IN SELECTED AREA
1.90µM MIN. TIN PLATE IN SELECTED AREA
OVER 1.25µM MIN. NICKEL OVERALL
 - 6 - 0.05µM MIN. GOLD PLATE IN SELECTED AREA
1.02µM MIN. TIN PLATE IN SELECTED AREA
OVER 1.02µM MIN. NICKEL OVERALL

THIS DRAWING CONTAINS INFORMATION THAT IS PROPRIETARY TO MOLEX ELECTRONIC TECHNOLOGIES, LLC AND SHOULD NOT BE USED WITHOUT WRITTEN PERMISSION															
QUALITY SYMBOLS	SHT3: ADD 79107-7417	EC NO: 173923	DRWN: GMENARLY	CHKD: ISHWARG	APPR: ISHWARG	GENERAL TOLERANCES (UNLESS SPECIFIED)		DIMENSION UNITS	SCALE	 2MM DUAL ROW VERTICAL RECEPTACLE T/H PRODUCT CUSTOMER DRAWING					
						ANGULAR TOL ± 0.5 °		MM	NTS						
▽ = 0	▽ = 0	▽ = 1	▼ = 0	▽ = 0	▽ = 0	4 PLACES ±	3 PLACES ±	2 PLACES ± 0.25	1 PLACE ±				0 PLACES ±	DRWN BY	DATE
⊠ = 0	■ = 0	▽ = 0	□ = 0	□ = 0	□ = 0	DRAFT WHERE APPLICABLE MUST REMAIN WITHIN DIMENSIONS		WAZ					1989/05/15	CHK'D BY	DATE
▽ = 0											APPR BY	DATE			
											WAZ	1989/05/15			
											DRAWING SIZE	THIRD ANGLE PROJECTION			
											B				
											SERIES	MATERIAL NUMBER	CUSTOMER		
											79107	SEE TABLE	GENERAL MARKET		
											DOCUMENT NUMBER	DOC TYPE	DOC PART	SHEET NUMBER	
											SDA-79107-++++	PSD	001	1 OF 4	

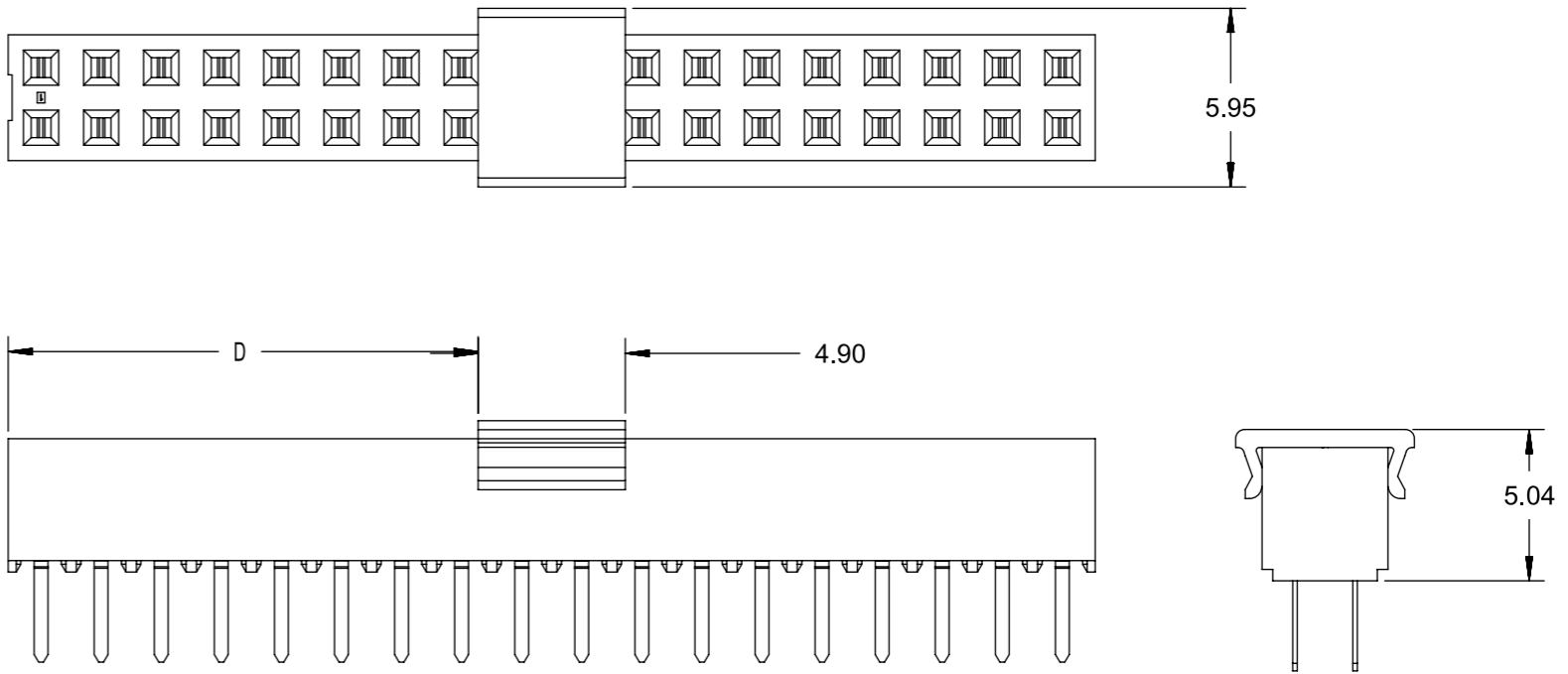
ASSEMBLY WITHOUT CAP IN TUBE

CKT SIZE	DIM A	DIM B	PC TAIL DIMENSION "C" = 3.00			PC TAIL DIMENSION "C" = 1.90				
			PLATING OPTION: 5	PLATING OPTION: 4	PLATING OPTION: 6	PLATING OPTION: 5	PLATING OPTION: 4	PLATING OPTION: 6		
04	4.19	2.00	79107-7001	79107-7051	X	79107-7126	79107-7201	79107-7251	X	79107-7326
06	6.19	4.00	79107-7002	79107-7052	X	79107-7127	79107-7202	79107-7252	X	79107-7327
08	8.19	6.00	79107-7003	79107-7053	X	79107-7128	79107-7203	79107-7253	X	79107-7328
10	10.19	8.00	79107-7004	79107-7054	X	79107-7129	79107-7204	79107-7254	X	79107-7329
12	12.19	10.00	79107-7005	79107-7055		79107-7130	79107-7205	79107-7255		79107-7330
14	14.19	12.00	79107-7006	79107-7056	X	79107-7131	79107-7206	79107-7256	X	79107-7331
16	16.19	14.00	79107-7007	79107-7057	X	79107-7132	79107-7207	79107-7257	X	79107-7332
18	18.19	16.00	79107-7008	79107-7058	X	79107-7133	79107-7208	79107-7258	X	79107-7333
20	20.19	18.00	79107-7009	79107-7059	X	79107-7134	79107-7209	79107-7259	X	79107-7334
22	22.19	20.00	79107-7010	79107-7060	X	79107-7135	79107-7210	79107-7260	X	79107-7335
24	24.19	22.00	79107-7011	79107-7061	X	79107-7136	79107-7211	79107-7261	X	79107-7336
26	26.19	24.00	79107-7012	79107-7062	X	79107-7137	79107-7212	79107-7262	X	79107-7337
28	28.19	26.00	79107-7013	79107-7063	X	79107-7138	79107-7213	79107-7263	X	79107-7338
30	30.19	28.00	79107-7014	79107-7064	X	79107-7139	79107-7214	79107-7264	X	79107-7339
32	32.19	30.00	79107-7015	79107-7065	X	79107-7140	79107-7215	79107-7265	X	79107-7340
34	34.19	32.00	79107-7016	79107-7066	X	79107-7141	79107-7216	79107-7266	X	79107-7341
36	36.19	34.00	79107-7017	79107-7067	X	79107-7142	79107-7217	79107-7267	X	79107-7342
38	38.19	36.00	79107-7018	79107-7068	X	79107-7143	79107-7218	79107-7268	X	79107-7343
40	40.19	38.00	79107-7019	79107-7069	X	79107-7144	79107-7219	79107-7269	X	79107-7344
42	42.19	40.00	79107-7020	79107-7070	X	79107-7145	79107-7220	79107-7270	X	79107-7345
44	44.19	42.00	79107-7021	79107-7071	X	79107-7146	79107-7221	79107-7271	X	79107-7346
46	46.19	44.00	79107-7022	79107-7072	X	79107-7147	79107-7222	79107-7272	X	79107-7347
48	48.19	46.00	79107-7023	79107-7073	X	79107-7148	79107-7223	79107-7273	X	79107-7348
50	50.19	48.00	79107-7024	79107-7074	X	79107-7149	79107-7224	79107-7274	X	79107-7349

QUALITY SYMBOLS	THIS DRAWING CONTAINS INFORMATION THAT IS PROPRIETARY TO MOLEX ELECTRONIC TECHNOLOGIES, LLC AND SHOULD NOT BE USED WITHOUT WRITTEN PERMISSION																					
<table style="width: 100%; border-collapse: collapse;"> <tr><td style="text-align: center;">▽^A = 0</td></tr> <tr><td style="text-align: center;">▽^E = 0</td></tr> <tr><td style="text-align: center;">▽^P = 0</td></tr> <tr><td style="text-align: center;">▼ = 0</td></tr> <tr><td style="text-align: center;">▽^C = 0</td></tr> <tr><td style="text-align: center;">⊗ = 0</td></tr> <tr><td style="text-align: center;">■ = 0</td></tr> <tr><td style="text-align: center;">▽^Q = 0</td></tr> </table>	▽ ^A = 0	▽ ^E = 0	▽ ^P = 0	▼ = 0	▽ ^C = 0	⊗ = 0	■ = 0	▽ ^Q = 0	SHT3: ADD 79107-7417 EC NO: 173923 DRWN: GMENARLY CHK'D: ISHWARG APPR: ISHWARG	2017/11/27 2018/03/23 2018/03/23	GENERAL TOLERANCES (UNLESS SPECIFIED) ANGULAR TOL ± 0.5 ° 4 PLACES ± 3 PLACES ± 2 PLACES ± 0.25 1 PLACE ± 0 PLACES ± DRAFT WHERE APPLICABLE MUST REMAIN WITHIN DIMENSIONS	DIMENSION UNITS MM	SCALE NTS	DRWN BY AAB	DATE 1989/05/15	CHK'D BY MJM	DATE 1989/05/15	APPR BY WAZ	DATE 1989/05/15	DRAWING SIZE A3	THIRD ANGLE PROJECTION 	molex®
▽ ^A = 0																						
▽ ^E = 0																						
▽ ^P = 0																						
▼ = 0																						
▽ ^C = 0																						
⊗ = 0																						
■ = 0																						
▽ ^Q = 0																						
2MM DUAL ROW VERTICAL RECEPTACLE T/H																						
PRODUCT CUSTOMER DRAWING																						
SERIES	MATERIAL NUMBER		CUSTOMER																			
79107	SEE TABLE		GENERAL MARKET																			
DOCUMENT NUMBER								DOC TYPE	DOC PART	SHEET NUMBER												
SDA-79107-++++								PSD	001	2 OF 4												

ASSEMBLY WITH CAP IN TAPE & REEL

CKT SIZE	ASSEMBLY PART NO	DIM A	DIM B	DIM C	DIM D	PLATING OPTION
36	79107-7417	36.19	34.00	3.00	15.65	5



THIS DRAWING CONTAINS INFORMATION THAT IS PROPRIETARY TO MOLEX ELECTRONIC TECHNOLOGIES, LLC AND SHOULD NOT BE USED WITHOUT WRITTEN PERMISSION															
QUALITY SYMBOLS ▽ _A = 0 ▽ _E = 0 ▽ _F = 0 ▼ = 0 ▽ _C = 0 ⊗ = 0 ■ = 0 ▽ = 0	SHT3: ADD 79107-7417 EC NO: 173923 DRWN: GMENARLY CHK'D: ISHWARG APPR: ISHWARG	GENERAL TOLERANCES (UNLESS SPECIFIED) ANGULAR TOL ± 0.5 °		DIMENSION UNITS	SCALE										
		MM	NTS	2MM DUAL ROW VERTICAL RECEPTACLE T/H											
		DRWN BY: AAB DATE: 1989/05/15 CHK'D BY: MJM DATE: 1989/05/15 APPR BY: WAZ DATE: 1989/05/15		PRODUCT CUSTOMER DRAWING											
		DRAFT WHERE APPLICABLE MUST REMAIN WITHIN DIMENSIONS		DRAWING SIZE	THIRD ANGLE PROJECTION	SERIES	MATERIAL NUMBER	CUSTOMER							
		H4		A3		79107	SEE TABLE	GENERAL MARKET							
						DOCUMENT NUMBER		DOC TYPE	DOC PART	SHEET NUMBER					
				SDA-79107-++++		PSD	001	3 OF 4							

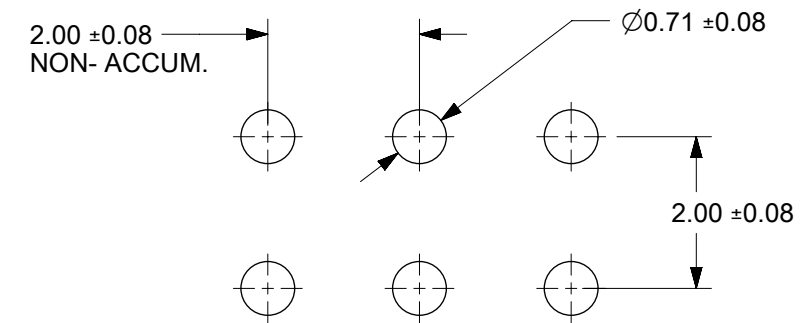
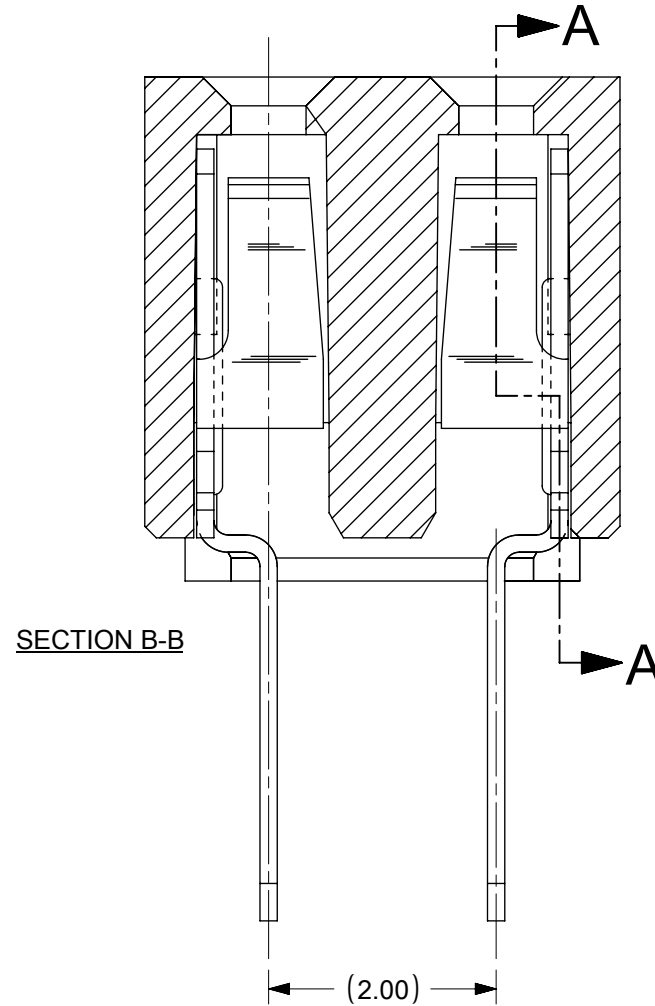
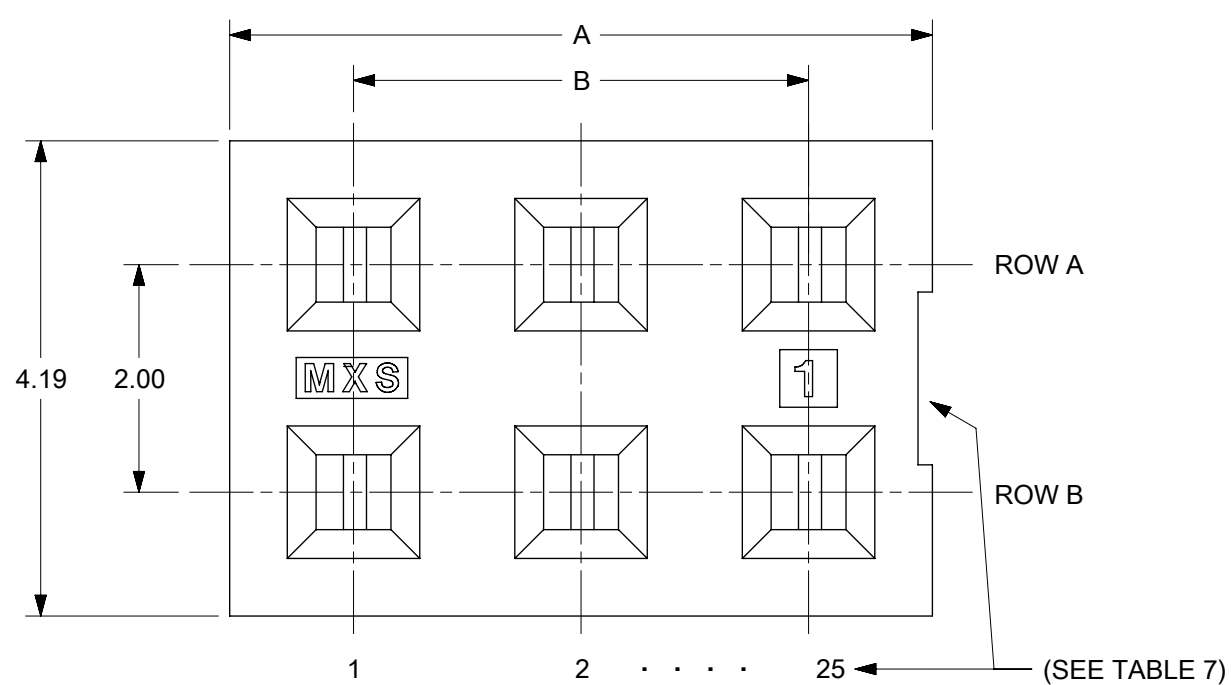
MOLDED VOID OPTION ASSEMBLIES WITHOUT PEGS

CKT SIZE	ASSEMBLY	HOUSING		VOID LOCATION(S) SEE SHEET 1 FOR CONVENTION		TERMINAL		PLATING OPTIONS	DIM A	DIM B	DIM C PC TAIL
		EDP NO.	ENG. NO	ROW	CKT. NO. (S)	EDP NO.	ENG. NO				
24	79107-5101	050-40-1422	79105-0501	ROW B	6	791061012	79106-1012	5	24.19	22.00	3.00
10	79107-5102	050-40-1410	79105-0504	ROW A	5	791061012	79106-1012	5	10.19	8.00	3.00
26	79107-5103	050-40-1426	79105-0505	ROW B	5	791061012	79106-1012	5	26.19	24.00	3.00
20	79107-5104	79105-0510	79105-0510	ROW A	7	791061112	79106-1112	5	20.19	18.00	1.91
24	79107-5105	79105-0511	79105-0511	ROW B	10	791061112	79106-1112	5	24.19	22.00	1.91
20	79107-5106	79105-0510	79105-0510	ROW A	7	791061012	79106-1012	5	20.19	18.00	3.00
24	79107-5107	79105-0511	79105-0511	ROW B	10	791061012	79106-1012	5	24.19	22.00	3.00

NOTES:

1. TERMINALS WILL BE PRESENT IN VOIDED LOCATIONS. HOWEVER, PIN WINDOWS WILL BE CLOSED
2. VOIDS CAN ONLY BE PRESENT IN ONE ROW OF A CONNECTOR

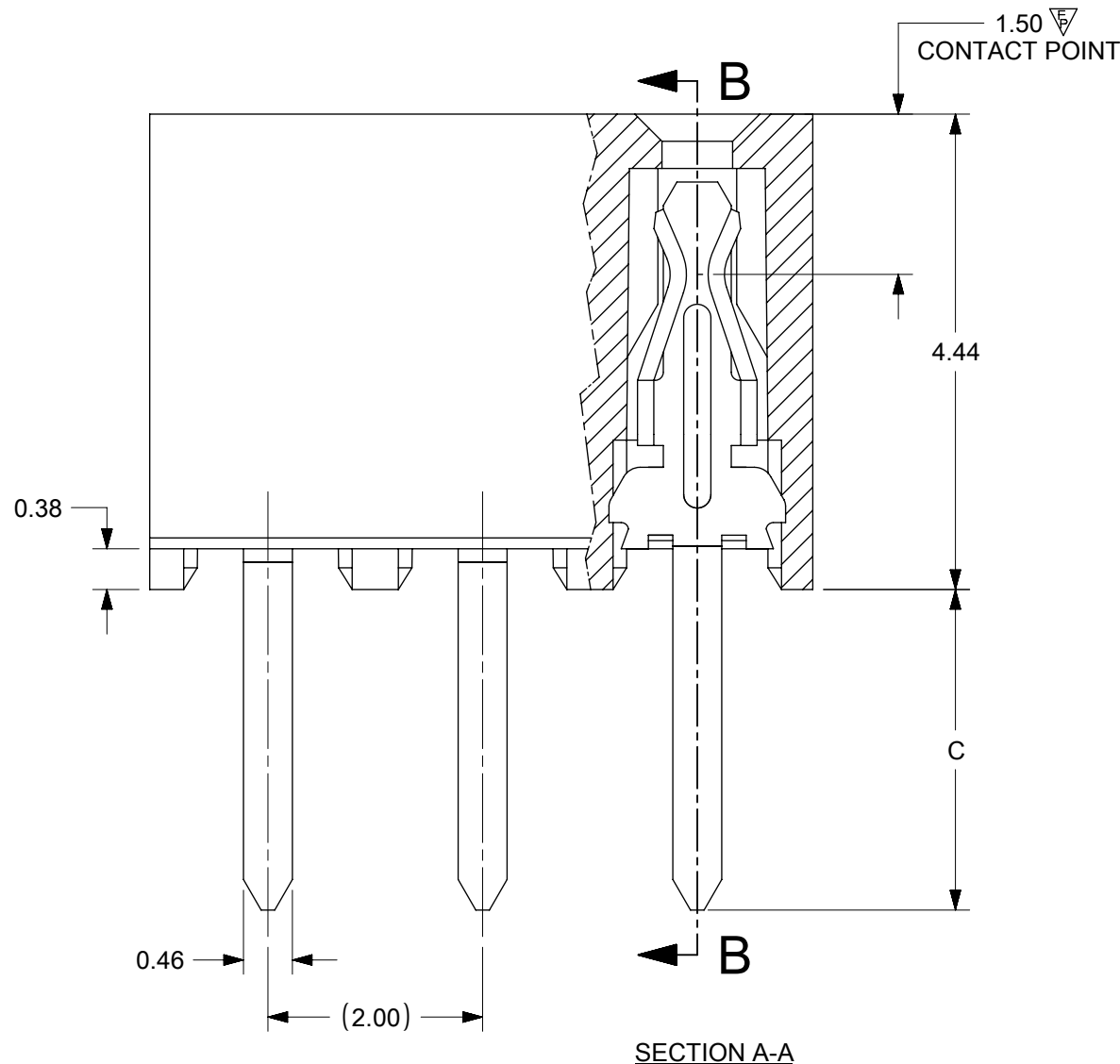
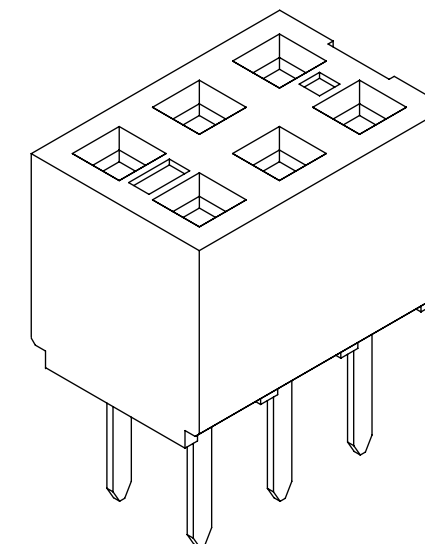
QUALITY SYMBOLS 	THIS DRAWING CONTAINS INFORMATION THAT IS PROPRIETARY TO MOLEX ELECTRONIC TECHNOLOGIES, LLC AND SHOULD NOT BE USED WITHOUT WRITTEN PERMISSION EC NO: 173923 DRWN: GMENARLY CHK'D: ISHWARG APPR: ISHWARG SHT3: ADD 79107-7417 2017/11/27 2018/03/23 2018/03/23	GENERAL TOLERANCES (UNLESS SPECIFIED) ANGULAR TOL ± 0.5 ° 4 PLACES ± 3 PLACES ± 2 PLACES ± 0.25 1 PLACE ± 0 PLACES ± DRAFT WHERE APPLICABLE MUST REMAIN WITHIN DIMENSIONS	DIMENSION UNITS MM	SCALE NTS	DRWN BY AAB	DATE 1989/05/15	CHK'D BY MJM	DATE 1989/05/15	APPR BY WAZ	DATE 1989/05/15	DRAWING SIZE A3	THIRD ANGLE PROJECTION 	 2MM DUAL ROW VERTICAL RECEPTACLE T/H	
PRODUCT CUSTOMER DRAWING												SERIES 79107	MATERIAL NUMBER SEE TABLE	CUSTOMER GENERAL MARKET
DOCUMENT NUMBER SDA-79107-++++												DOC TYPE PSD	DOC PART 001	SHEET NUMBER 4 OF 4



RECOMMENDED PCB LAYOUT

NOTES:

- 1) HOUSING MATERIAL: GLASS FILLED HIGH TEMP THERMOPLASTIC, COLOR: BLACK, UL-94V-0
- 2) TERMINAL MATERIAL: PHOSPHOR BRONZE
- 3) SEE SHT 2 FOR CKT SIZE, PART NUMBERS AND OVERALL DIMENSIONS, SEE SHT 3 FOR VOIDS.
- 4) FOR ILLUSTRATION, 6 CKT ASSY SHOWN.
- 5) REFER TO PRODUCT SPEC PS-79107
- 6) PACKAGING PER PK-70873-0180
- 7) CKTS NUMBERED FROM LEFT TO RIGHT WHEN PART IS VIEWED FROM TOP WITH RECESS ON THE RIGHT AS SHOWN.
- 8) SOLDER TAIL TO BE MEASURED BY PITCH GAUGE.



PLATING OPTION:

- 4) - 30µ"/0.76µm MIN GOLD PLATE IN SELECTED AREA
75µ"/1.90µm MIN TIN PLATE IN SELECTED AREA
BOTH OVER 50µ"/1.25µm MIN NICKEL OVERALL
- 5) - 15µ"/0.38µm MIN GOLD PLATE IN SELECTED AREA
75µ"/1.90µm MIN TIN PLATE IN SELECTED AREA
BOTH OVER 50µ"/1.25µm MIN NICKEL OVERALL
- 6) - 2µ"/0.05µm MIN GOLD PLATE IN SELECTED AREA
40µ"/1.02µm MIN TIN PLATE IN SELECTED AREA
BOTH OVER 40µ"/1.02µm MIN NICKEL OVERALL

THIS DRAWING CONTAINS INFORMATION THAT IS PROPRIETARY TO MOLEX ELECTRONIC TECHNOLOGIES, LLC AND SHOULD NOT BE USED WITHOUT WRITTEN PERMISSION											
SYMBOLS		DIMENSION UNITS		SCALE		CURRENT REV DESC:					
▽ = 0	0	mm	NTS			EC NO: 674390					
▽ = 0	0	GENERAL TOLERANCES (UNLESS SPECIFIED)				DRWN: ABABUPS		2021/06/03		2021/08/23	
▽ = 1	1	ANGULAR TOL ± 0.5°				CHK'D: MRAMAKRISHNA		2021/08/23		2021/08/23	
▽ = 0	0	4 PLACES ±				APPR: MRAMAKRISHNA		2021/08/23		INITIAL REVISION:	
▽ = 0	0	3 PLACES ±				DRWN: RFC_PLMIMP		2018/12/04		DOCUMENT NUMBER	
▽ = 0	0	2 PLACES ± 0.25				APPR: KCLING		2001/08/22		SDA-79107-XXXX	
▽ = 0	0	1 PLACE ±				THIRD ANGLE PROJECTION		DRAWING		SERIES	
▽ = 0	0	0 PLACES ±				DRAFT WHERE APPLICABLE MUST REMAIN WITHIN DIMENSIONS		B-SIZE		79107	
▽ = 0	0					MATERIAL NUMBER		CUSTOMER		SHEET NUMBER	
						SEE TABLE		GENERAL MARKET		1 OF 4	

PARTS PACKED IN TUBE

MOLDED VOID OPTION
ASSEMBLIES WITHOUT PEGS

CKT. SIZE	ASSEMBLY ITEM NO.	VOID LOCATION(S) SEE SHEET 1 FOR CONVENTION		PLATING OPTION	DIM. "A"	DIM. "B"	P.C. TAIL DIM. "C"
		ROW	CKT.NO(s)				
24	79107-5101	ROW B	6	5	(24.19)	(22.00)	(3.00)
10	79107-5102	ROW A	5	5	(10.19)	(8.00)	(3.00)
26	79107-5103	ROW B	5	5	(26.19)	(24.00)	(3.00)
20	79107-5104	ROW A	7	5	(20.19)	(18.00)	(1.91)
24	79107-5105	ROW B	10	5	(24.19)	(22.00)	(1.91)
20	79107-5106	ROW A	7	5	(20.19)	(18.00)	(3.00)
24	79107-5107	ROW B	10	5	(24.19)	(22.00)	(3.00)

"X" - DENOTES THE ITEM IS NOT AVAILABLE CURRENTLY.

NOTES:

1. TERMINALS WILL BE PRESENT IN VOIDED LOCATIONS HOWEVER, PIN WINDOWS WILL BE CLOSED.
2. VOIDS CANNOT BE PRESENT IN BOTH ROWS ON A CONNECTOR.

SYMBOLS	THIS DRAWING CONTAINS INFORMATION THAT IS PROPRIETARY TO MOLEX ELECTRONIC TECHNOLOGIES, LLC AND SHOULD NOT BE USED WITHOUT WRITTEN PERMISSION										
	DIMENSION UNITS		SCALE		CURRENT REV DESC:						
	mm		NTS		EC NO: 674390 DRWN: ABABUPS 2021/06/03 CHK'D: MRAMAKRISHNA 2021/08/23 APPR: MRAMAKRISHNA 2021/08/23						
	GENERAL TOLERANCES (UNLESS SPECIFIED)										
	ANGULAR TOL ± 0.5°										
	▽ = 0	4 PLACES		±		INITIAL REVISION: DRWN: RFC_PLMIMP 2018/12/04 APPR: KCLING 2001/08/22					
	▽ = 0	3 PLACES		±							
	▽ = 0	2 PLACES		± 0.25							
	▽ = 0	1 PLACE		±		DOCUMENT NUMBER		DOC TYPE		DOC PART	
	▽ = 0	0 PLACES		±		SDA-79107-XXXX		PSD		001	
■ = 0	DRAFT WHERE APPLICABLE MUST REMAIN WITHIN DIMENSIONS				THIRD ANGLE PROJECTION		DRAWING		SERIES		
▽ = 0					B-SIZE		79107		MATERIAL NUMBER		
						SEE TABLE		CUSTOMER		SHEET NUMBER	
						GENERAL MARKET				3 OF 4	

molex

2MM DUAL ROW
VERTICAL RECEPTACLE T/H

PRODUCT CUSTOMER DRAWING

PARTS PACKED IN TAPE AND REEL

CKT SIZE	DIM 'A'	DIM 'B'	P.C.TAIL DIMENSION 'C' = 3.00			P.C.TAIL DIMENSION 'C' = 1.91		
			PLATING OPTION 5	PLATING OPTION 4	PLATING OPTION 6	PLATING OPTION 5	PLATING OPTION 4	PLATING OPTION 6
			ITEM NO.	ITEM NO.	ITEM NO.	ITEM NO.	ITEM NO.	ITEM NO.
04	(4.19)	(2.00)	-	-	-	-	-	-
06	(6.19)	(4.00)	-	-	-	-	-	-
08	(8.19)	(6.00)	-	-	-	-	-	-
10	(10.19)	(8.00)	-	-	-	-	-	-
12	(12.19)	(10.00)	-	-	-	-	-	-
14	(14.19)	(12.00)	-	-	-	-	-	-
16	(16.19)	(14.00)	-	-	-	-	-	-
18	(18.19)	(16.00)	-	-	-	-	-	-
20	(20.19)	(18.00)	-	-	-	*	79107-8209 (H5)	-
22	(22.19)	(20.00)	-	-	-	-	-	-
24	(24.19)	(22.00)	-	-	-	-	-	-
26	(26.19)	(24.00)	-	-	-	-	-	-
28	(28.19)	(26.00)	-	-	-	-	-	-
30	(30.19)	(28.00)	-	-	-	-	-	-
32	(32.19)	(30.00)	-	-	-	-	-	-
34	(34.19)	(32.00)	-	-	-	-	-	-
36	(36.19)	(34.00)	-	-	-	-	-	-
38	(38.19)	(36.00)	-	-	-	-	-	-
40	(40.19)	(38.00)	-	-	-	-	-	-
42	(42.19)	(40.00)	-	-	-	-	-	-
44	(44.19)	(42.00)	-	-	-	-	-	-
46	(46.19)	(44.00)	-	-	-	-	-	-
48	(48.19)	(46.00)	-	-	-	-	-	-
50	(50.19)	(48.00)	-	-	-	-	-	-
			*** - PACKAGING IS NOT TOOLED					

FUNCTIONAL SYMBOLS $\nabla_A = 0$ $\nabla_B = 0$ $\nabla_C = 0$	DIMENSION UNITS mm	SCALE NTS	THIS DRAWING CONTAINS INFORMATION THAT IS PROPRIETARY TO MOLEX ELECTRONIC TECHNOLOGIES, LLC AND SHOULD NOT BE USED WITHOUT WRITTEN PERMISSION CURRENT REV DESC: EC NO: 674390 DRWN: ABABUPS APPR: MRAMAKRISHNA CHK'D: MRAMAKRISHNA APPR: MRAMAKRISHNA INITIAL REVISION: DRWN: RFC_PLMIMP APPR: KCLING	
GENERAL TOLERANCES (UNLESS SPECIFIED) ANGULAR TOL ± 0.5° 4 PLACES ± 3 PLACES ± 2 PLACES ± 0.25 1 PLACE ± 0 PLACES ±			2021/06/03 2021/08/23 2021/08/23 2018/12/04 2001/08/22	2MM DUAL ROW VERTICAL RECEPTACLE T/H PRODUCT CUSTOMER DRAWING
DRAFT WHERE APPLICABLE MUST REMAIN WITHIN DIMENSIONS THIRD ANGLE PROJECTION 			DRAWING A3-SIZE	SERIES 79107
DOCUMENT STATUS P1 RELEASE DATE 2021/08/23 07:55:07		MATERIAL NUMBER CUSTOMER SHEET NUMBER SDA-79107-XXXX GENERAL MARKET 4 OF 4		