

MATERIALS AND FINISHES:

HOUSING: ZINC ALLOY / PLATED SEE TABLE

CENTER CONTACT: BRASS / PLATED GOLD

INSULATOR: TEFLON

OUTER CONTACT: BERYLLIUM COPPER / PLATED SEE TABLE

FERRULE: BRASS / PLATED SEE TABLE

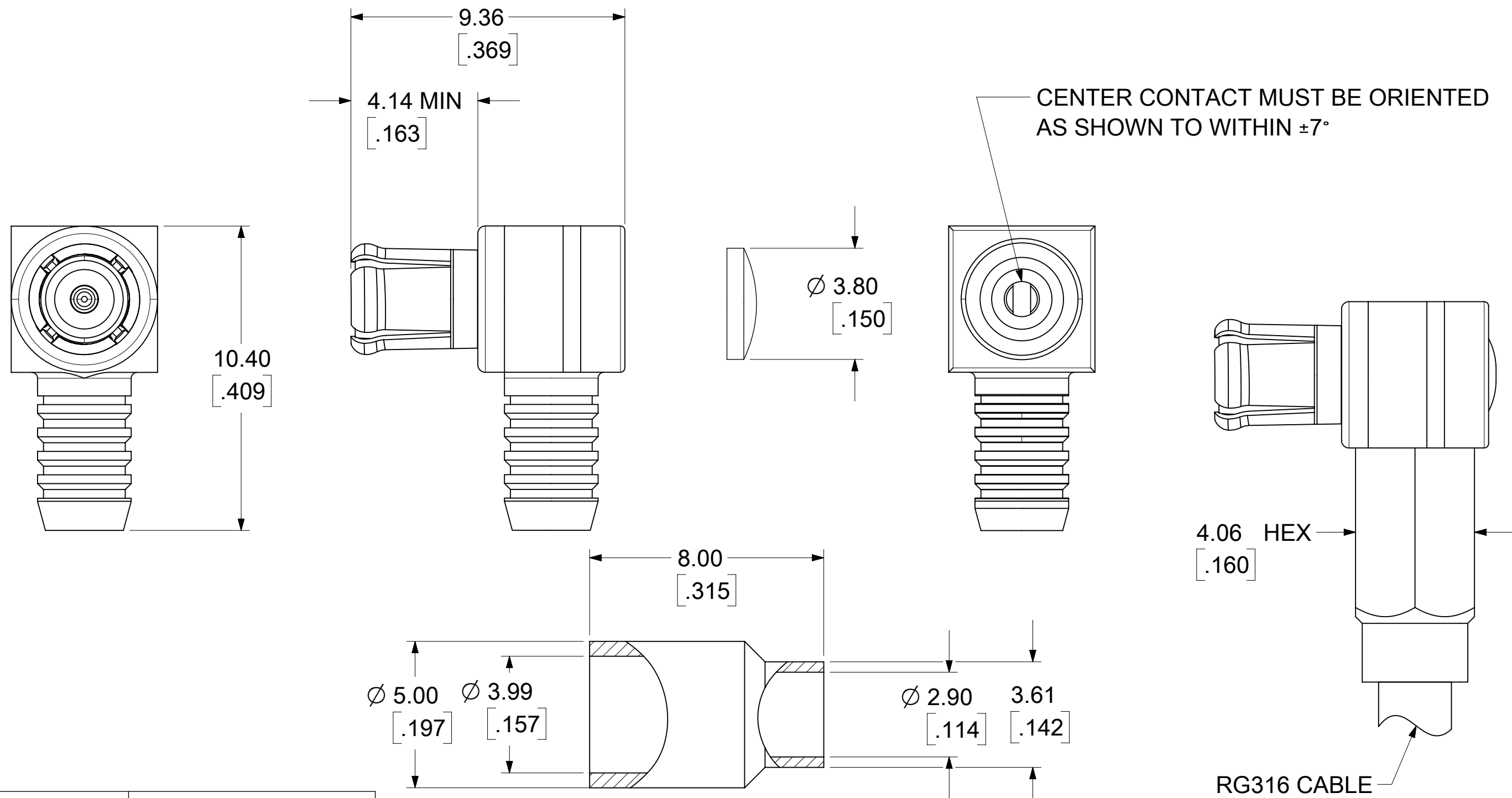
CAP: STAINLESS STEEL (FOR 73366-0010/-0019)
PASSIVATED

CAP: BRASS (FOR 73366-0011/-0012/-0017/-6350)
PLATED GOLD

NOTE:

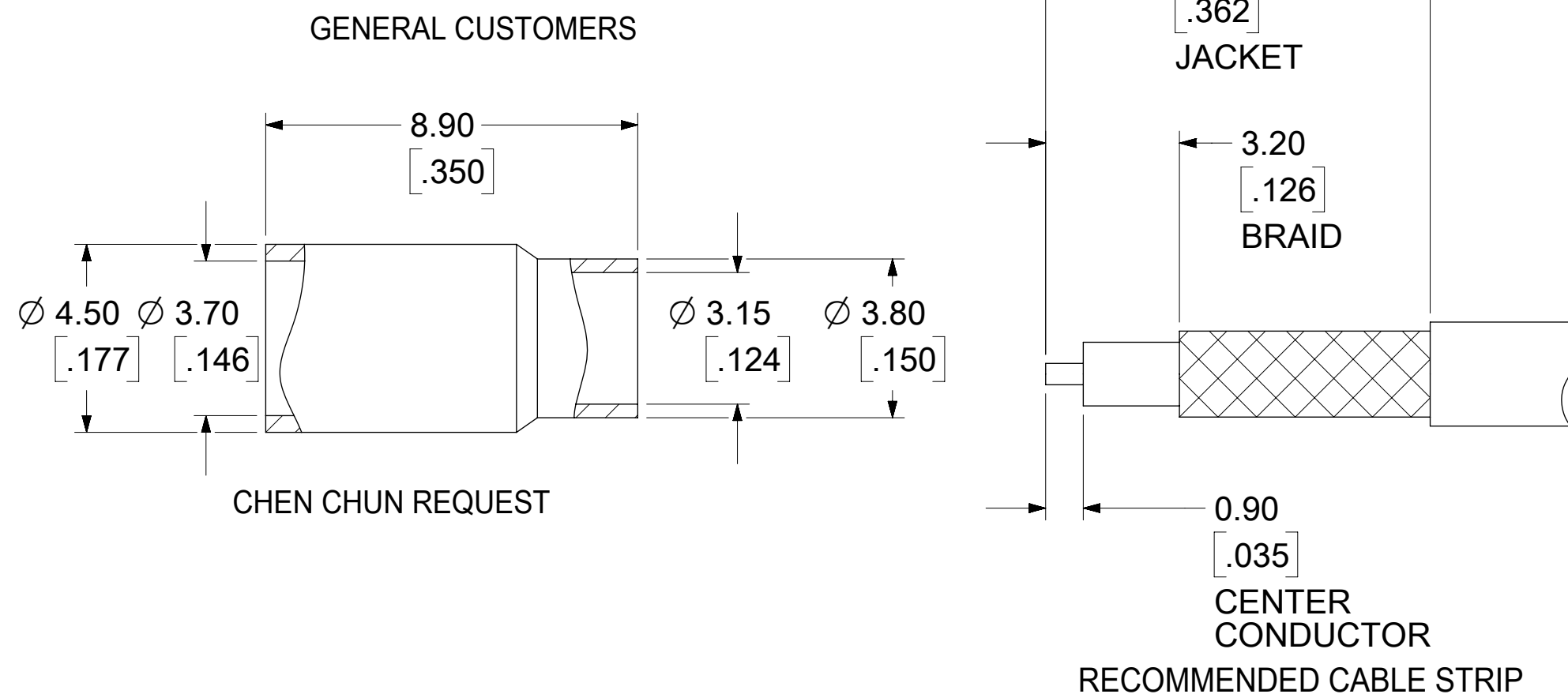
73366-0011'S FERRULE FOR GENERAL CUSTOMERS

73366-0012'S FERRULE FOR CHEN CHUN REQUEST



73366-6350	GOLD PLATING, BULK PACK	GOLD 30μ-in	GOLD 30μ-in
73366-0019	NICKEL PLATING, BULK PACK	NICKEL 100μ-in	GOLD 10μ-in
73366-0018	BULK, 73366-0010 W/O FERRULE	GOLD 5μ-in	GOLD 10μ-in
73366-0017	GOLD PLATING, BULK PACK	GOLD 5μ-in	GOLD 10μ-in
73366-0016	73366-0012, SMALL TRAY	GOLD 5μ-in	GOLD 10μ-in
73366-0015	73366-0011, SMALL TRAY	GOLD 5μ-in	GOLD 10μ-in
73366-0014	73366-0010, SMALL TRAY	GOLD 5μ-in	GOLD 10μ-in
73366-0013	1 PIECE 73366-0010 PER BAG	GOLD 5μ-in	GOLD 10μ-in
73366-0012	GOLD PLATING, BULK PACK	GOLD 5μ-in	GOLD 10μ-in
73366-0011	GOLD PLATING, BULK PACK	GOLD 5μ-in	GOLD 10μ-in
73366-0010	NICKEL PLATING, BULK PACK	GOLD 5μ-in	GOLD 10μ-in
PART NO.	BODY PLATING & PACKAGING	OUTER CONTACT	CENTER CONTACT

73392-0050	ASSEMBLY INSTRUCTIONS FOR 73366-0010/0011
PS-89675-1830	PRODUCT SPECIFICATION
SPECIFICATION	DESCRIPTION



FUNCTIONAL SYMBOLS	THIS DRAWING CONTAINS INFORMATION THAT IS PROPRIETARY TO MOLEX ELECTRONIC TECHNOLOGIES, LLC AND SHOULD NOT BE USED WITHOUT WRITTEN PERMISSION			
FA = 0	DIMENSION UNITS	SCALE	CURRENT REV DESC: ADD ASSEMBLY INSTRUCTION NOTE PER EWR15198-A	
EC = 0	HYBRID	NTS		
EP = 0	GENERAL TOLERANCES (UNLESS SPECIFIED)			
	ANGULAR TOL ± 2.0°			
DIVISIONAL SYMBOLS	4 PLACES	±	EC NO: 706398	2022/05/11
	3 PLACES	±	DRWN: CWEI02	2022/05/17
	2 PLACES	±	CHK'D: YCHENG	2022/05/17
	1 PLACE	±	APPR: YCHENG	2022/05/17
	0 PLACES	±	INITIAL REVISION:	
	DRAFT WHERE APPLICABLE MUST REMAIN WITHIN DIMENSIONS		DRWN: YCHENG	2005/03/15
	THIRD ANGLE PROJECTION		APPR: MISEN	2003/02/21
	DRAWING		SERIES	MATERIAL NUMBER
	C-SIZE		73366	SEE TABLE
	CUSTOMER		GENERAL MARKET	
	SHEET NUMBER		1 OF 1	

molex

MCX PLUG R/A RG316
50 OHMS MCX-PC/RA

PRODUCT CUSTOMER DRAWING

DOCUMENT NUMBER	DOC TYPE	DOC PART	REVISION
SD-73366-001	PSD	001	G11