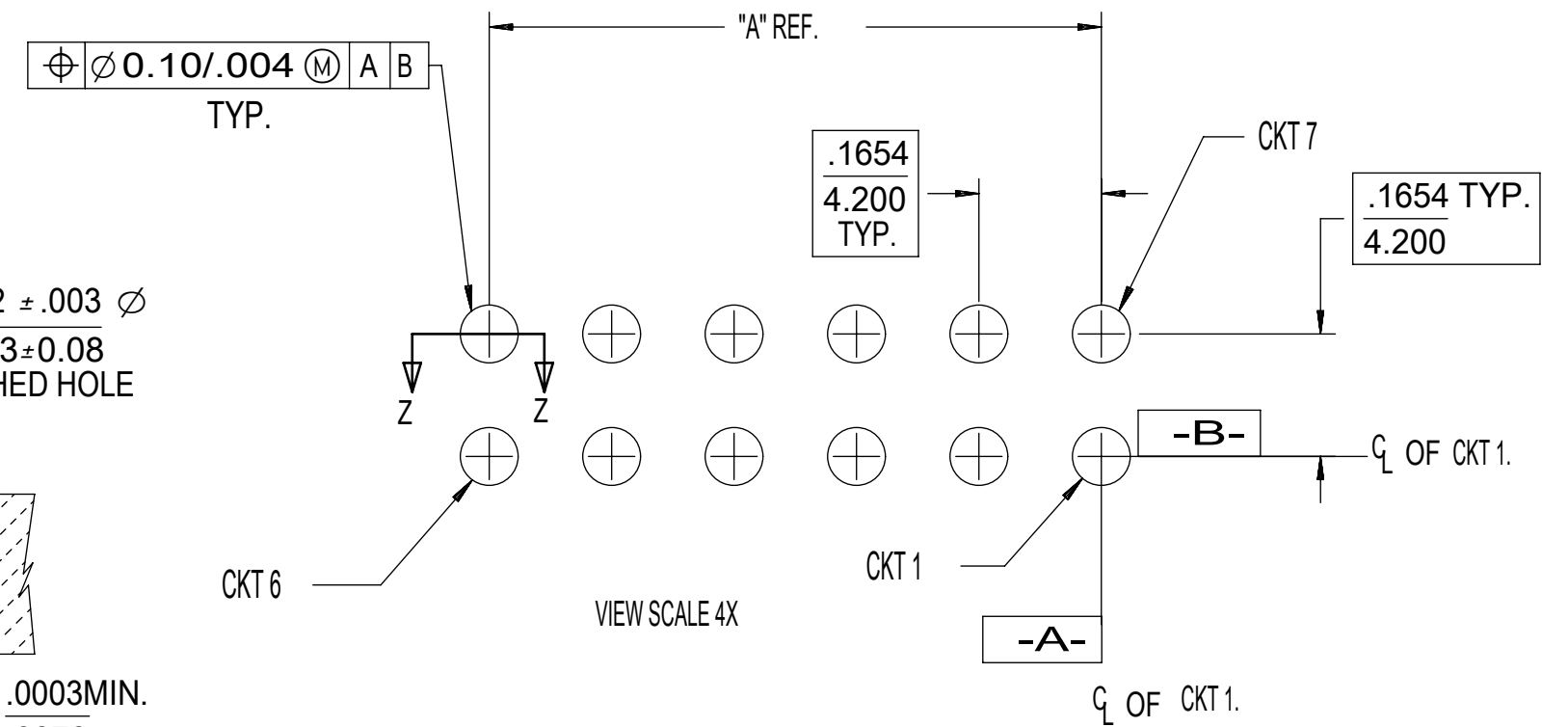
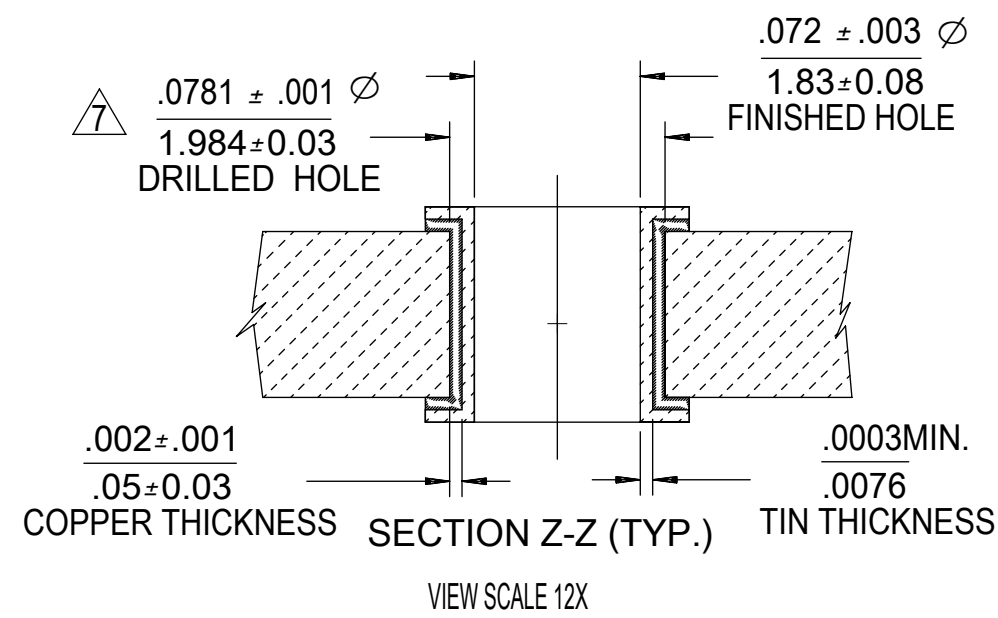
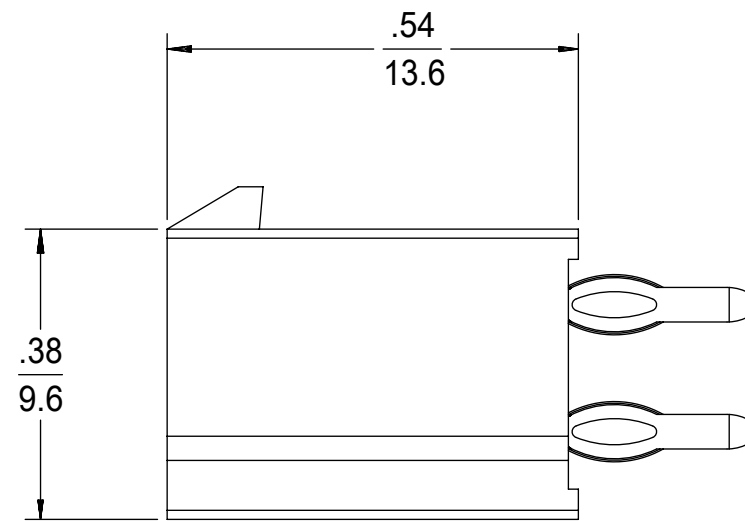
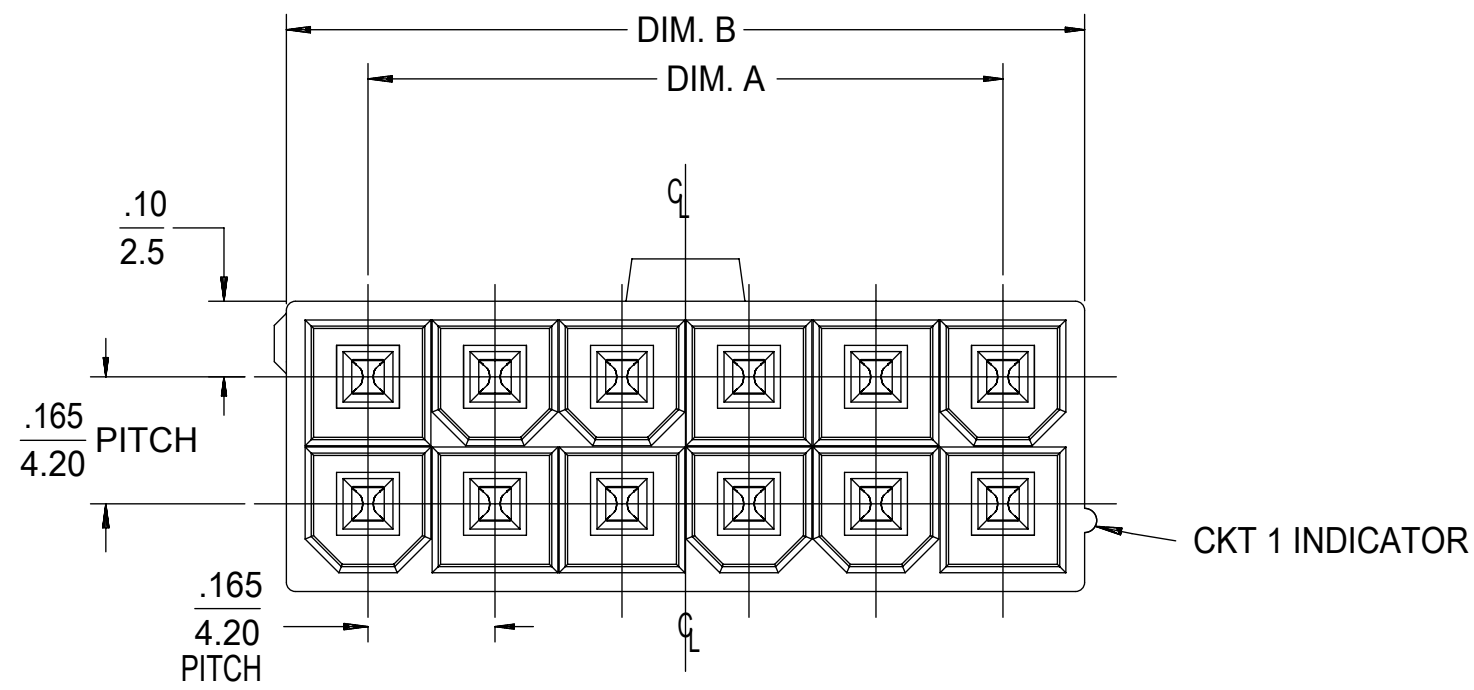


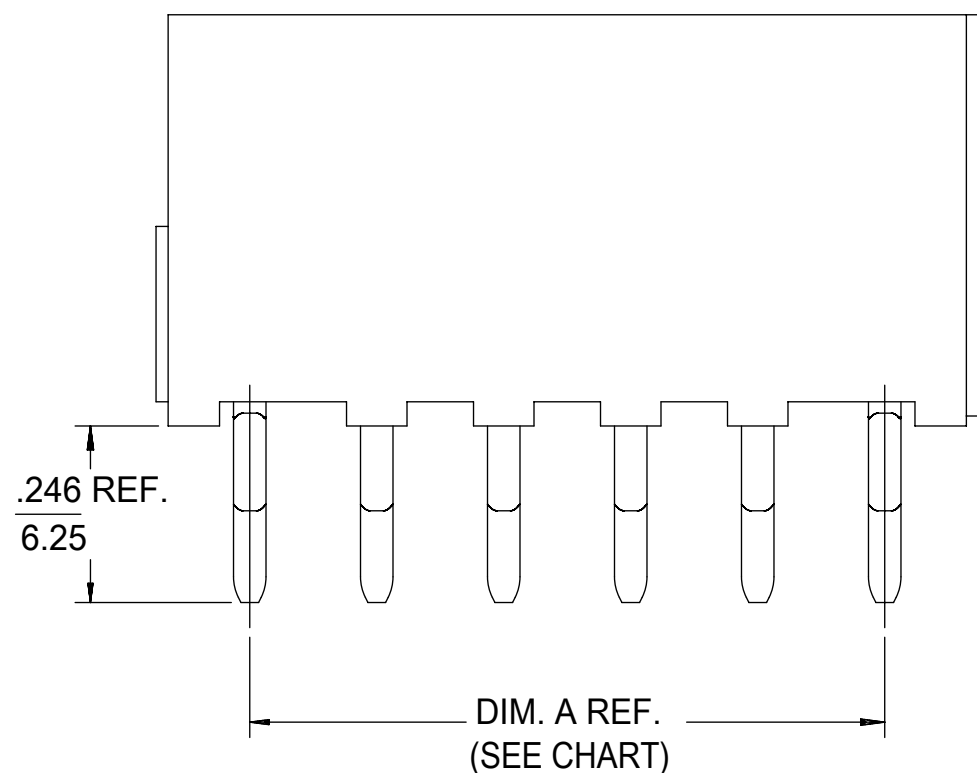
ISOMETRIC VIEW  
(12 CKT - SHOWN)

CIRCUIT SIZE	DIM. A	DIM. B
04	0.165/4.20	0.38/9.6
06	0.331/8.40	0.54/13.8
08	0.496/12.60	0.71/18.0
10	0.661/16.80	0.87/22.2
12	0.827/21.00	1.04/26.4
14	0.992/25.20	1.21/30.6
16	1.160/29.40	1.37/34.8
18	1.323/33.60	1.54/39.0
20	1.488/37.80	1.70/43.2
22	1.654/42.00	1.87/47.4
24	1.819/46.20	2.03/51.6

- NOTES:
- MATERIALS:  
HOUSING - LIQUID CRYSTAL POLYMER (LCP), COLOR: SEE CHART  
TERMINAL: PHOSPHOR BRONZE
  - TERMINAL PLATING:  
BRIGHT TIN=.000100/0.00254 MIN. BRIGHT TIN OVER .000050/0.00127 MIN. NICKEL OVERALL  
MATTE TIN=.000100/0.00254 MIN. MATTE TIN OVER .000050/0.00127 MIN. NICKEL OVERALL
  - PRODUCT SPECIFICATION: PS-43879-001
  - PACKAGING SPECIFICATION: PK-5569-003
  - THIS PART MATES WITH RECEPTACLE SERIES NUMBERS 5557.
  - THIS HEADER REQUIRES A MOLEX INSERTION TOOL (62200-9400) TO PROPERLY INSTALL IT TO THE PCB.
  - DRILLED HOLE DIAMETER IS EQUIVALENT TO 5/64" STANDARD DRILL BIT.
  - CONNECTOR ASSEMBLIES ARE NOT DESIGNED TO BE MATED AND UNMATED WHILE CIRCUITS ARE LIVE.
  - PART IS NOT DESIGNED FOR CURRENT SHARING.
  - PART CONFORMS TO CLASS "B" REQUIREMENTS OF COSMETIC SPECIFICATION PS-45499-002.



PCB LAYOUT: COMPONENT SIDE .088  
RECOMMENDED MINIMUM PCB THICKNESS: 2.24



QUALITY SYMBOLS		THIS DRAWING CONTAINS INFORMATION THAT IS PROPRIETARY TO MOLEX ELECTRONIC TECHNOLOGIES, LLC AND SHOULD NOT BE USED WITHOUT WRITTEN PERMISSION			
▽ = 0	ADD MINIMUM TO PCB	GENERAL TOLERANCES (UNLESS SPECIFIED)		DIMENSION UNITS	SCALE
▽ = 0	EC NO: 117586	MM	INCH	IN/MM	4:1
▽ = 0	DRWN: BAPPELDORN	4 PLACES ±	±	DRWN BY	DATE
▽ = 0	CHKD: JBELL	3 PLACES ±	± 0.01	JJAGUILAR	2010/09/17
▽ = 0	REV: APPR: FSMITH	2 PLACES ±	± 0.25 ± 0.015	CHK'D BY	DATE
▽ = 0		1 PLACES ±	± 0.38 ±	JBELL	2010/09/17
▽ = 0		0 PLACES ±	±	APPR BY	DATE
▽ = 0				FSMITH	2010/10/04
▽ = 0		ANGULAR TOL ±		DRAWING SIZE	THIRD ANGLE PROJECTION
▽ = 0				C	
▽ = 0		DRAFT WHERE APPLICABLE MUST REMAIN WITHIN DIMENSIONS			
RELEASE STATUS		RELEASE DATE		DOCUMENT NUMBER	
12		11		46611	
				SEE CHART	
				GENERAL MARKET	
				DOC TYPE	
				PSD	
				DOC PART	
				000	
				SHEET NUMBER	
				1 OF 2	

**molex**

MINI-FIT JR. CPI  
VERT HEADER ASSY IN LCP, W/O PCB PEGS

PRODUCT CUSTOMER DRAWING

SERIES	MATERIAL NUMBER	CUSTOMER
46611	SEE CHART	GENERAL MARKET
DOCUMENT NUMBER	DOC TYPE	DOC PART
SD-46611-0000	PSD	000
SHEET NUMBER		
1 OF 2		

CIRCUIT SIZE	BRIGHT TIN PLATED	
	COLOR= BLACK	
04	46611-1004	
06	46611-1006	
08	46611-1008	
10	46611-1010	
12	46611-1012	
* 14	46611-1014	
* 16	46611-1016	
* 18	46611-1018	
* 20	46611-1020	
* 22	46611-1022	
24	46611-1024	

CIRCUIT SIZE	BRIGHT TIN PLATED	
	COLOR= NATURAL	
* 04	46611-1104	
* 06	46611-1106	
* 08	46611-1108	
* 10	46611-1110	
* 12	46611-1112	
* 14	46611-1114	
* 16	46611-1116	
* 18	46611-1118	
* 20	46611-1120	
* 22	46611-1122	
* 24	46611-1124	

\* DESIGNATES PART NOT RELEASED.  
CONTACT FACTORY FOR AVAILABILITY.

CIRCUIT SIZE	MATTE TIN PLATED	
	COLOR= BLACK	
04	46611-3004	
06	46611-3006	
08	46611-3008	
10	46611-3010	
12	46611-3012	
* 14	46611-3014	
* 16	46611-3016	
* 18	46611-3018	
* 20	46611-3020	
* 22	46611-3022	
24	46611-3024	

\* DESIGNATES PART NOT RELEASED.  
CONTACT FACTORY FOR AVAILABILITY.

QUALITY SYMBOLS		THIS DRAWING CONTAINS INFORMATION THAT IS PROPRIETARY TO MOLEX ELECTRONIC TECHNOLOGIES, LLC AND SHOULD NOT BE USED WITHOUT WRITTEN PERMISSION												
	= 0	ADD MINIMUM TO PCB EC NO: 117586 DRWN: BAPPELDORN CHKD: JBELL REV   APPR: FSMITH 2017/05/31 2017/06/15 2017/06/29	GENERAL TOLERANCES (UNLESS SPECIFIED)				DIMENSION UNITS		SCALE					
	= 0		MM		INCH		IN/MM		4:1					
	= 0		4 PLACES ± ±				DRWN BY		DATE		MINI-FIT JR. CPI VERT HEADER ASSY IN LCP, W/O PCB PEGS			
	= 0		3 PLACES ± ± 0.01				JJAGUILAR		2010/09/17					
	= 0		2 PLACES ± 0.25 ± 0.015				CHK'D BY		DATE					
	= 0		1 PLACES ± 0.38 ±				JBELL		2010/09/17					
	= 0		0 PLACES ± ±				APPR BY		DATE		PRODUCT CUSTOMER DRAWING			
	= 0		ANGULAR TOL ±				FSMITH		2010/10/04		SERIES MATERIAL NUMBER CUSTOMER			
	= 0		DRAFT WHERE APPLICABLE MUST REMAIN WITHIN DIMENSIONS				DRAWING SIZE		THIRD ANGLE PROJECTION		46611 SEE CHART GENERAL MARKET			
	= 0		C2				C				DOCUMENT NUMBER SD-46611-0000 DOC TYPE PSD DOC PART 000 SHEET NUMBER 2 OF 2			