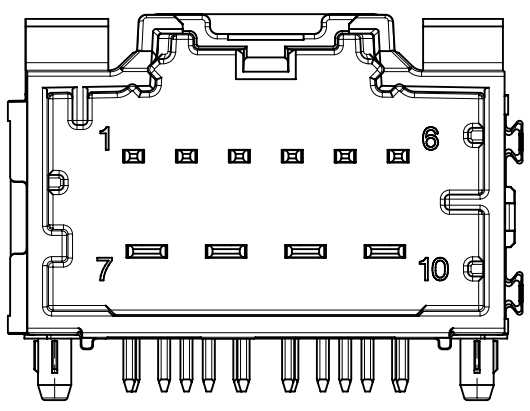
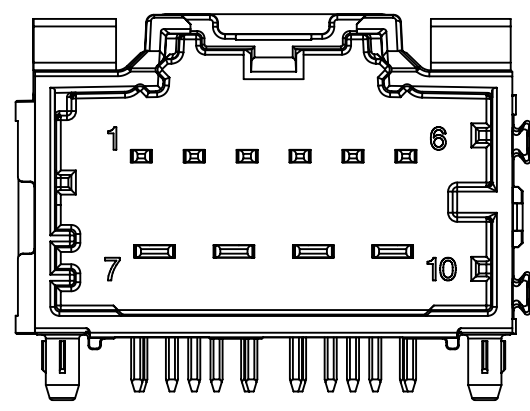


OPTION 'A'

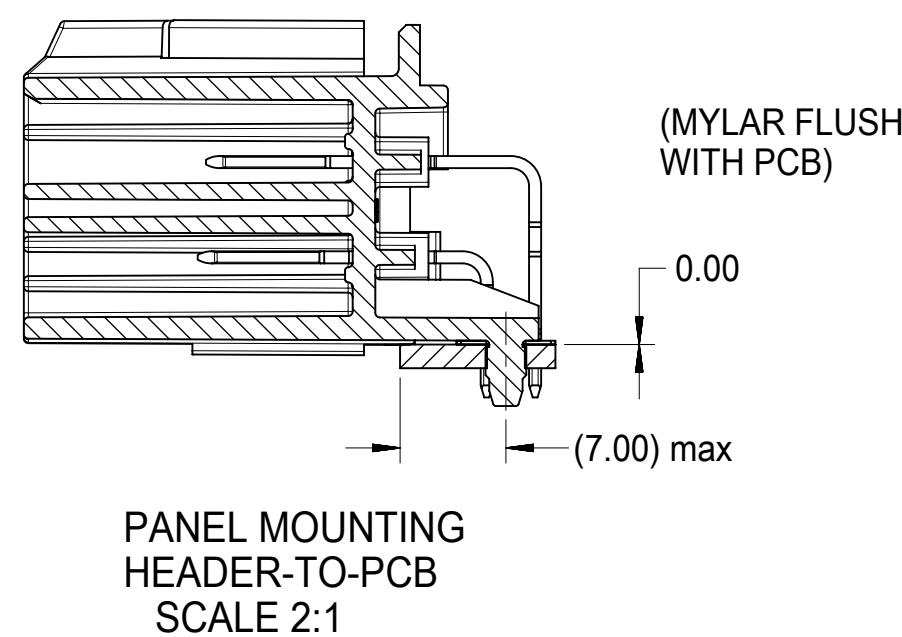
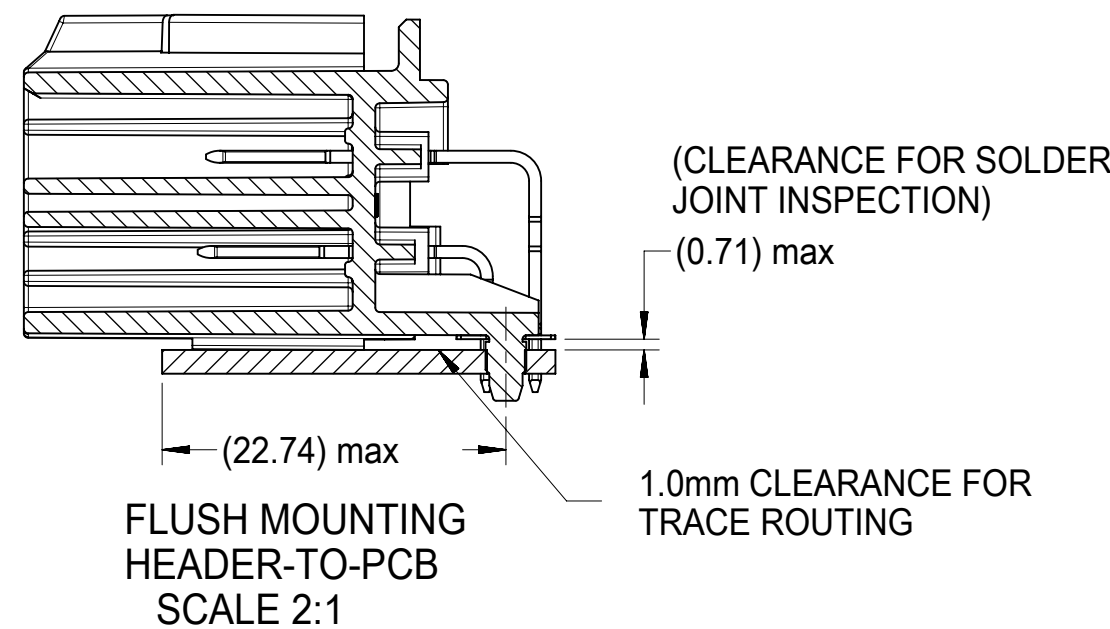
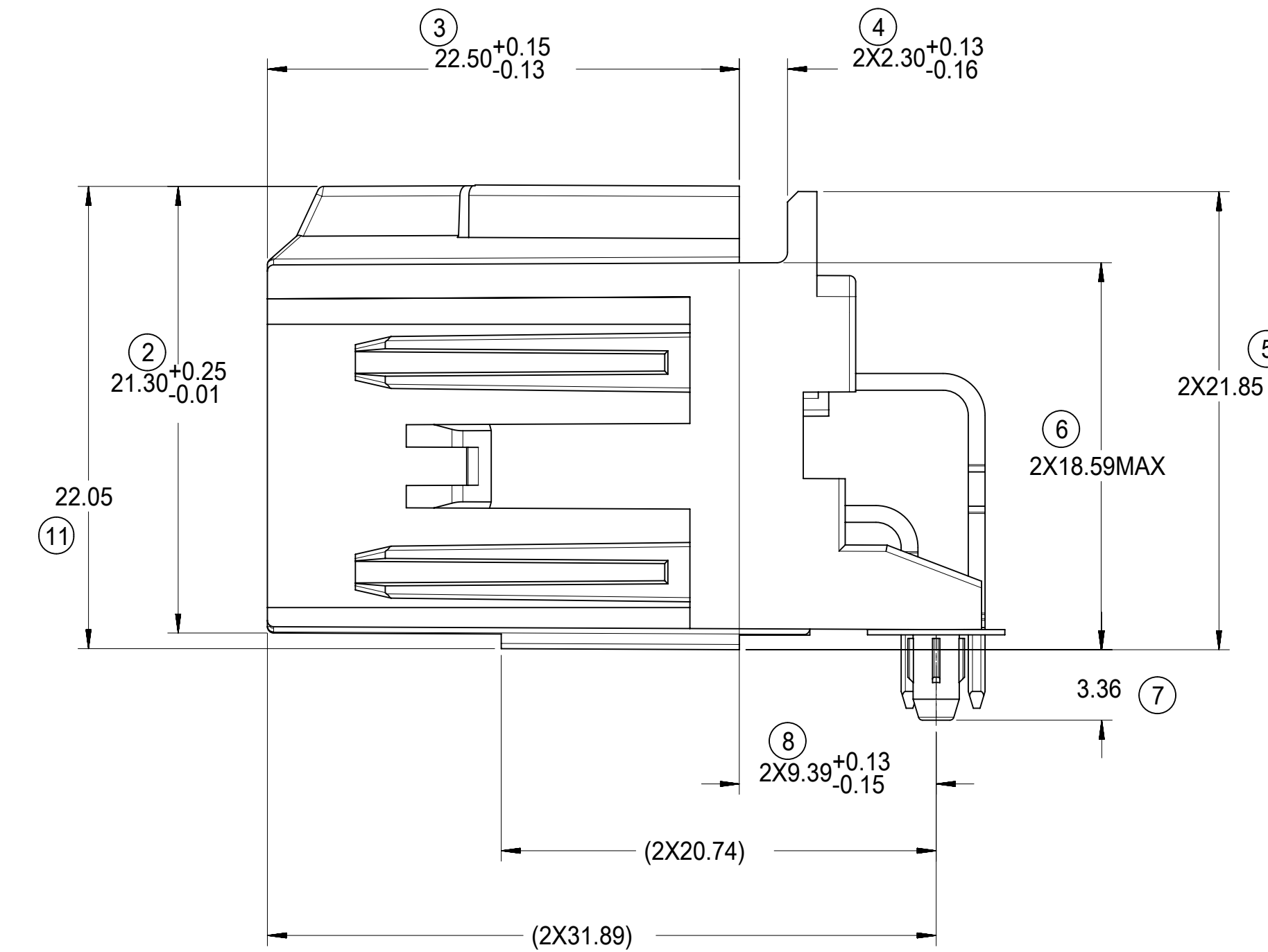
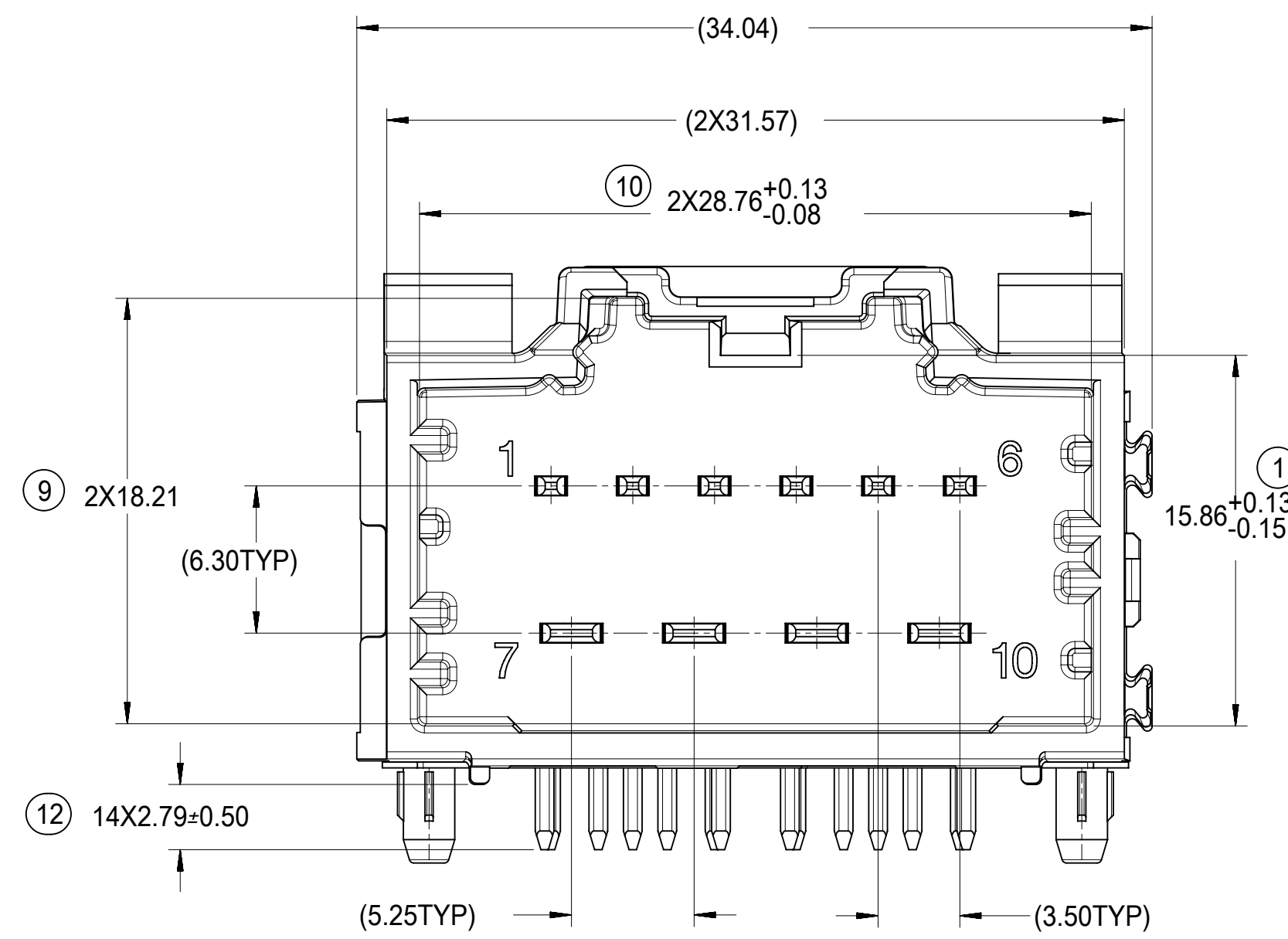


OPTION 'B'

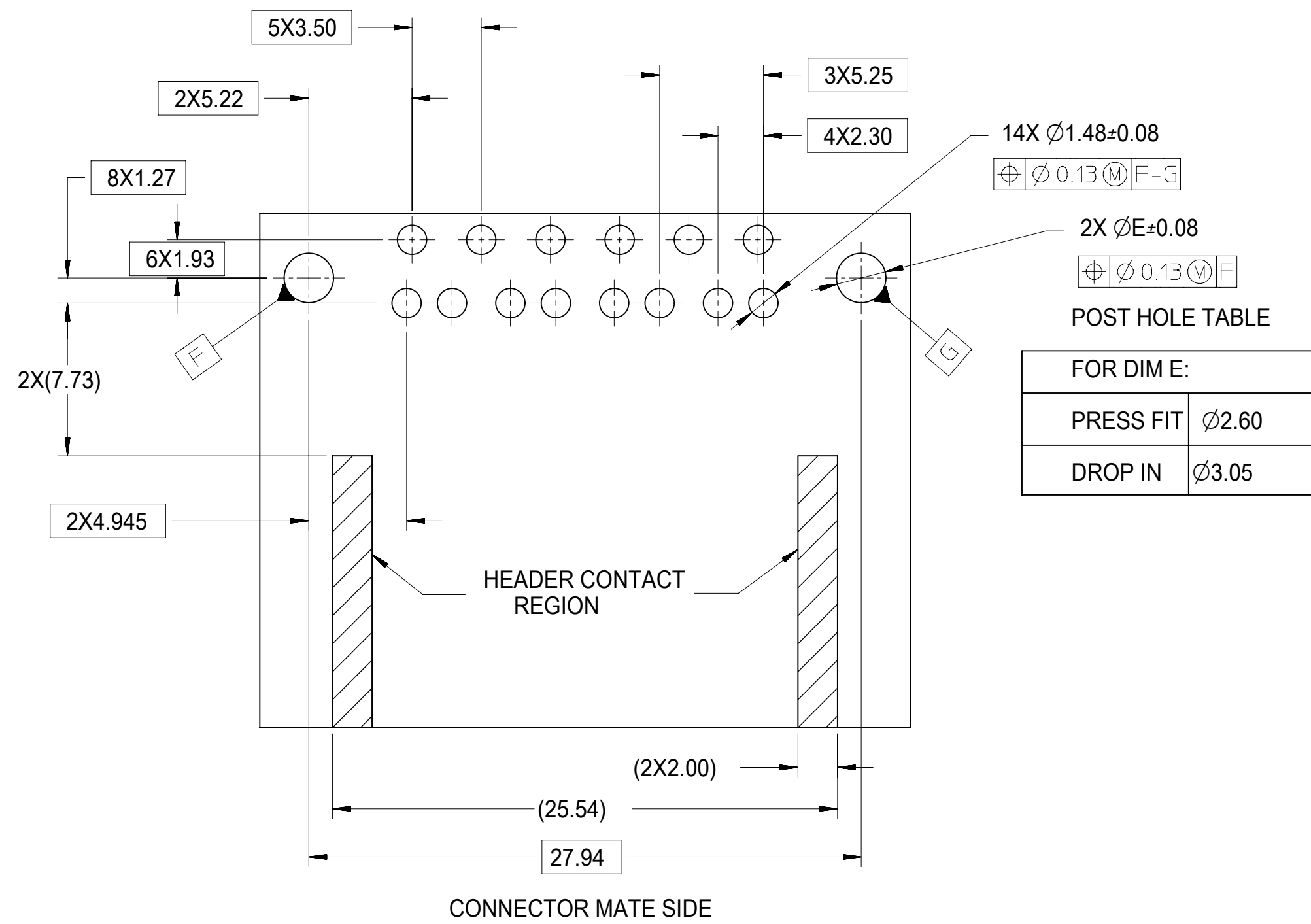


OPTION 'C'

MATERIAL NUMBER			CKT SIZE	DESCRIPTION	POL	COLOR
TUBE PACK	TRAY PACK	ALT TRAY				
34696-9100	34696-0100	34696-9103	10	POWER STAC RIGHT ANGLE HEADER ASSEMBLY (4 x 2.8mm + 6 x 1.5mm)	A	BLACK
34696-9101	34696-0101	34696-9104	10	POWER STAC RIGHT ANGLE HEADER ASSEMBLY (4 x 2.8mm + 6 x 1.5mm)	B	GREY
34696-9102	34696-0102	34696-9105	10	POWER STAC RIGHT ANGLE HEADER ASSEMBLY (4 x 2.8mm + 6 x 1.5mm)	C	BROWN



RECOMMENDED PCB LAYOUT



NOTES: VALID UNLESS OTHERWISE SPECIFIED

1. GENERAL:

a. CONNECTOR HEADER MUST BE VALIDATED TO THE FOLLOWING FUNCTIONAL REQUIREMENTS:

PIN RETENTION = USCAR-2 REV 4

SOLDERABILITY = SMES-152

b. APPLICATION REQUIREMENTS (REFERENCE ONLY) FOR:

SEE APPLICATION SPECIFICATION = AS-34729-020

SEE PRODUCT SPECIFICATION = PS-31372-100

MATES WITH: SD-31372-900

c. PACKAGING SPECIFICATION PER MOLEX DRAWING PK-31300-892 (TRAY)

d. PACKAGING SPECIFICATION PER MOLEX DRAWING PK-31301-063 (TUBE)

e. PACKAGING SPECIFICATION PER MOLEX DRAWING PK-31300-894 (ALT TRAY)

2. DESIGN: MATERIALS:

a. SHROUD (PLASTIC HOUSING):
RESIN - SPS 30%GF

b. 1.50mm BLADES:
BASE MATERIAL: C19400
PLATING TYPE: AS NOTED

2.80mm BLADES:
BASE MATERIAL: C19400
PLATING TYPE: AS NOTED

c. PIN ALIGNMENT PLATE: MYLAR

3. PLATING REQUIREMENTS:

a. UNDERPLATING - OVERALL NICKEL

b. OVERPLATING - OVERALL TIN

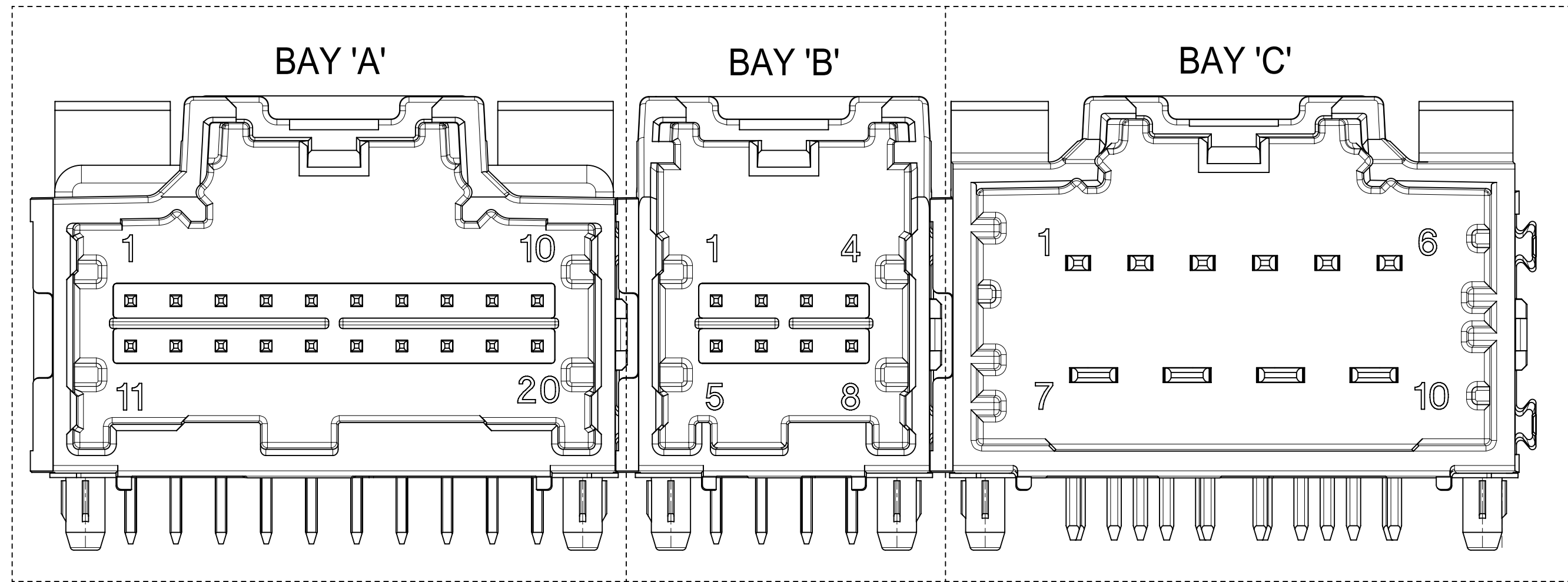
SYMBOLS	THIS DRAWING CONTAINS INFORMATION THAT IS PROPRIETARY TO MOLEX ELECTRONIC TECHNOLOGIES, LLC AND SHOULD NOT BE USED WITHOUT WRITTEN PERMISSION		CURRENT REV DESC:	
DIMENSION UNITS	SCALE	EC NO:	DRWN:	DATE:
▽ = 0	mm	4:1	171516	2018/01/29
▽ = 0	GENERAL TOLERANCES (UNLESS SPECIFIED)		DRWN: MYOUNG01	2018/01/29
▽ = 0	ANGULAR TOL ± 3.0°		CHK'D: RBAUMAN	2018/01/30
▽ = 0	4 PLACES ±		APPR: RBAUMAN	2018/01/30
▽ = 0	3 PLACES ±		INITIAL REVISION:	
▽ = 0	2 PLACES ± 0.13		DRWN: MBAILEY	2007/09/06
▽ = 0	1 PLACE ± 0.25		APPR: SMARCEAU	2007/09/10
▽ = 0	0 PLACES ±		DRAFT WHERE APPLICABLE MUST REMAIN WITHIN DIMENSIONS	
▽ = 0	THIRD ANGLE PROJECTION		DRAWING	SERIES
▽ = 0	D-DRAWING		34696	MATERIAL NUMBER
DOCUMENT NUMBER		DOC TYPE	DOC PART	REVISION
SD-34696-100		PSD	001	K7
DOCUMENT NUMBER		CUSTOMER		SHEET NUMBER
SD-34696-100		GENERAL MARKET		1 OF 1

molex

STAC64 SINGLE BAY R/A
10 CKT. HEADER ASSEMBLY SALES DRAWING

PRODUCT CUSTOMER DRAWING

3-BAY STAC64 RIGHT ANGLE HEADER ASSEMBLY (P/N: 34708-3040 SHOWN)



NOTES: VALID UNLESS OTHERWISE SPECIFIED

1. GENERAL:

a. CONNECTOR HEADER MUST BE VALIDATED TO THE FOLLOWING FUNCTIONAL REQUIREMENTS:

PRODUCT SPECIFICATION:
8-20 CKT 0.64 PRODUCT SPEC: PS-34729-020/PS-31408-100
10/14 CKT HYBRID PRODUCT SPEC: PS-31372-100

b. APPLICATION REQUIREMENTS (REFERENCE ONLY):

APPLICATION SPECIFICATION: AS-34729-020/AS-31408-100

c. PACKAGING SPECIFICATION PER MOLEX DRAWING PK-31300-892 (TRAY)

d. PACKAGING SPECIFICATION PER MOLEX DRAWING PK-31301-063 (TUBE)

2. DESIGN: MATERIALS:

a. SHROUD (PLASTIC HOUSING):

RESIN - SPS 30%GF
COLOR:
POL A - BLACK
POL B - GRAY
POL C - BROWN
POL D - GREEN

b. 0.64mm PINS:

BASE MATERIAL: C26000
PLATING TYPE: AS NOTED

1.50/2.80mm BLADES:
BASE MATERIAL: C19400
PLATING TYPE: AS NOTED

3. PLATING REQUIREMENTS:

a. UNDERPLATING - OVERALL NICKEL

b. OVERPLATING - OVERALL TIN

4. FOR DESCRIPTION OF INDIVIDUAL BAYS, REFER TO THE FOLLOWING

SINGLE BAY DRAWINGS:
8-20 CKT 0.64: SD-34691-100
10 CKT HYBRID: SD-34696-100
14 CKT HYBRID: SD-34773-010

SYMBOLS										THIS DRAWING CONTAINS INFORMATION THAT IS PROPRIETARY TO MOLEX ELECTRONIC TECHNOLOGIES, LLC AND SHOULD NOT BE USED WITHOUT WRITTEN PERMISSION									
DIMENSION UNITS		SCALE		CURRENT REV DESC:															
▽ = 0	mm	▽ = 0	1:1	EC NO: 612618 DRWN: SHANDITHAVAL 2019/02/22 CHK'D: RBAUMAN 2019/02/23 APPR: RBAUMAN 2019/02/23 INITIAL REVISION: DRWN: JDUNAJ 2009/03/10 APPR: SMARCEAU 2009/03/11															
▽ = 0	GENERAL TOLERANCES (UNLESS SPECIFIED)																		
▽ = 0	ANGULAR TOL ± 1.0°																		
▽ = 0	4 PLACES	±																	
▽ = 0	3 PLACES	±																	
▽ = 0	2 PLACES	± 0.13																	
▽ = 0	1 PLACE	± 0.25																	
▽ = 0	0 PLACES	±																	
▽ = 0	DRAFT WHERE APPLICABLE MUST REMAIN WITHIN DIMENSIONS			THIRD ANGLE PROJECTION		DRAWING		SERIES		MATERIAL NUMBER		CUSTOMER		SHEET NUMBER					
				D-SIZE		34708		GENERAL MARKET		1 OF 6									

molex

3-BAY STAC64 RIGHT ANGLE
HEADER ASSEMBLY SALES DRAWING

PRODUCT CUSTOMER DRAWING

DOCUMENT NUMBER	DOC TYPE	DOC PART	REVISION
SD-34708-300	PSD	001	U8

DIMENSIONAL CHART FOR MULTIBAY CONFIGURATION:

3 BAY PART NUMBER (TUBE PKG)	3 BAY PART NUMBER (TRAY PKG)	BAY A			BAY B			BAY C			DIM 'A'	DIM 'B'	DIM 'C'	DIM 'D'	DIM 'E'
		CKT	TYPE	POL	CKT	TYPE	POL	CKT	TYPE	POL					
	34708-3000	16	0.64mm	B	16	0.64mm	A	12	0.64mm	B	79.52	77.05	22.86	22.86	17.78
	34708-3001	20	0.64mm	A	20	0.64mm	B	12	0.64mm	A	89.86	87.21	27.94	27.94	17.78
	34708-3002	20	0.64mm	A	20	0.64mm	B	14	HYBRID	C	99.84	97.37	27.94	27.94	27.94
	34708-3003	10	HYBRID	A	16	0.64mm	A	8	0.64mm	C	79.52	77.05	27.94	22.86	12.70
	34708-3004	16	0.64mm	A	16	0.64mm	B	16	0.64mm	C	84.60	82.13	22.86	22.86	22.86
	34708-3006	20	0.64mm	D	20	0.64mm	B	20	0.64mm	C	99.84	97.37	27.94	27.94	27.94
TBD	34708-3007	20	0.64mm	A	12	0.64mm	A	20	0.64mm	D	89.68	87.21	27.94	17.78	27.94
TBD	347083008	20	0.64mm	A	10	HYBRID	B	10	HYBRID	A	99.84	97.37	27.94	27.94	27.94
34708-8010	34708-3010	20	0.64mm	A	20	0.64mm	B	16	0.64mm	A	94.76	92.29	27.94	27.94	22.86
TBD	34708-3020	10	HYBRID	A	20	0.64mm	B	20	0.64mm	C	99.84	97.37	27.94	27.94	27.94
TBD	34708-3021	10	HYBRID	A	20	0.64mm	C	20	0.64mm	D	99.84	97.37	27.94	27.94	27.94
TBD	34708-3022	20	0.64mm	B	16	0.64mm	C	10	HYBRID	A	94.76	92.29	27.94	22.86	27.94
TBD	34708-3030	16	0.64mm	A	12	0.64mm	A	10	HYBRID	A	84.60	82.13	22.86	17.78	27.94
TBD	34708-3040	20	0.64mm	A	8	0.64mm	A	10	HYBRID	A	84.60	82.13	27.94	12.70	27.94
TBD	34708-3050	10	HYBRID	A	16	0.64mm	B	16	0.64mm	C	89.68	87.21	27.94	22.86	22.86
TBD	34708-3060	16	0.64mm	A	20	0.64mm	C	20	0.64mm	D	94.76	92.29	22.86	27.94	27.94
34708-8070	34708-3070	20	0.64mm	A	20	0.64mm	B	10	HYBRID	A	99.84	97.37	27.94	27.94	27.94
TBD	34708-3071	20	0.64mm	A	10	HYBRID	A	10	HYBRID	B	99.84	97.37	27.94	27.94	27.94
TBD	34708-3080	12	0.64mm	A	12	0.64mm	B	16	0.64mm	A	74.44	71.97	17.78	17.78	22.86
TBD	34708-3081	20	0.64mm	D	12	0.64mm	B	20	0.64mm	C	89.68	87.21	27.94	17.78	27.94
TBD	34708-3082	12	0.64mm	C	8	0.64mm	A	8	0.64mm	B	59.20	56.73	17.78	12.70	12.70
TBD	34708-3083	8	0.64mm	C	16	0.64mm	B	16	0.64mm	C	74.44	71.97	12.70	22.86	22.86
TBD	34708-3084	16	0.64mm	A	8	0.64mm	A	8	0.64mm	B	64.28	61.81	22.86	12.70	12.70
TBD	34708-3085	20	0.64mm	A	20	0.64mm	B	20	0.64mm	C	99.84	97.37	27.94	27.94	27.94
TBD	34708-3086	20	0.64mm	A	20	0.64mm	B	8	0.64mm	A	84.60	82.13	27.94	27.94	12.70
TBD	34708-3087	20	0.64mm	A	16	0.64mm	A	8	0.64mm	A	79.52	77.05	27.94	22.86	12.70
TBD	34708-3088	12	0.64mm	A	16	0.64mm	A	12	0.64mm	B	74.44	71.97	17.78	22.86	17.78
TBD	34708-3089	16	0.64mm	A	16	0.64mm	B	20	0.64mm	A	89.68	87.21	22.86	22.86	27.94
TBD	34708-3090	16	0.64mm	C	16	0.64mm	A	8	0.64mm	B	74.44	71.97	22.86	22.86	12.70
TBD	34708-3091	20	0.64mm	C	12	0.64mm	C	16	0.64mm	B	84.60	82.13	27.94	17.78	22.86
TBD	34708-3092	12	0.64mm	B	8	0.64mm	C	20	0.64mm	D	74.44	71.97	17.78	12.70	27.94
TBD	34708-3093	16	0.64mm	B	16	0.64mm	A	8	0.64mm	A	74.44	71.97	22.86	22.86	12.70
TBD	34708-3094	20	0.64mm	D	20	0.64mm	B	8	0.64mm	A	84.60	82.13	27.94	27.94	12.70
TBD	34708-3095	20	0.64mm	A	16	0.64mm	C	12	0.64mm	B	84.60	82.13	27.94	22.86	17.78
TBD	34708-3096	16	0.64mm	A	16	0.64mm	B	20	0.64mm	C	89.68	87.21	22.86	22.86	27.94
TBD	34708-3097	16	0.64mm	C	12	0.64mm	B	20	0.64mm	A	84.60	82.13	22.86	17.78	27.94
TBD	34708-3098	20	0.64mm	B	20	0.64mm	C	20	0.64mm	D	99.84	97.37	27.94	27.94	27.94

SYMBOLS	THIS DRAWING CONTAINS INFORMATION THAT IS PROPRIETARY TO MOLEX ELECTRONIC TECHNOLOGIES, LLC AND SHOULD NOT BE USED WITHOUT WRITTEN PERMISSION	
	DIMENSION UNITS	SCALE
▽ = 0	mm	1:1
▽ = 0	GENERAL TOLERANCES (UNLESS SPECIFIED)	
▽ = 0	ANGULAR TOL ± 1.0°	
▽ = 0	4 PLACES	±
▽ = 0	3 PLACES	±
▽ = 0	2 PLACES	± 0.13
▽ = 0	1 PLACE	± 0.25
▽ = 0	0 PLACES	±
■ = 0	DRAFT WHERE APPLICABLE MUST REMAIN WITHIN DIMENSIONS	
▽ = 0	THIRD ANGLE PROJECTION	DRAWING
	D-SIZE	SERIES
	34708	
CURRENT REV DESC:		
EC NO: 612618		
DRWN: SHANDITHAVAL 2019/02/22		
CHK'D: RBAUMAN 2019/02/23		
APPR: RBAUMAN 2019/02/23		
INITIAL REVISION:		
DRWN: JDUNAJ 2009/03/10		
APPR: SMARCEAU 2009/03/11		
DOCUMENT NUMBER	DOC TYPE	DOC PART
SD-34708-300	PSD	001
REVISION		
U8		
MATERIAL NUMBER	CUSTOMER	SHEET NUMBER
	GENERAL MARKET	2 OF 6

DIMENSIONAL CHART FOR MULTIBAY CONFIGURATION:

3 BAY PART NUMBER (TUBE PKG)	3 BAY PART NUMBER (TRAY PKG)	BAY A			BAY B			BAY C			DIM 'A'	DIM 'B'	DIM 'C'	DIM 'D'	DIM 'E'
		CKT	TYPE	POL	CKT	TYPE	POL	CKT	TYPE	POL					
	34708-3099	10	HYBRID	A	20	0.64mm	D	10	HYBRID	B	99.84	97.37	27.94	27.94	27.94

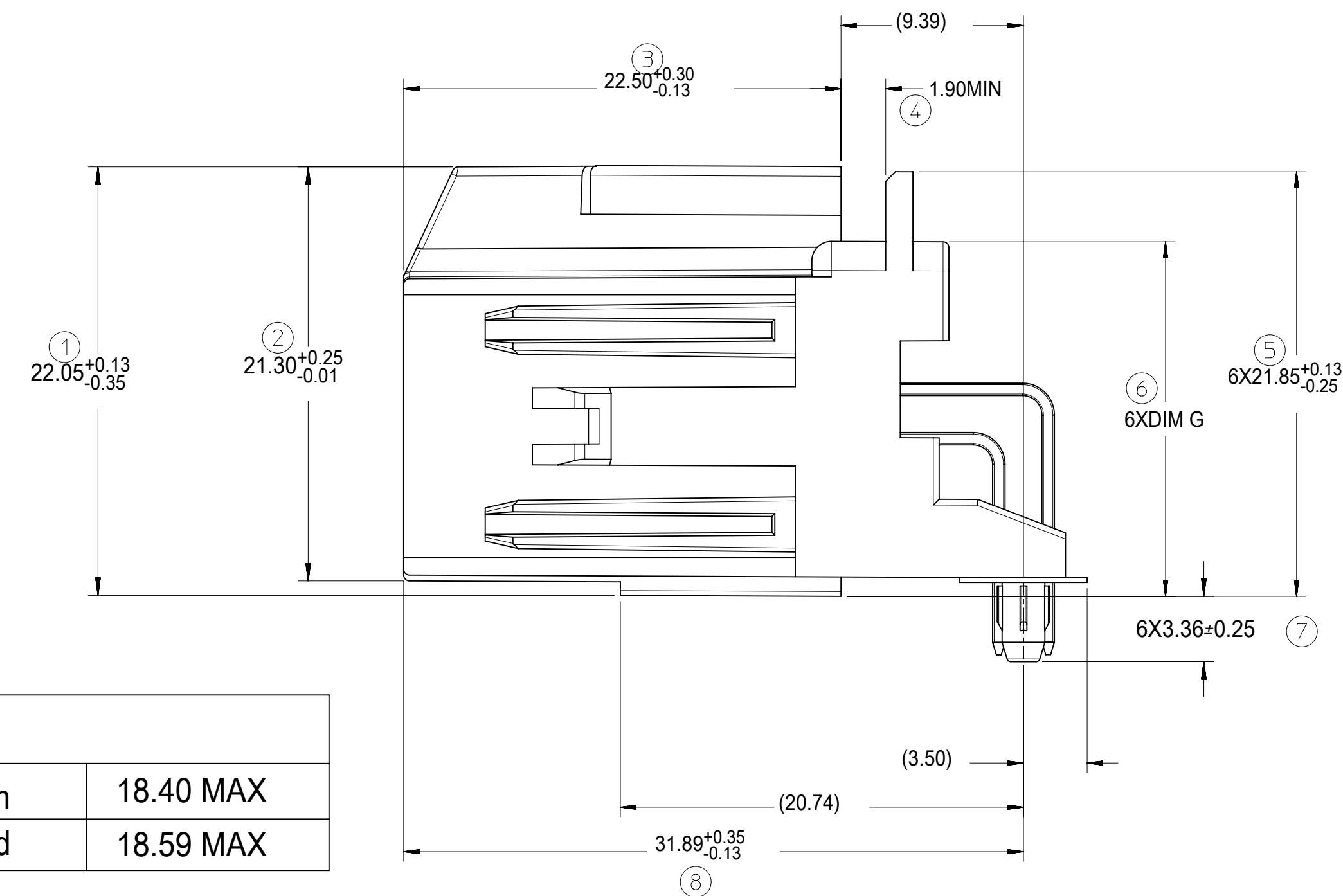
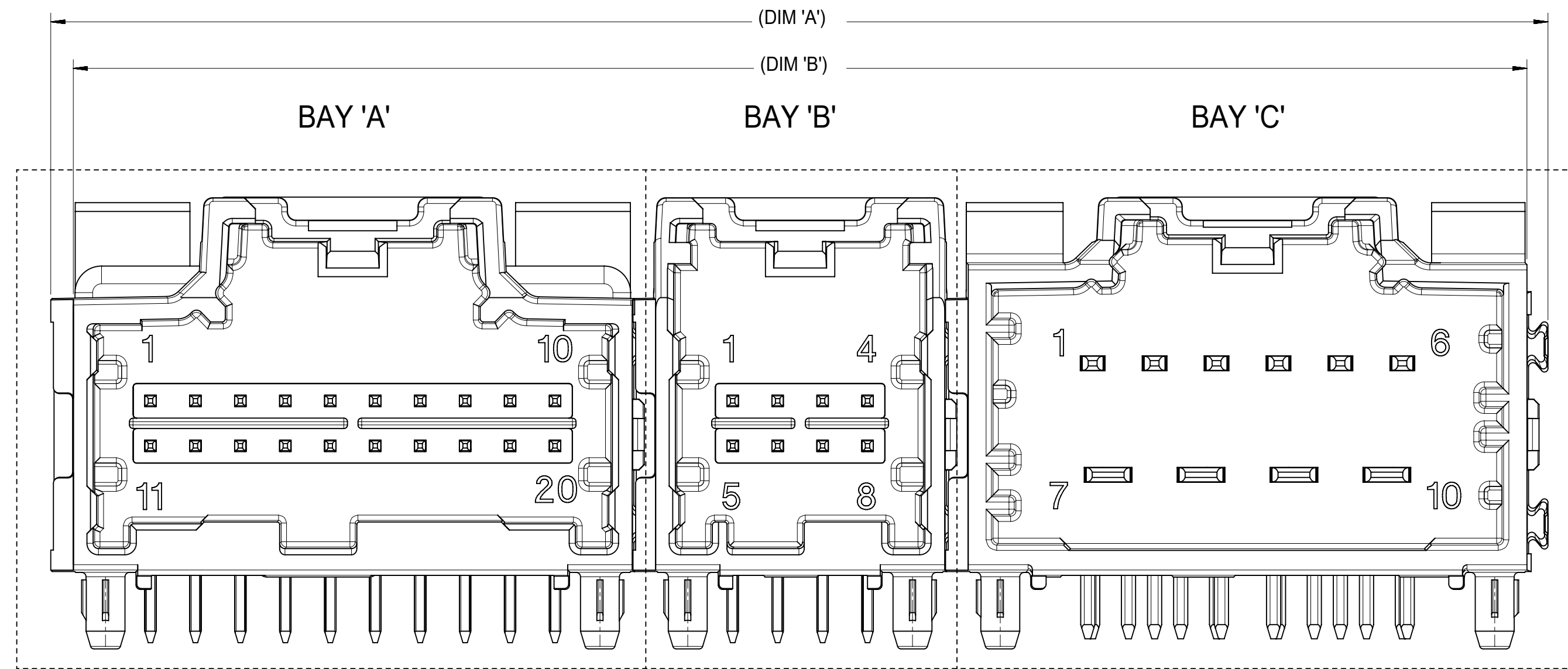
SYMBOLS	THIS DRAWING CONTAINS INFORMATION THAT IS PROPRIETARY TO MOLEX ELECTRONIC TECHNOLOGIES, LLC AND SHOULD NOT BE USED WITHOUT WRITTEN PERMISSION										
		DIMENSION UNITS	SCALE	CURRENT REV DESC:							molex
		mm	1:1	EC NO: 612618							
		GENERAL TOLERANCES (UNLESS SPECIFIED)		DRWN: SHANDITHAVAL 2019/02/22							
		ANGULAR TOL ± 1.0°		CHK'D: RBAUMAN 2019/02/23							
		4 PLACES ±		APPR: RBAUMAN 2019/02/23							
		3 PLACES ±		INITIAL REVISION:							
		2 PLACES ± 0.13		DRWN: JDUNAJ 2009/03/10							
		1 PLACE ± 0.25		APPR: SMARCEAU 2009/03/11							
		0 PLACES ±		DRAFT WHERE APPLICABLE MUST REMAIN WITHIN DIMENSIONS		THIRD ANGLE PROJECTION	DRAWING	SERIES	MATERIAL NUMBER	CUSTOMER	SHEET NUMBER
						D-SIZE	34708		GENERAL MARKET	6 OF 6	

molex

3-BAY STAC64 RIGHT ANGLE
HEADER ASSEMBLY SALES DRAWING

PRODUCT CUSTOMER DRAWING

DOCUMENT NUMBER	DOC TYPE	DOC PART	REVISION
SD-34708-300	PSD	001	U8

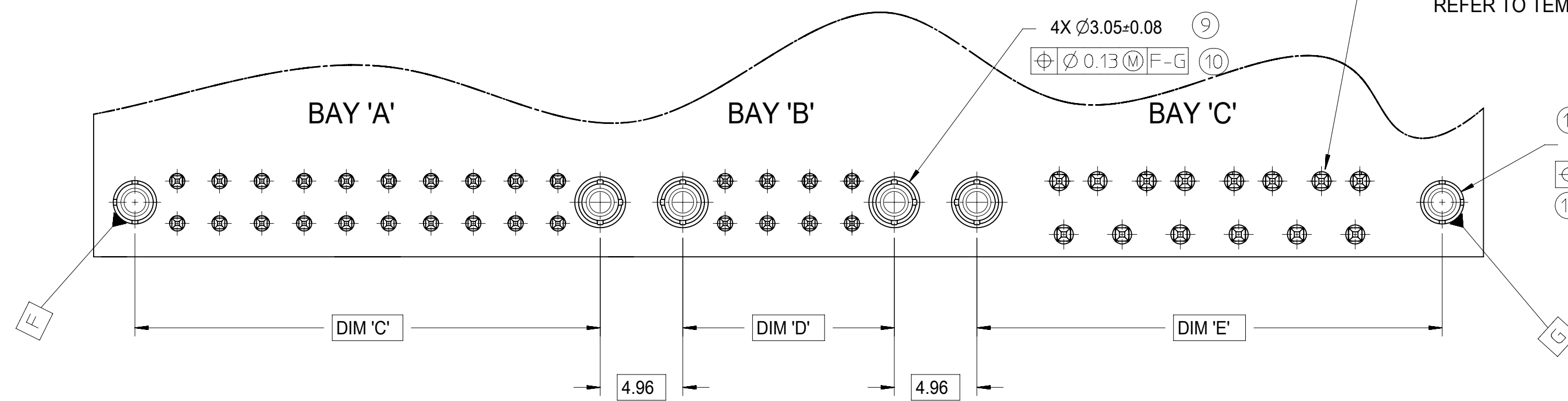


FOR DIM G:	
8-20CKT 0.64mm	18.40 MAX
10/14CKT Hybrid	18.59 MAX

RECOMMENDED PCB LAYOUT

INSERT NECESSARY BAYS USING CHART ON SHEET 2

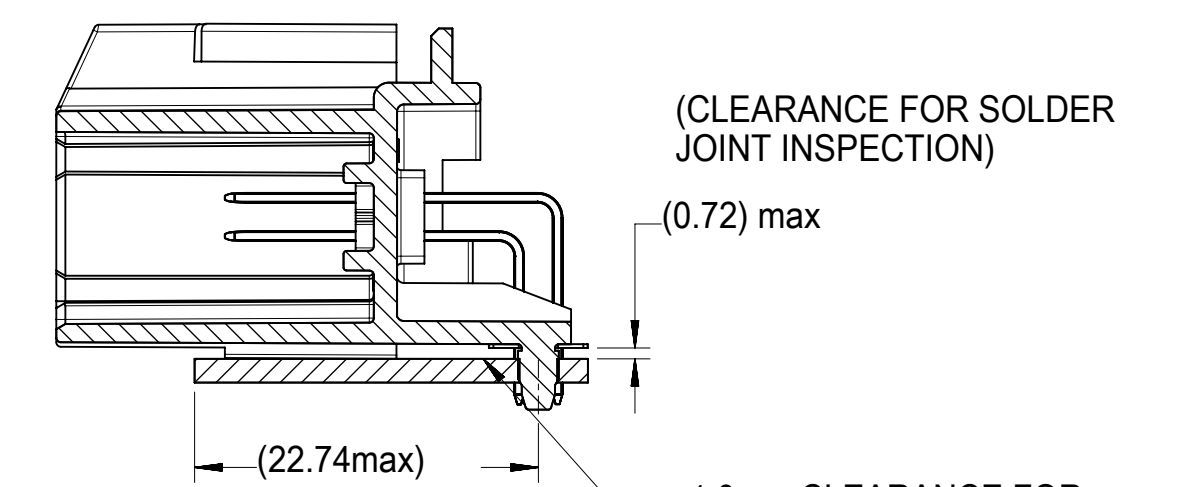
FOR PIN LOCATION, REFER TO TEMPLATES ON SHEET 5



POST HOLE TABLE:

FOR DIM Z:	
PRESS FIT:	2.60
DROP IN:	3.05

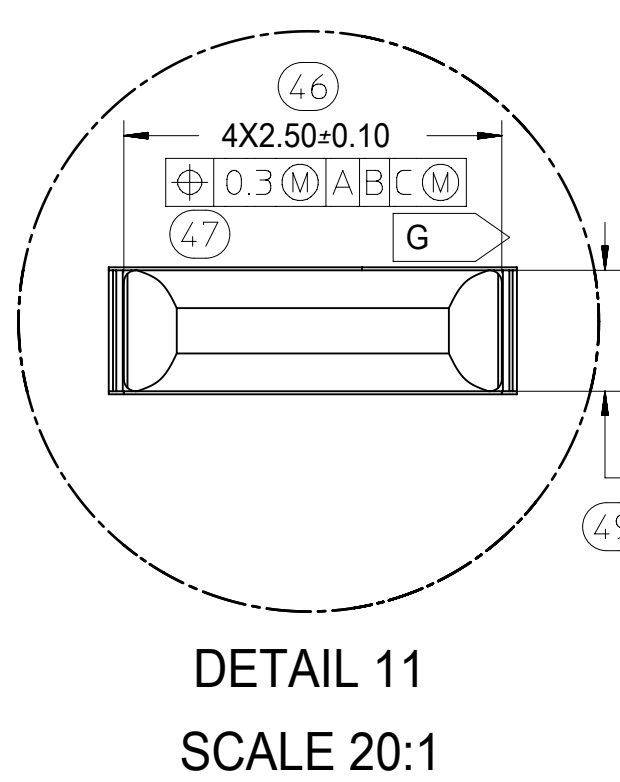
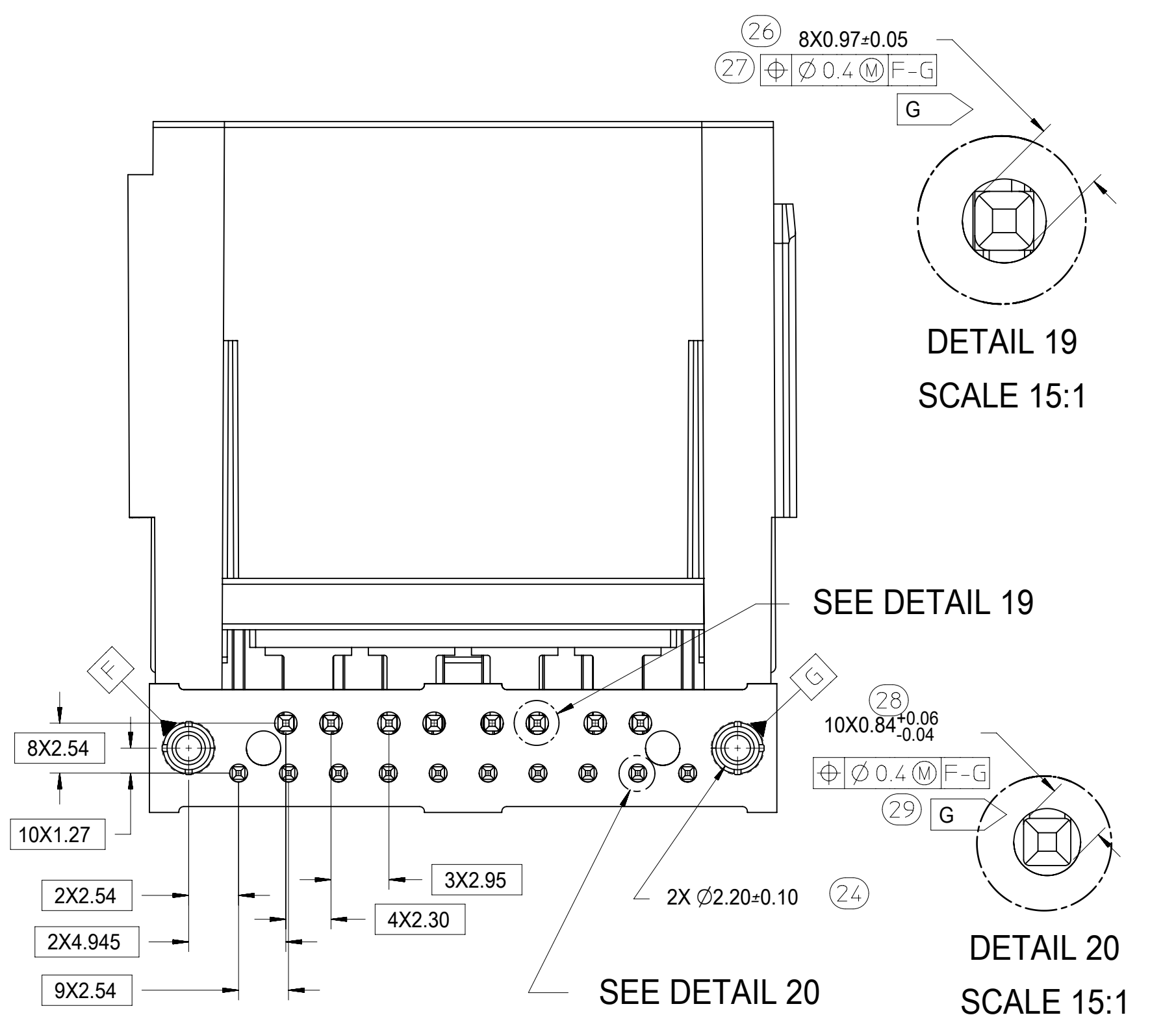
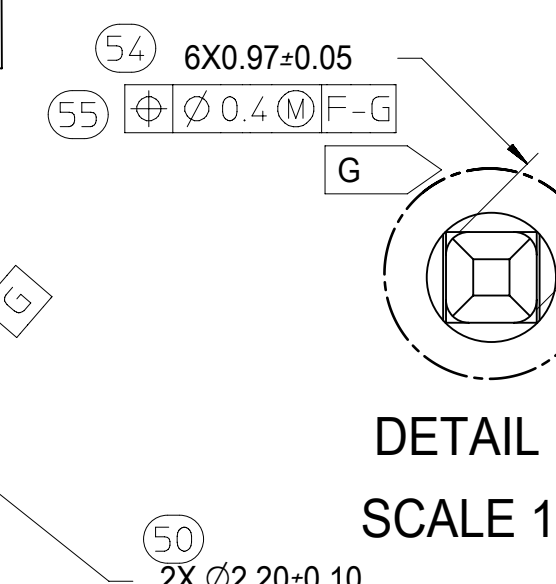
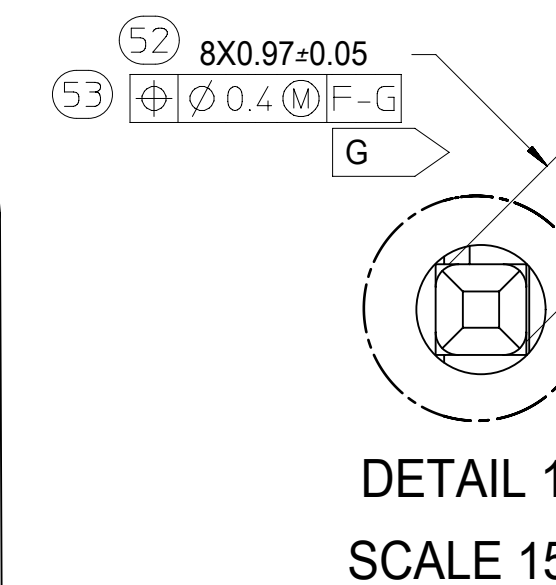
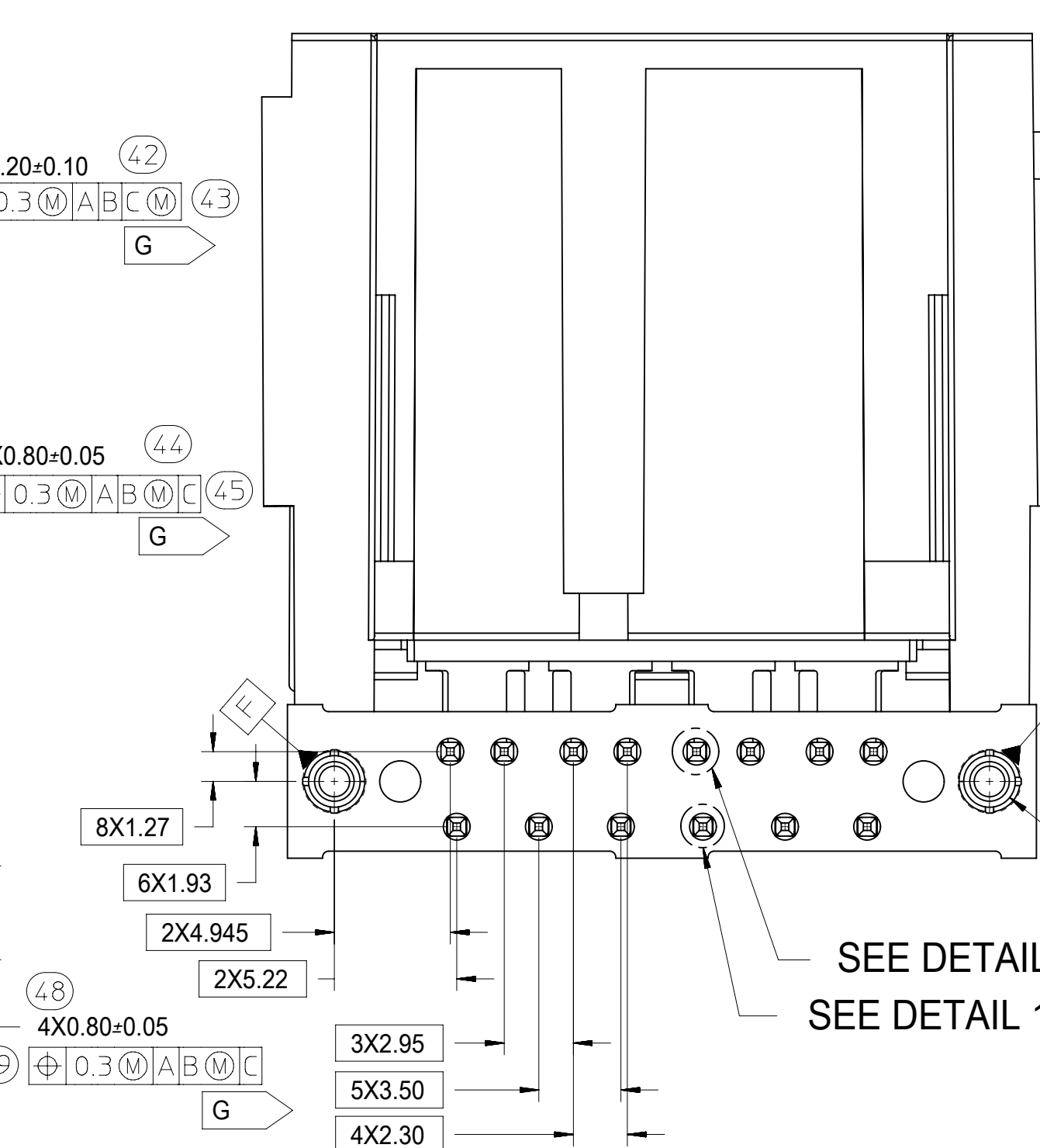
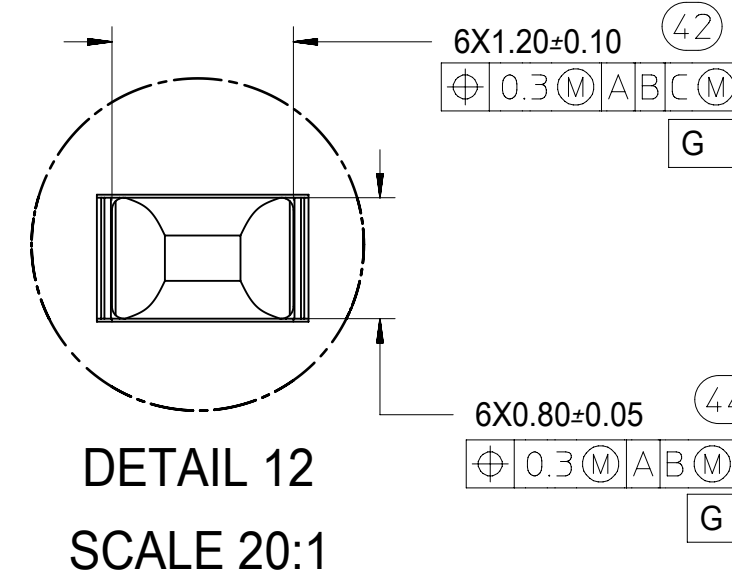
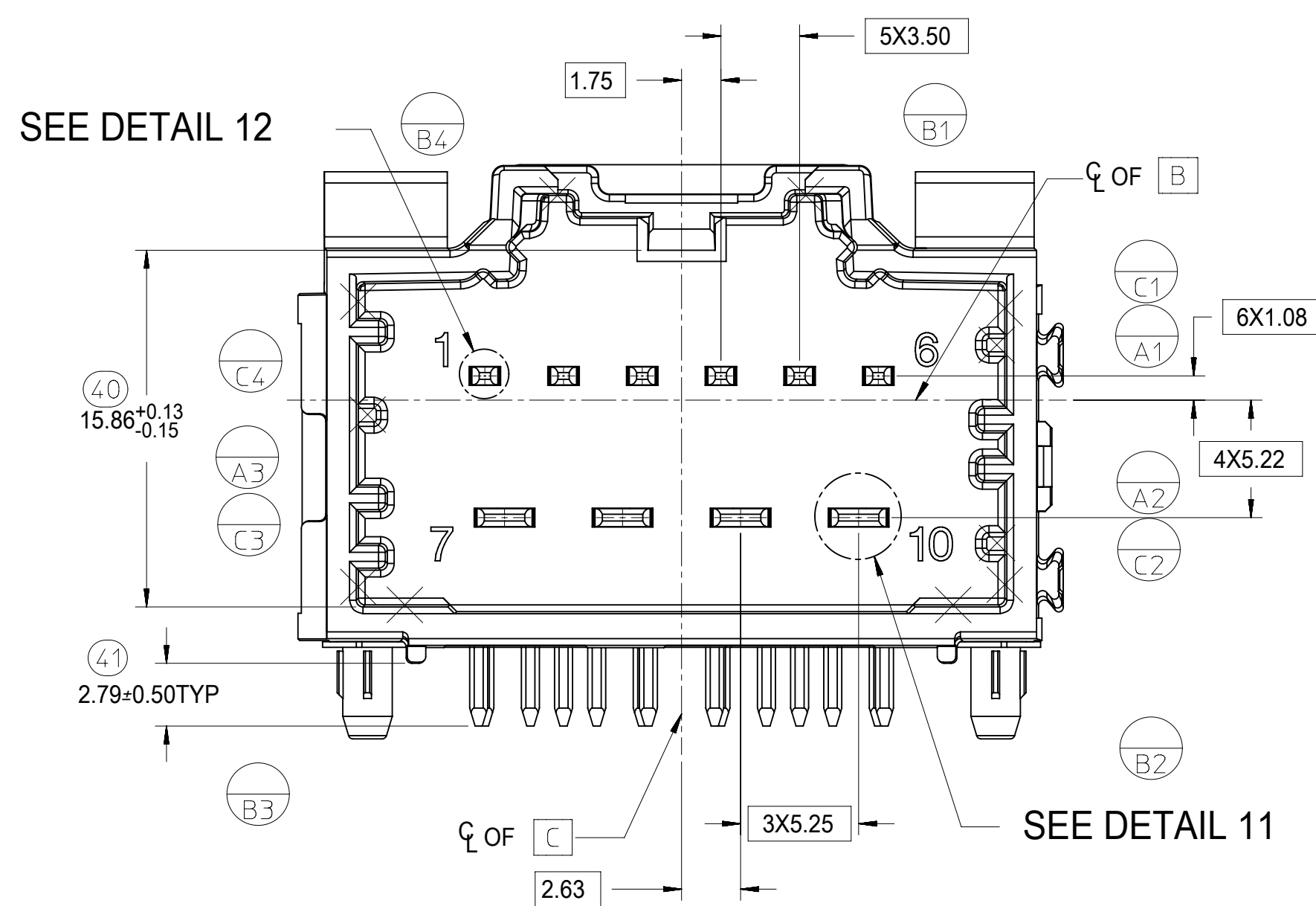
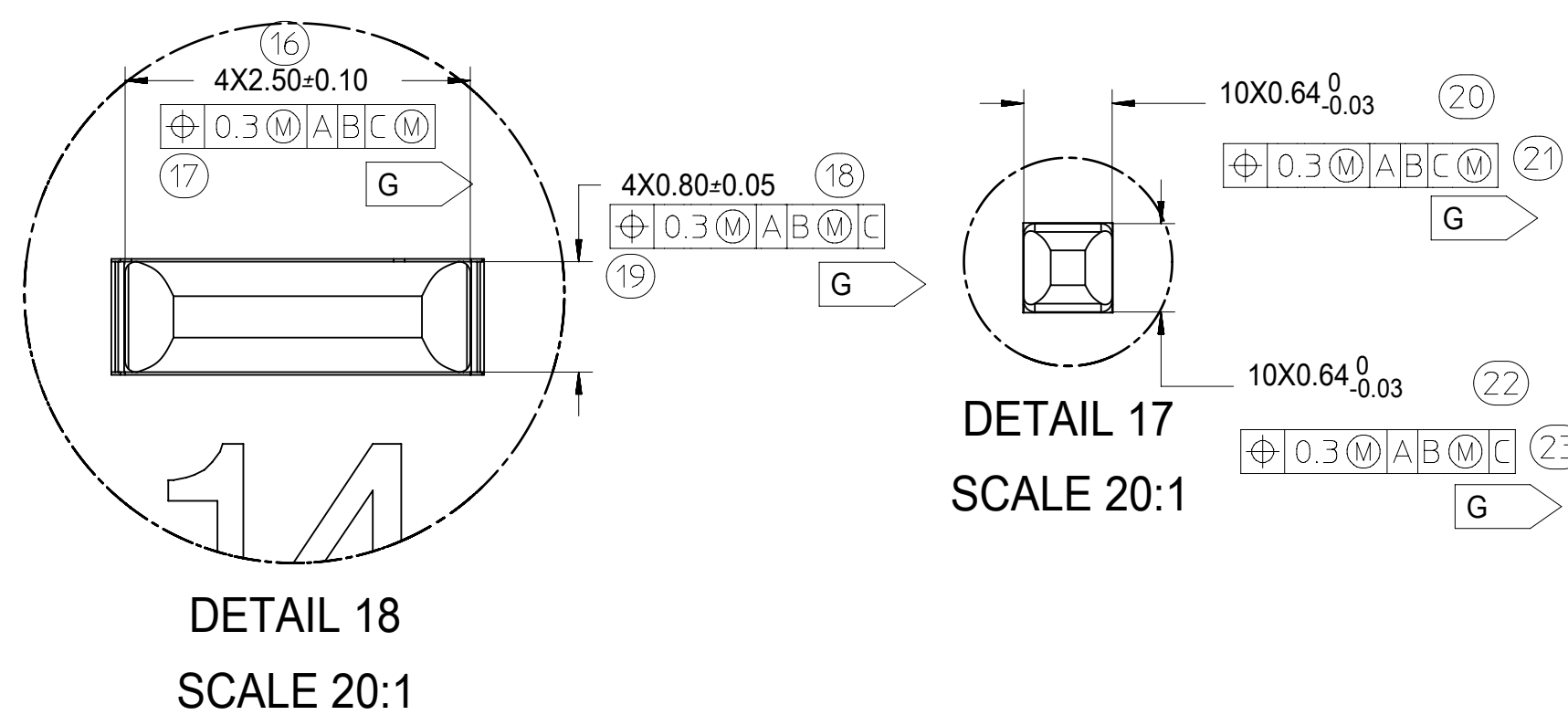
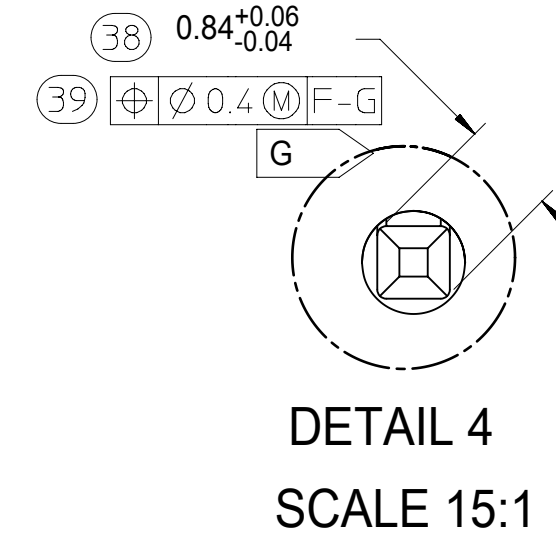
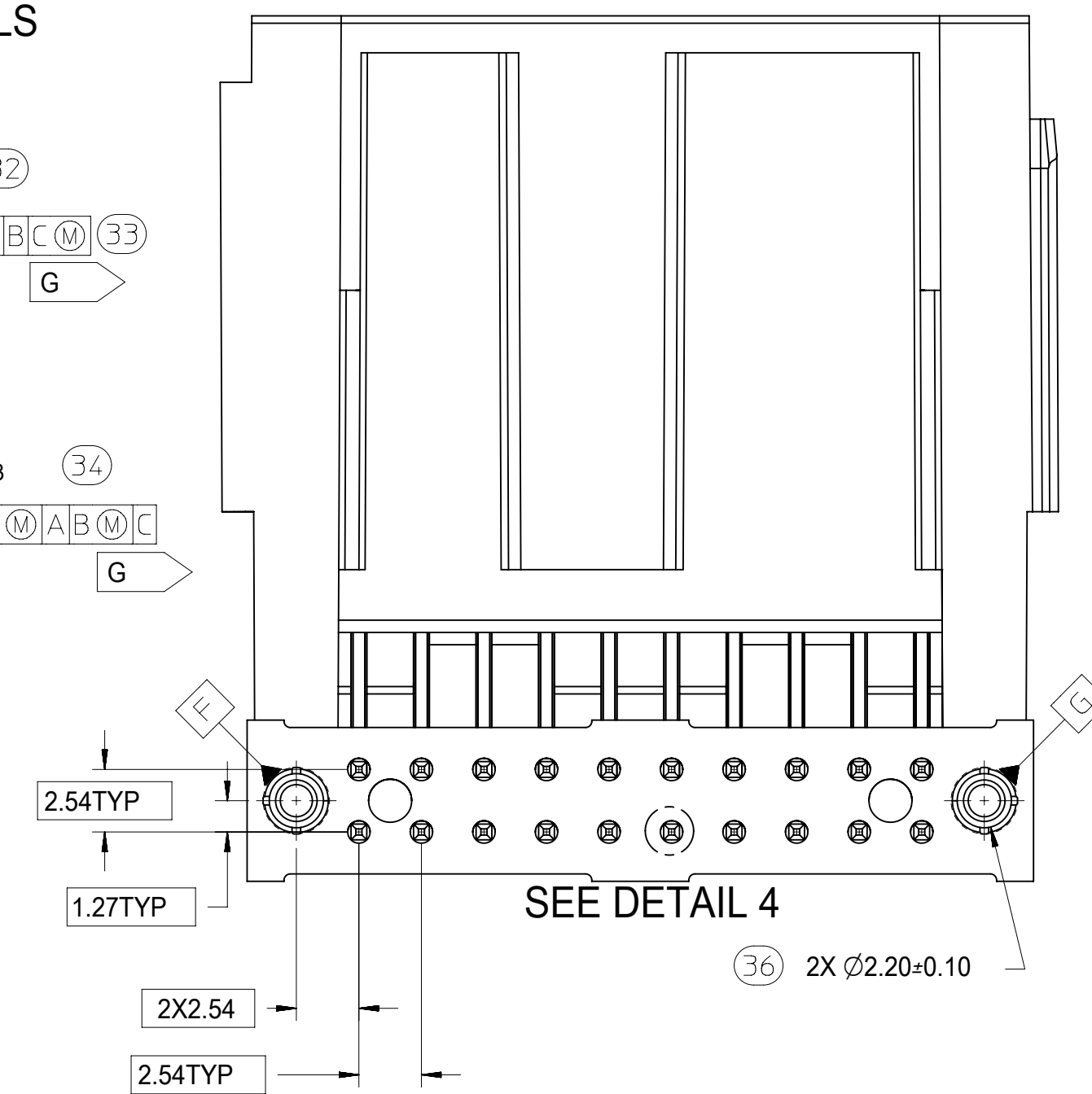
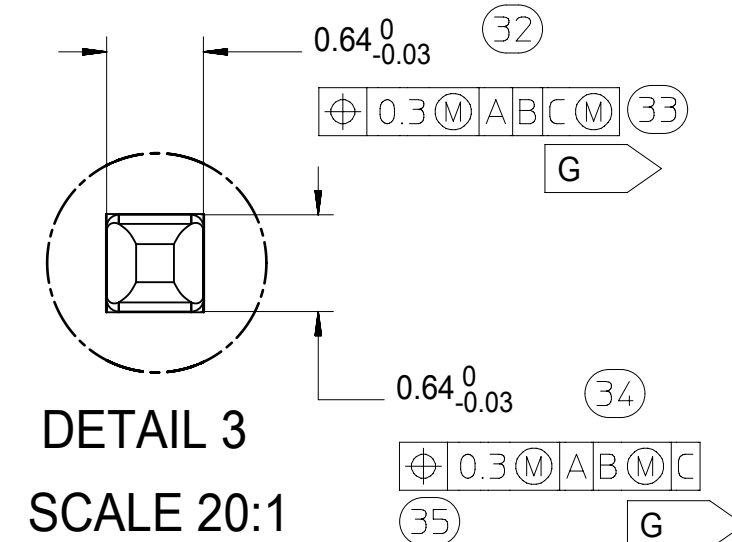
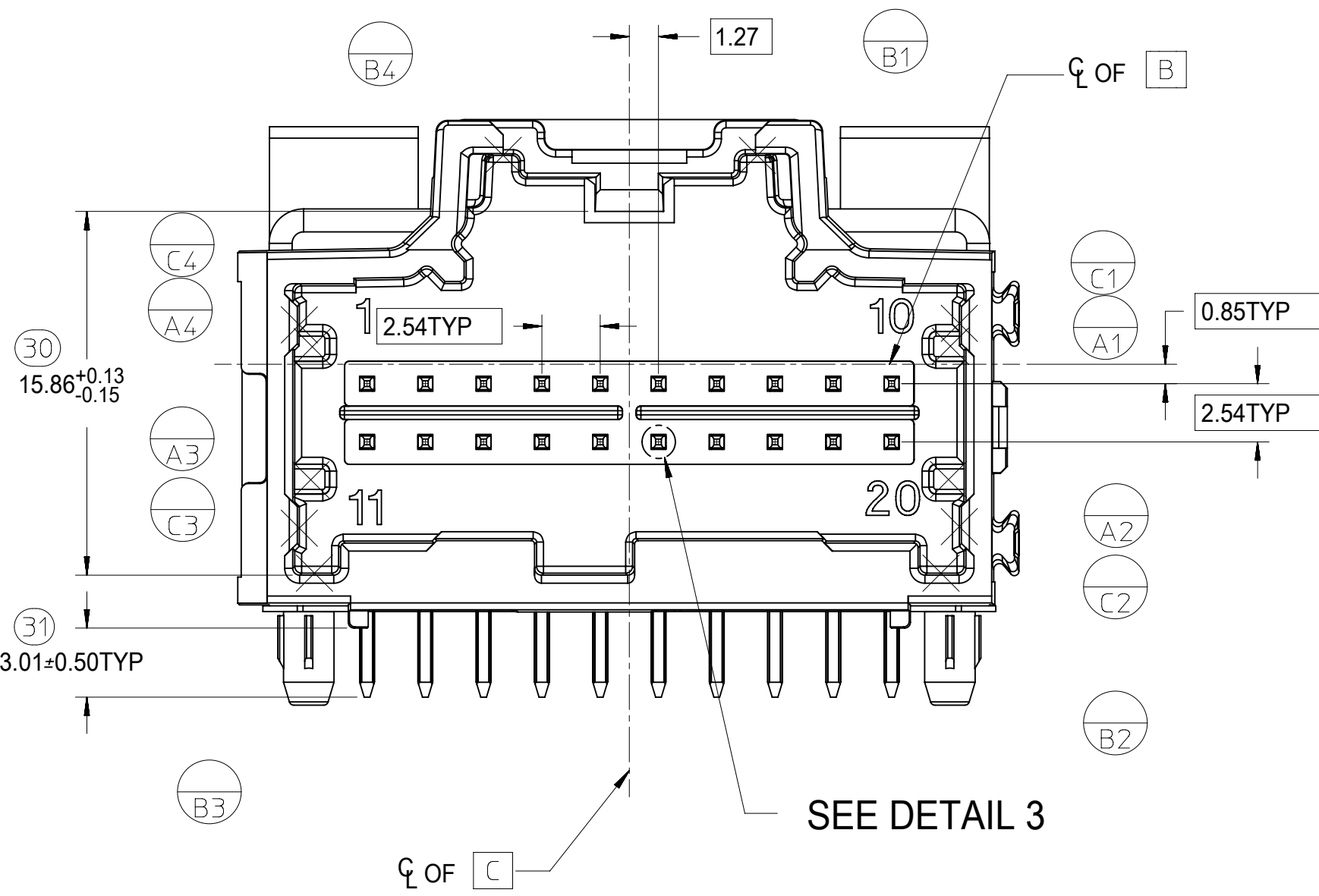
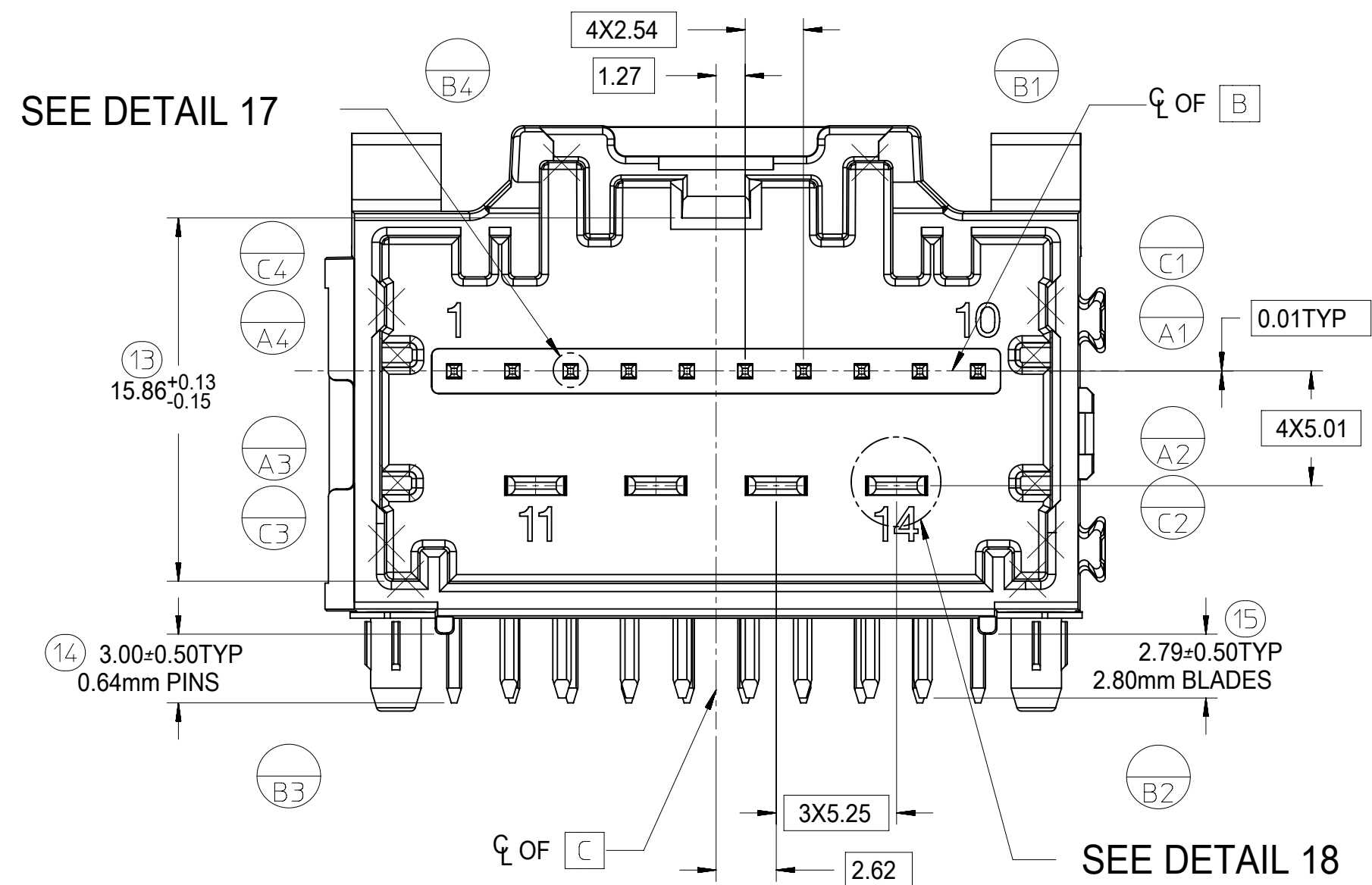
ALL CIRCUIT SIZES



FLUSH MOUNTING:
HEADER-TO-PCB
SCALE 2:1

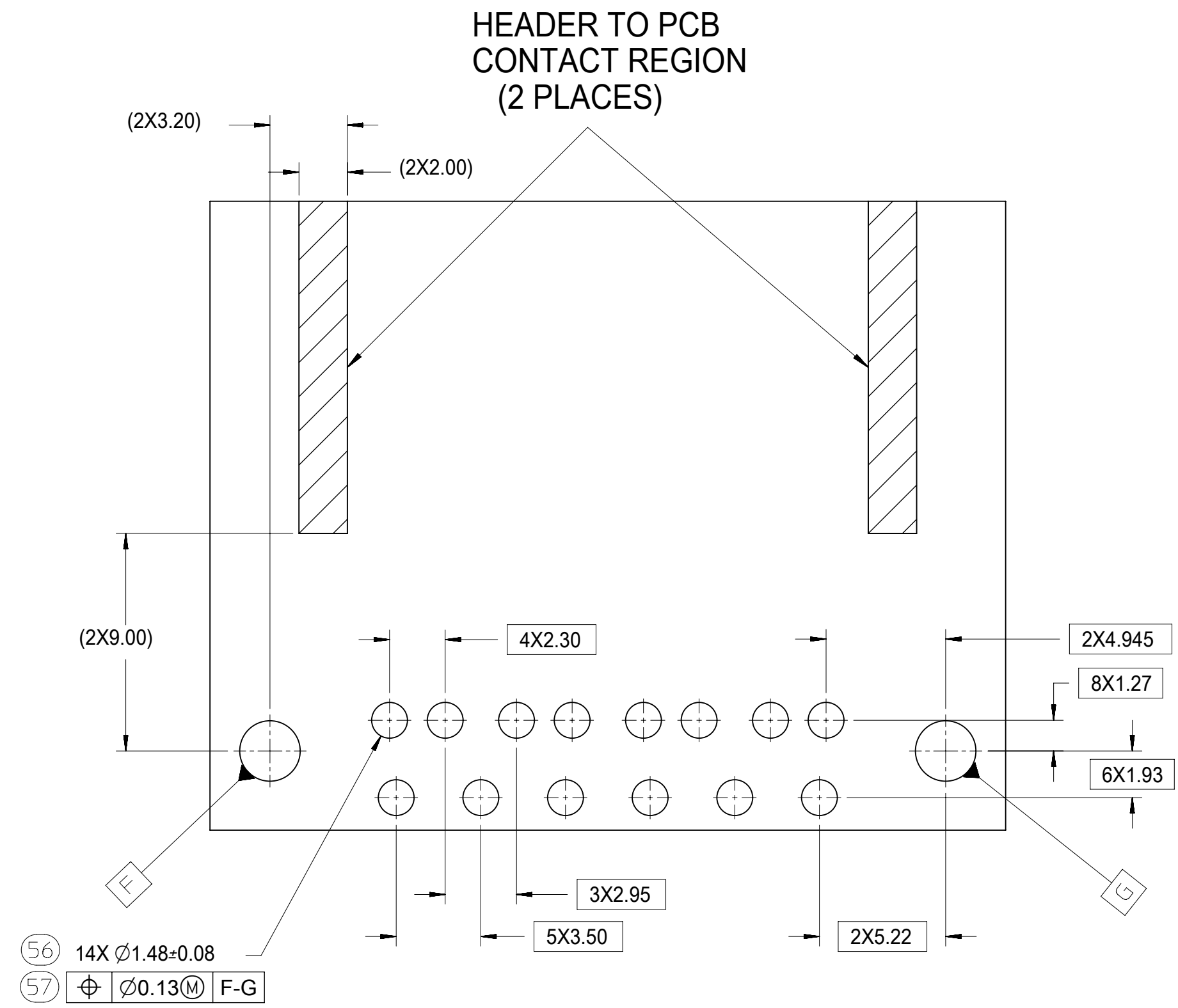
SYMBOLS	THIS DRAWING CONTAINS INFORMATION THAT IS PROPRIETARY TO MOLEX ELECTRONIC TECHNOLOGIES, LLC AND SHOULD NOT BE USED WITHOUT WRITTEN PERMISSION		CURRENT REV DESC:	
$\nabla = 0$	DIMENSION UNITS	SCALE		
$\nabla = 0$	mm	1:1		
$\nabla = 0$	GENERAL TOLERANCES (UNLESS SPECIFIED)			
$\nabla = 0$	ANGULAR TOL	$\pm 1.0^\circ$		
$\nabla = 0$	4 PLACES	\pm		
$\nabla = 0$	3 PLACES	\pm		
$\nabla = 0$	2 PLACES	± 0.13		
$\nabla = 0$	1 PLACE	± 0.25		
$\nabla = 0$	0 PLACES	\pm		
$\nabla = 0$	DRAFT WHERE APPLICABLE MUST REMAIN WITHIN DIMENSIONS			
$\nabla = 0$	THIRD ANGLE PROJECTION	DRAWING	SERIES	
$\nabla = 0$		D-SIZE	34708	
molex				
3-BAY STAC64 RIGHT ANGLE HEADER ASSEMBLY SALES DRAWING				
PRODUCT CUSTOMER DRAWING				
DOCUMENT NUMBER		DOC TYPE	DOC PART	REVISION
SD-34708-300		PSD	001	U8
MATERIAL NUMBER		CUSTOMER		SHEET NUMBER
		GENERAL MARKET		3 OF 6

8-20 CKT 0.64mm HEADER DETAILS

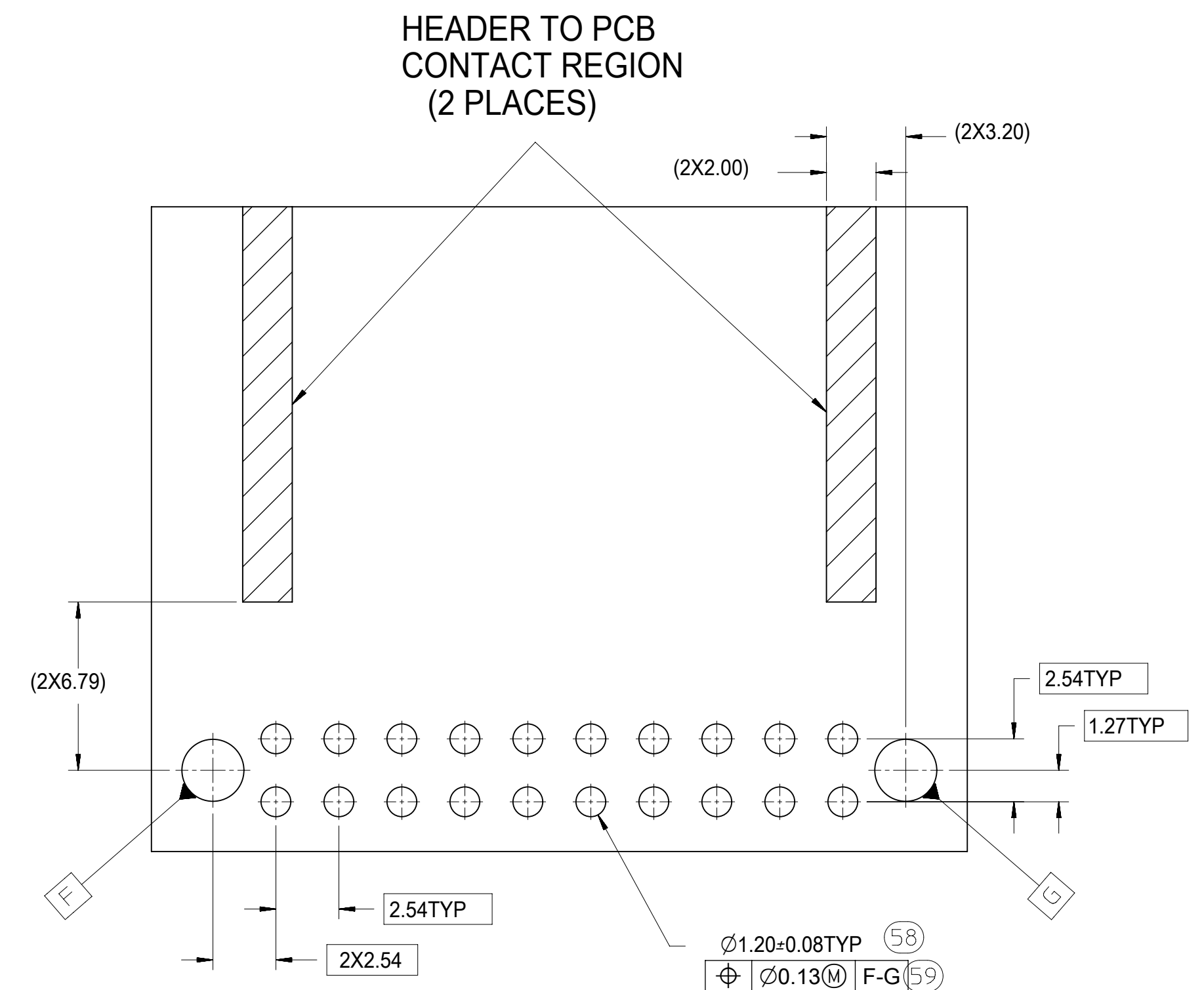


SYMBOLS	THIS DRAWING CONTAINS INFORMATION THAT IS PROPRIETARY TO MOLEX ELECTRONIC TECHNOLOGIES, LLC AND SHOULD NOT BE USED WITHOUT WRITTEN PERMISSION		CURRENT REV DESC:	
	DIMENSION UNITS	SCALE		
▽ = 0	mm	1:1		
▽ = 0	GENERAL TOLERANCES (UNLESS SPECIFIED)			
▽ = 0	ANGULAR TOL ± 1.0°			
▽ = 0	4 PLACES ±			
▽ = 0	3 PLACES ±			
▽ = 0	2 PLACES ± 0.13			
▽ = 0	1 PLACE ± 0.25			
▽ = 0	0 PLACES ±			
■ = 0	DRAFT WHERE APPLICABLE MUST REMAIN WITHIN DIMENSIONS		THIRD ANGLE PROJECTION 	DRAWING SERIES D-SIZE 34708
▽ = 0				MATERIAL NUMBER CUSTOMER SHEET NUMBER SD-34708-300 GENERAL MARKET 4 OF 6

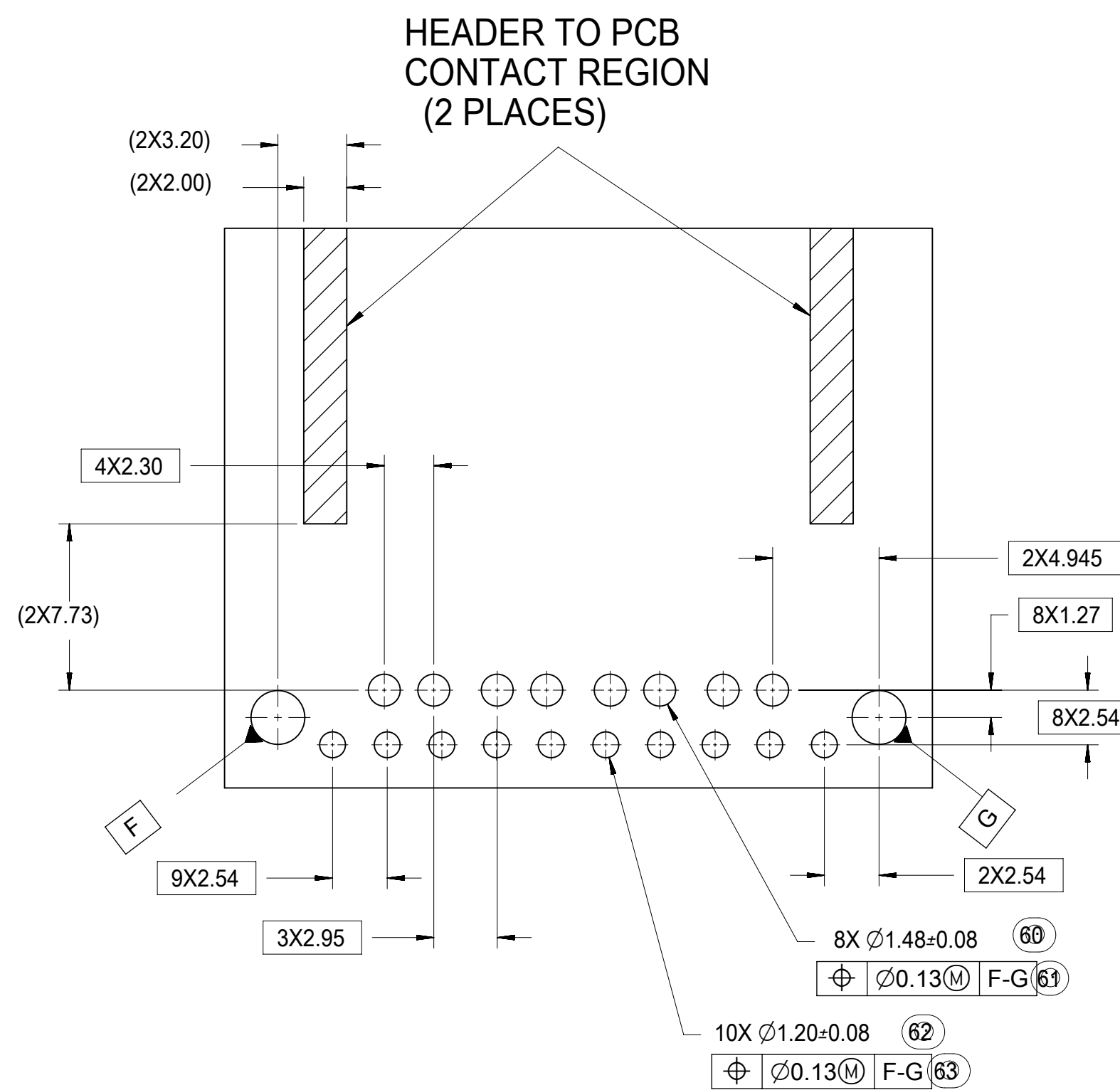
10 CKT HYBRID TEMPLATE PCB LAYOUT



8-20 CKT 0.64mm TEMPLATE PCB LAYOUT



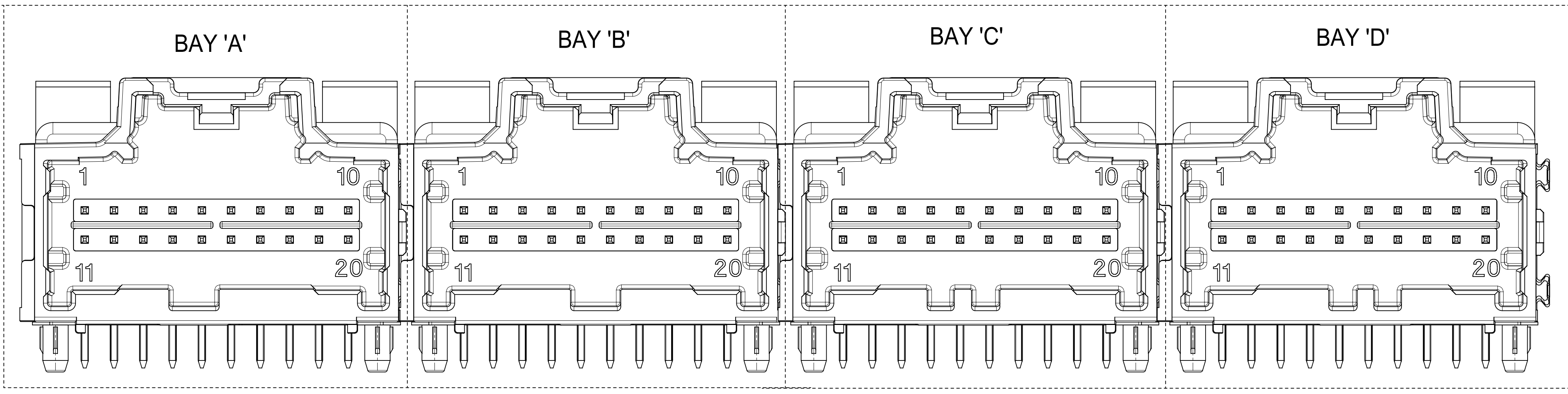
14 CKT HYBRID TEMPLATE PCB LAYOUT



SYMBOLS	THIS DRAWING CONTAINS INFORMATION THAT IS PROPRIETARY TO MOLEX ELECTRONIC TECHNOLOGIES, LLC AND SHOULD NOT BE USED WITHOUT WRITTEN PERMISSION		
	DIMENSION UNITS	SCALE	CURRENT REV DESC:
▽ = 0	mm	1:1	
▽ = 0	GENERAL TOLERANCES (UNLESS SPECIFIED)		
▽ = 0	ANGULAR TOL	± 1.0°	EC NO: 612618
▽ = 0	4 PLACES	±	DRWN: SHANDITHAVAL 2019/02/22
▽ = 0	3 PLACES	±	CHK'D: RBAUMAN 2019/02/23
▽ = 0	2 PLACES	± 0.13	APPR: RBAUMAN 2019/02/23
▽ = 0	1 PLACE	± 0.25	INITIAL REVISION:
▽ = 0	0 PLACES	±	DRWN: JDUNAJ 2009/03/10
▽ = 0	DRAFT WHERE APPLICABLE MUST REMAIN WITHIN DIMENSIONS		
▽ = 0	THIRD ANGLE PROJECTION	DRAWING	SERIES
		D-SIZE	34708
		MATERIAL NUMBER	CUSTOMER
		SD-34708-300	GENERAL MARKET
		DOC TYPE	DOC PART
		PSD	001
		REVISION	U8
		SHEET NUMBER	
		5 OF 6	

TABLE OF CONTENTS	
1	NOTES, INSPECTION BALLOON NUMBER LOG, REV.TABLE, 4 BAY ASSEMBLY VIEW
2	DIMENSIONAL CHART FOR MULTIBAY CONFIGURATION
3	4 BAY ASSEMBLY VIEW, RECOMMENDED PCB LAYOUT, FLUSH MOUNTING VIEW, POST HOLE TABLE, DIMENSION DETAILS
4	8-20CKT 0.64MM HEADER DETAILS, 14CKT HYBRID HEADER DETAILS, 10CKT HYBRID HEADER DETAILS
5	RECOMMENDED SINGLE PCB LAYOUT FOR 10CKT HYBRID, 14CKT HYBRID, AND 8-20CKT 0.64MM

4 BAY STAC64 RIGHT ANGLE HEADER ASSEMBLY (P/N: 34708-4000 SHOWN)



- (P1) NOTES: VALID UNLESS OTHERWISE SPECIFIED**
1. GENERAL:
 - a. CONNECTOR HEADER MUST BE VALIDATED TO THE FOLLOWING FUNCTIONAL REQUIREMENTS:
 PRODUCT SPECIFICATION:
 8-20 CKT 0.64 PRODUCT SPEC: PS-34729-020/PS-31408-100
 10 CKT HYBRID PRODUCT SPEC: PS-31372-100
 14 CKT HYBRID PRODUCT SPEC: PS-34969-100
 - b. APPLICATION REQUIREMENTS (REFERENCE ONLY):
 APPLICATION SPECIFICATION: AS-34729-020/AS-31408-100
 - c. PACKAGING SPECIFICATION PER MOLEX DRAWING PK-31300-892 (TRAY)
 - d. PACKAGING SPECIFICATION PER MOLEX DRAWING PK-31301-063 (TUBE)
 - e. PACKAGING SPECIFICATION PER MOLEX DRAWING PK-31300-894 (ALT TRAY)
 2. DESIGN: MATERIALS:
 - a. SHROUD (PLASTIC HOUSING):
 RESIN - SPS
 - b. 0.64mm PINS:
 BASE MATERIAL: COPPER ALLOY
 PLATING TYPE: AS NOTED
 - 1.50/2.80mm BLADES:
 BASE MATERIAL: COPPER ALLOY
 PLATING TYPE: AS NOTED
 3. PLATING REQUIREMENTS:
 - a. UNDERPLATING - OVERALL NICKEL
 - b. OVERPLATING - OVERALL TIN
 4. FOR DESCRIPTION OF INDIVIDUAL BAYS, REFER TO THE FOLLOWING SINGLE BAY DRAWINGS:
 8-20 CKT 0.64: SD-34691-100
 10 CKT HYBRID: SD-34696-100
 14 CKT HYBRID: SD-34773-100
 5. **G** DENOTES DIMENSIONS THAT MAY BE QUALIFIED WITH A GAUGE.

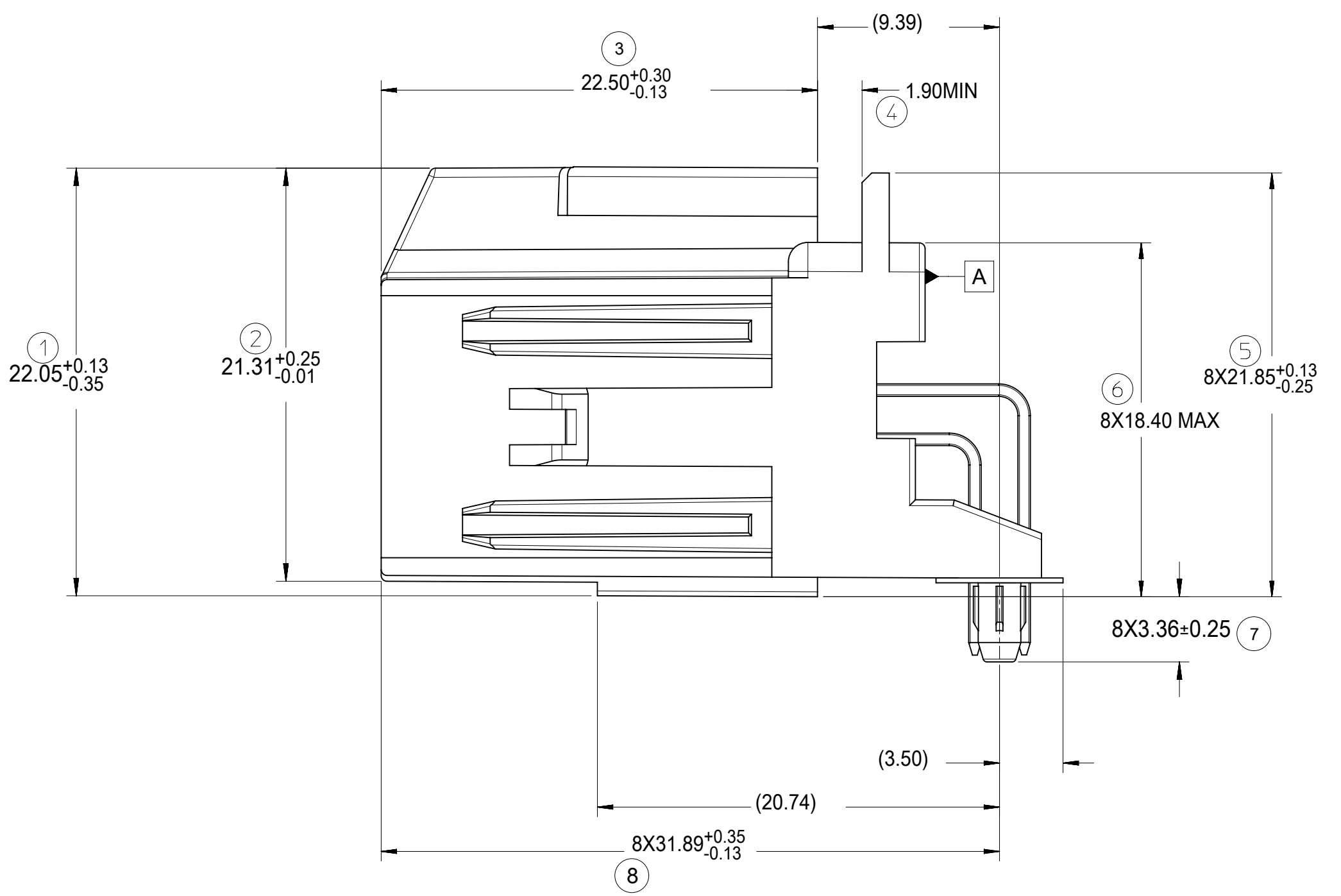
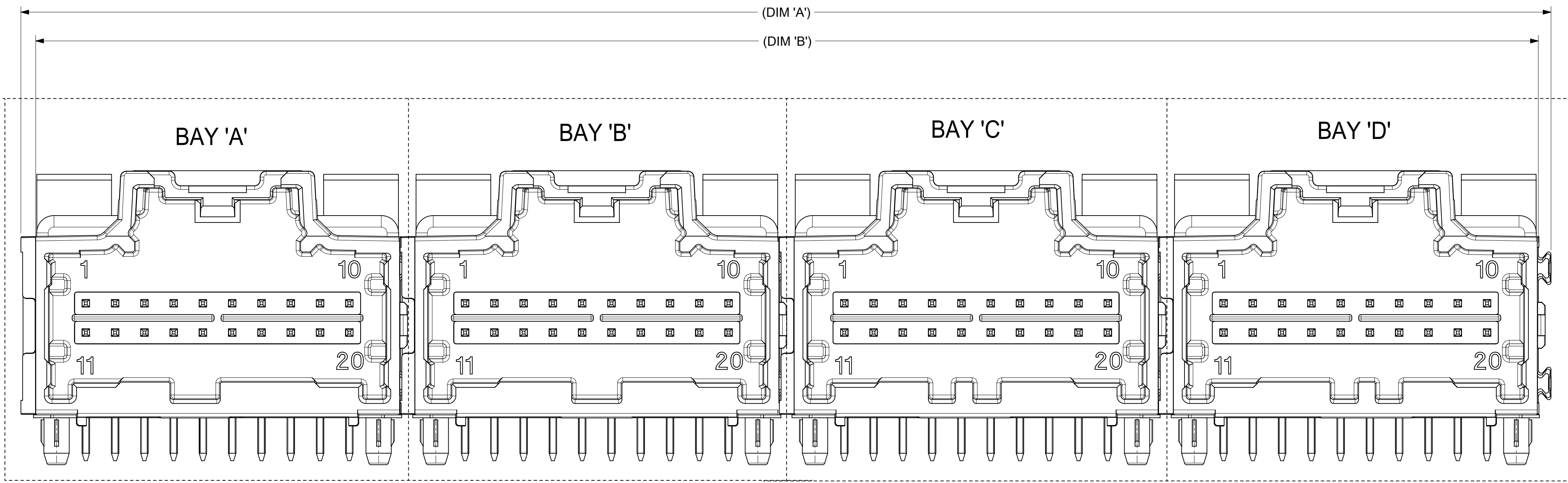
INSPECTION BALLOON NUMBER LOG	
PER DRAWING REVISION:	P1
LAST BALLOON NUMBER USED:	55
ADDED BALLOON NUMBERS:	
REMOVED BALLOON NUMBERS:	9, 10, 11, 12, 56, 57, 58, 59, 60, 61, 62, 63

FUNCTIONAL SYMBOLS	DIMENSION UNITS	SCALE
$\nabla_A = 0$	mm	4:1
$\nabla_C = 0$	GENERAL TOLERANCES (UNLESS SPECIFIED)	
$\nabla_D = 0$	ANGULAR TOL $\pm 1.0^\circ$	
	4 PLACES	\pm
	3 PLACES	\pm
	2 PLACES	± 0.13
	1 PLACE	± 0.25
	0 PLACES	\pm
	DRAFT WHERE APPLICABLE MUST REMAIN WITHIN DIMENSIONS	

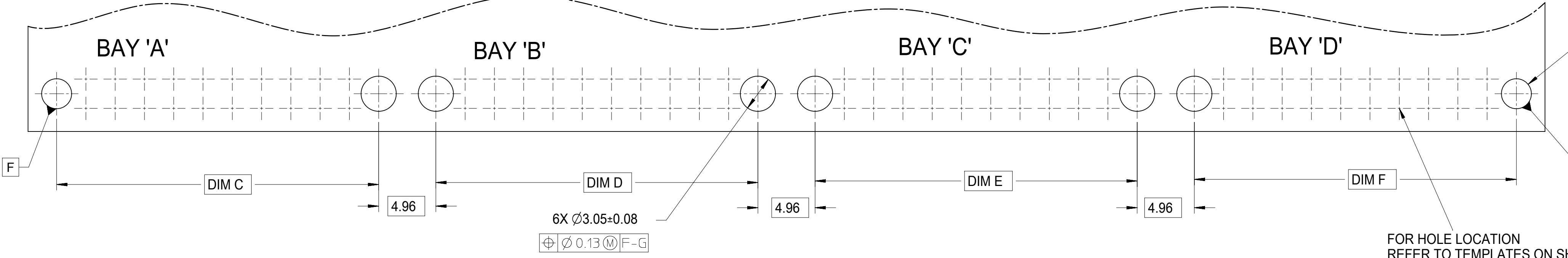
REV.	REV DESCRIPTION	EC#	DATE
P1	1. UPDATED NOTES 2. ADDED NEW P/N 34708-4021 IN SHEET 2	660202	2021.05

THIS DRAWING CONTAINS INFORMATION THAT IS PROPRIETARY TO MOLEX ELECTRONIC TECHNOLOGIES, LLC AND SHOULD NOT BE USED WITHOUT WRITTEN PERMISSION			
CURRENT REV DESC:		molex	
EC NO: 660202		4-BAY STAC64 RIGHT ANGLE HEADER ASSEMBLY SALES DRAWING	
DRWN: CZHANG118	2021/02/04	PRODUCT CUSTOMER DRAWING	
CHK'D: CZHANG118	2021/04/09	DOCUMENT NUMBER	
APPR: JDENG02	2021/05/18	SD-34708-400	
INITIAL REVISION:		DOC TYPE	DOC PART
DRWN: VDANIELE	2008/11/14	PSD	001
APPR: SMARCEAU	2008/11/14	REVISION	
THIRD ANGLE PROJECTION		MATERIAL NUMBER	CUSTOMER
DRAWING		GENERAL MARKET	
SERIES		SHEET NUMBER	
D-SIZE 34708		1 OF 5	

TABLE OF CONTENTS			
3	4 BAY ASSEMBLY VIEW, RECOMMENDED PCB LAYOUT, FLUSH MOUNTING VIEW, POST HOLE TABLE, DIMENSION DETAILS		



RECOMMENDED PCB LAYOUT
INSERT NECESSARY BAYS USING CHART ON SHEET 2.



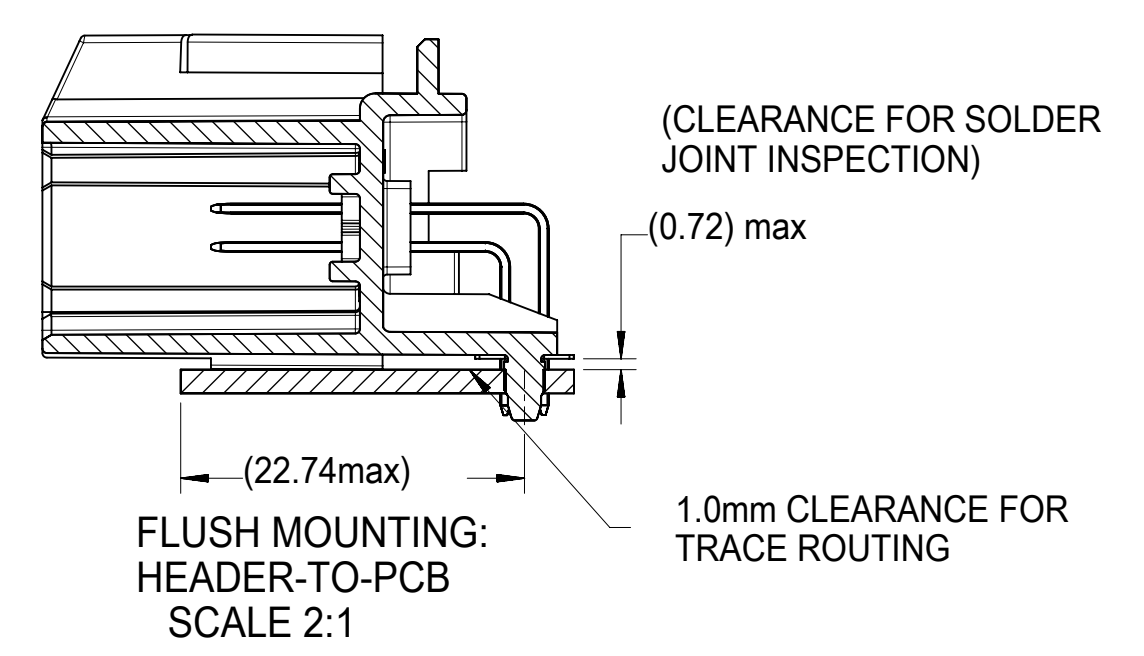
REFER TO POST HOLE TABLE

2X ØZ±0.08
Ø 0.13 M F

POST HOLE TABLE:

FOR DIM Z:	
PRESS FIT:	2.60
DROP IN:	3.05

ALL CIRCUIT SIZES

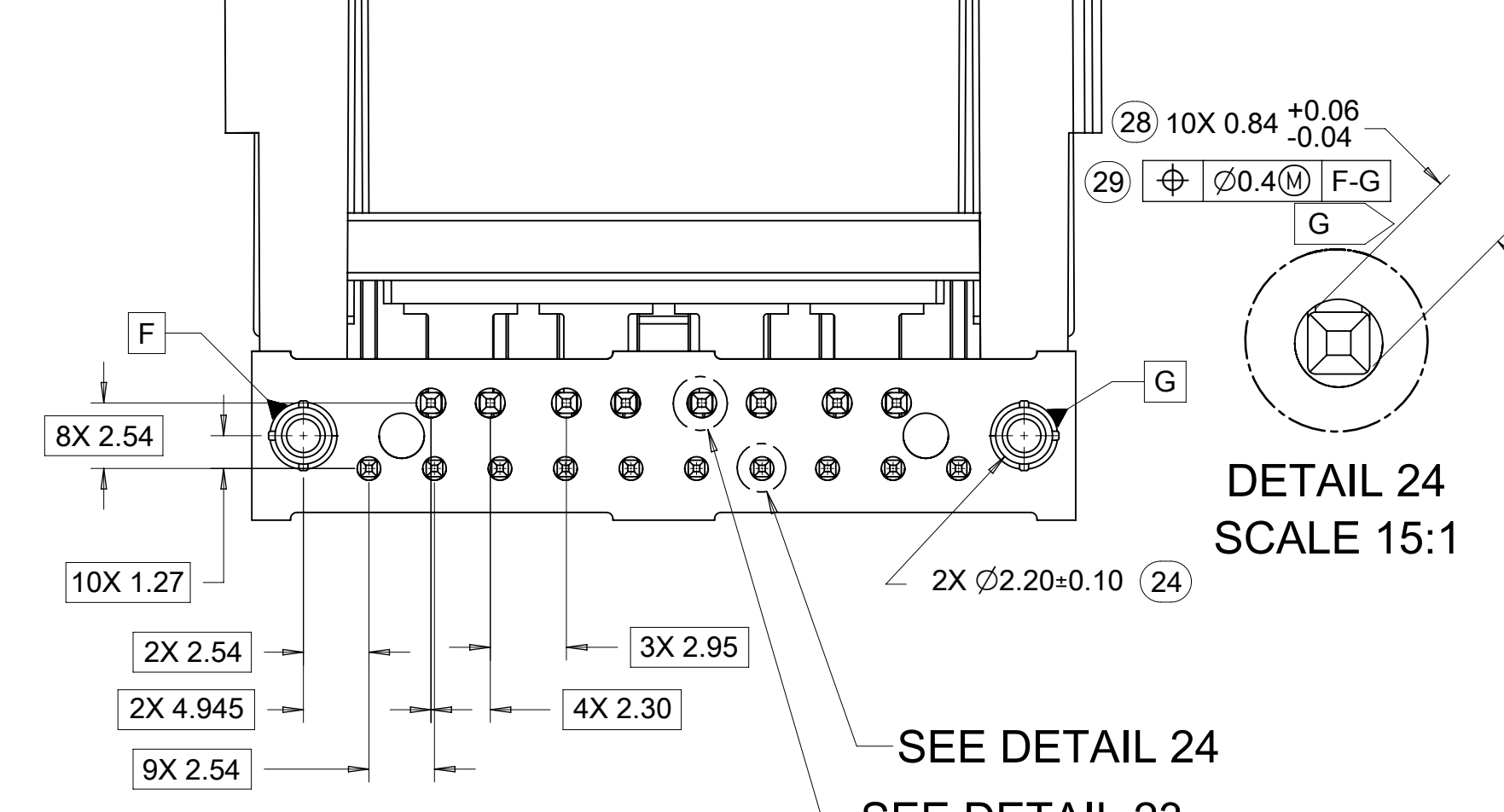
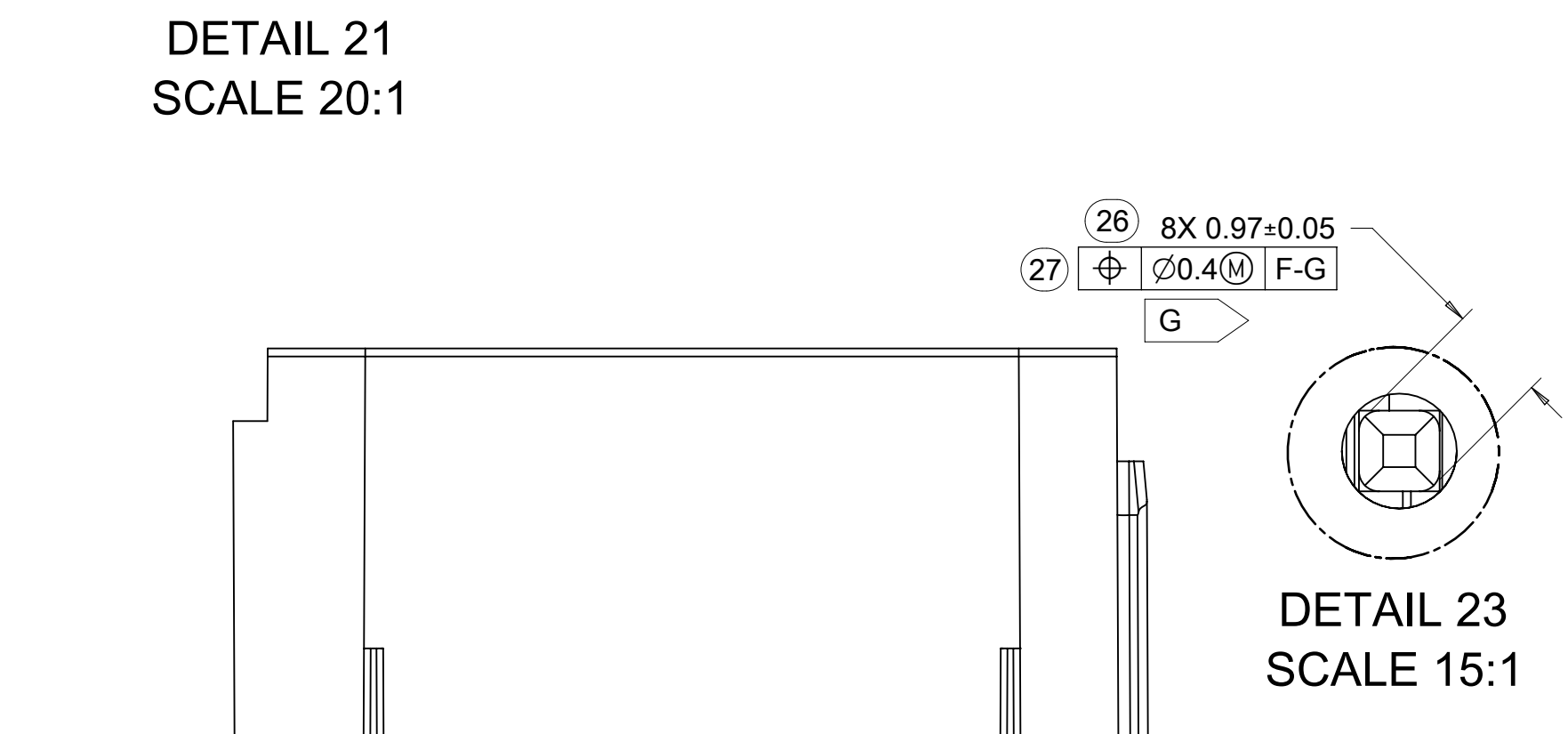
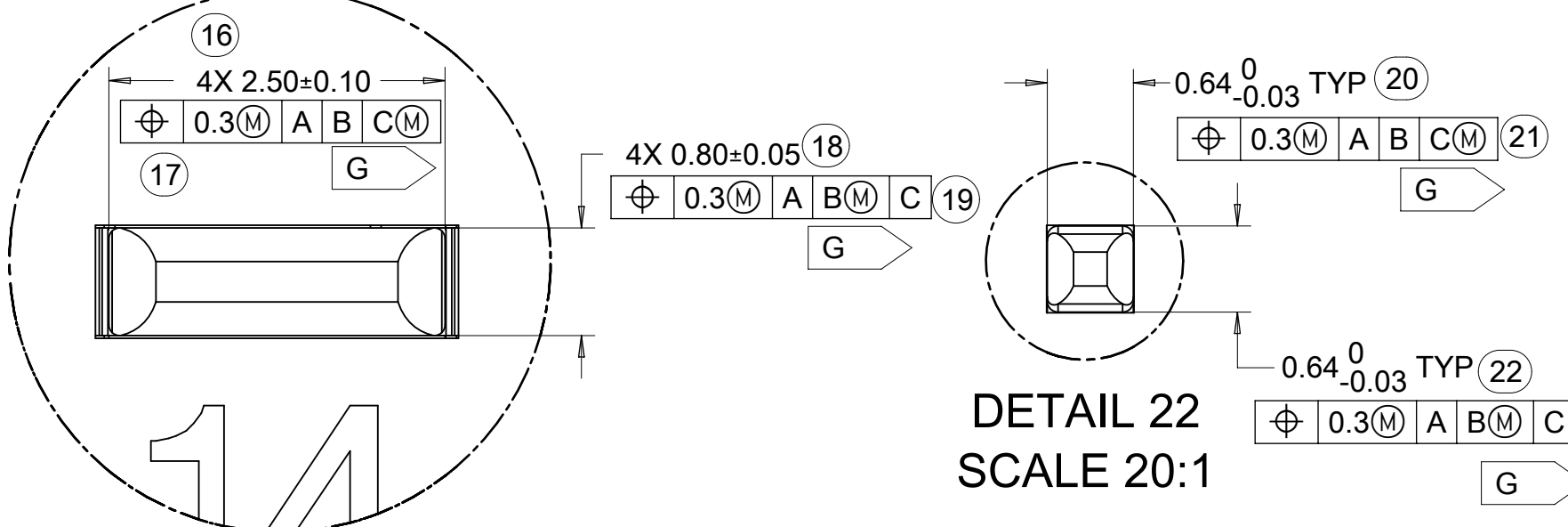
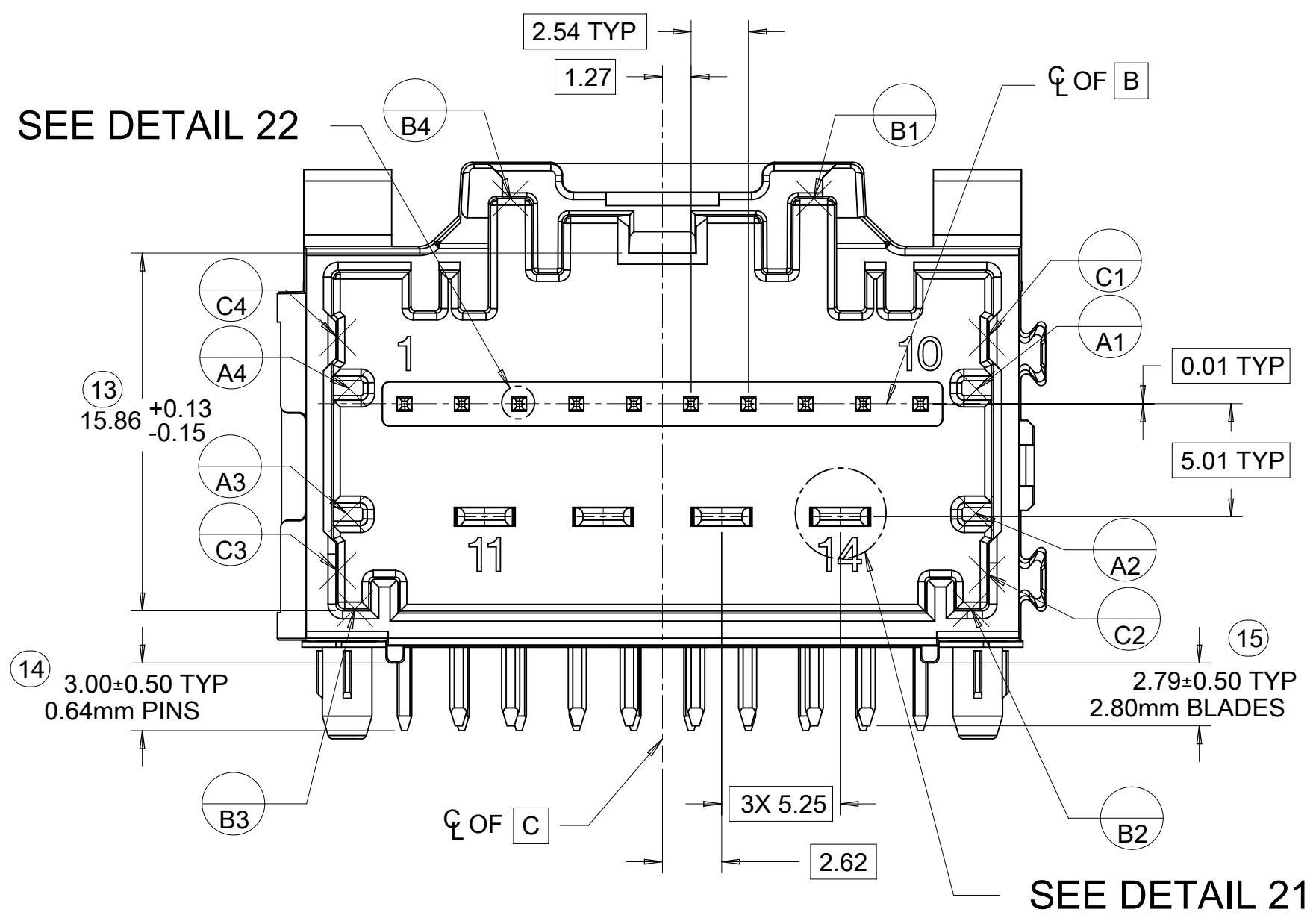


FOR HOLE LOCATION REFER TO TEMPLATES ON SHEET 5

FUNCTIONAL SYMBOLS FA = 0 FE = 0 FP = 0	THIS DRAWING CONTAINS INFORMATION THAT IS PROPRIETARY TO MOLEX ELECTRONIC TECHNOLOGIES, LLC AND SHOULD NOT BE USED WITHOUT WRITTEN PERMISSION	DIMENSION UNITS: mm SCALE: 4:1	CURRENT REV DESC:
	GENERAL TOLERANCES (UNLESS SPECIFIED) ANGULAR TOL ± 1.0° 4 PLACES ± 3 PLACES ± 2 PLACES ± 0.13 1 PLACE ± 0.25 0 PLACES ±	EC NO: 660202 DRWN: CZHANG118 CHK'D: CZHANG118 APPR: JDENG02 INITIAL REVISION: DRWN: VDANIELE APPR: SMARCEAU	2021/02/04 2021/04/09 2021/05/18 2008/11/14 2008/11/14
DIVISIONAL SYMBOLS	DRAFT WHERE APPLICABLE MUST REMAIN WITHIN DIMENSIONS	THIRD ANGLE PROJECTION	DRAWING: D-SIZE SERIES: 34708
DOCUMENT STATUS P1 RELEASE DATE 2021/05/18 01:49:26	MATERIAL NUMBER: SD-34708-400 CUSTOMER: GENERAL MARKET	DOC TYPE: PSD DOC PART: 001 REVISION: P1	SHEET NUMBER: 3 OF 5

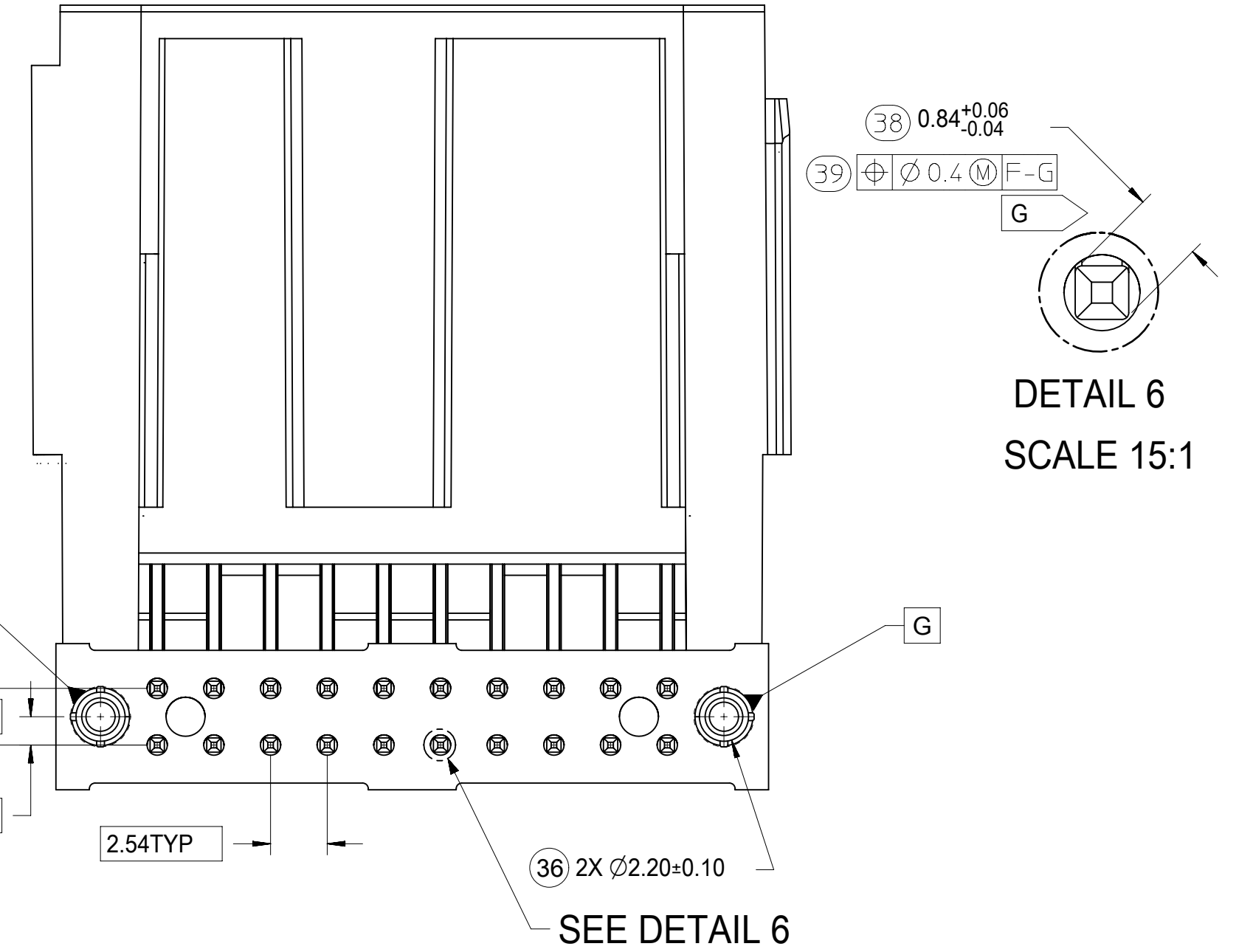
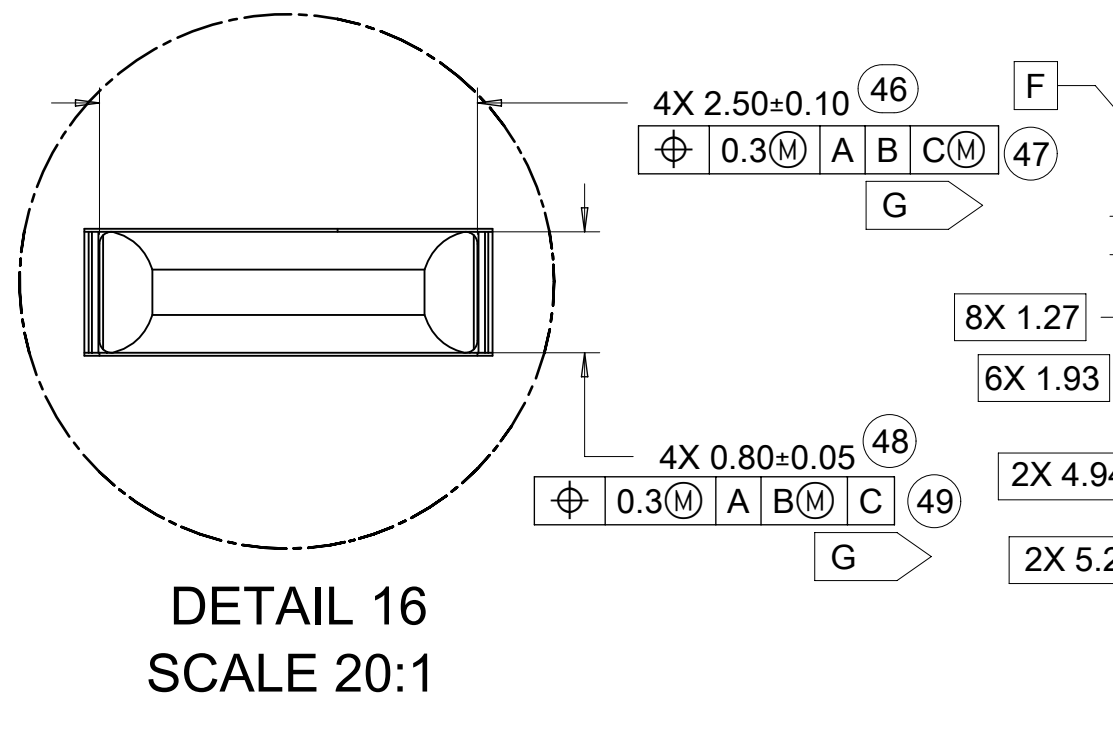
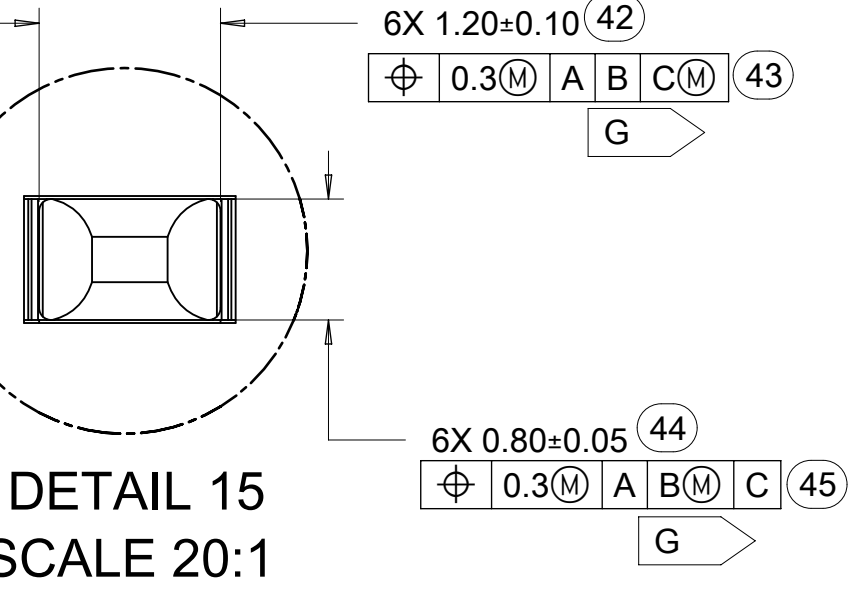
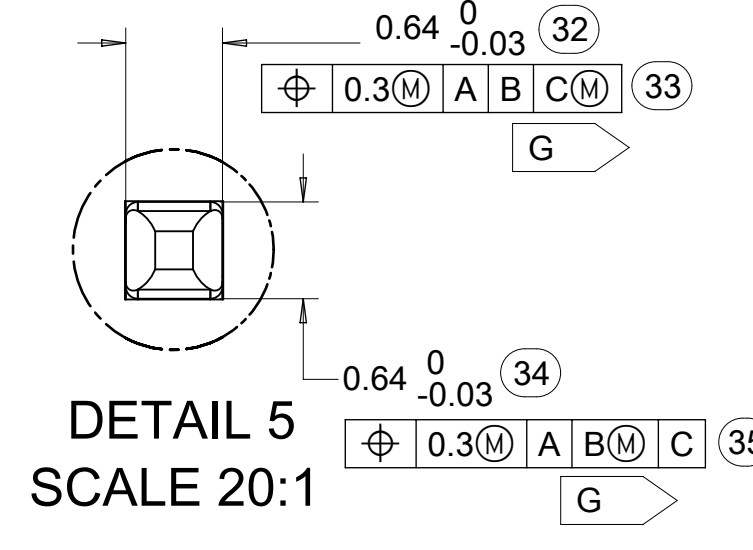
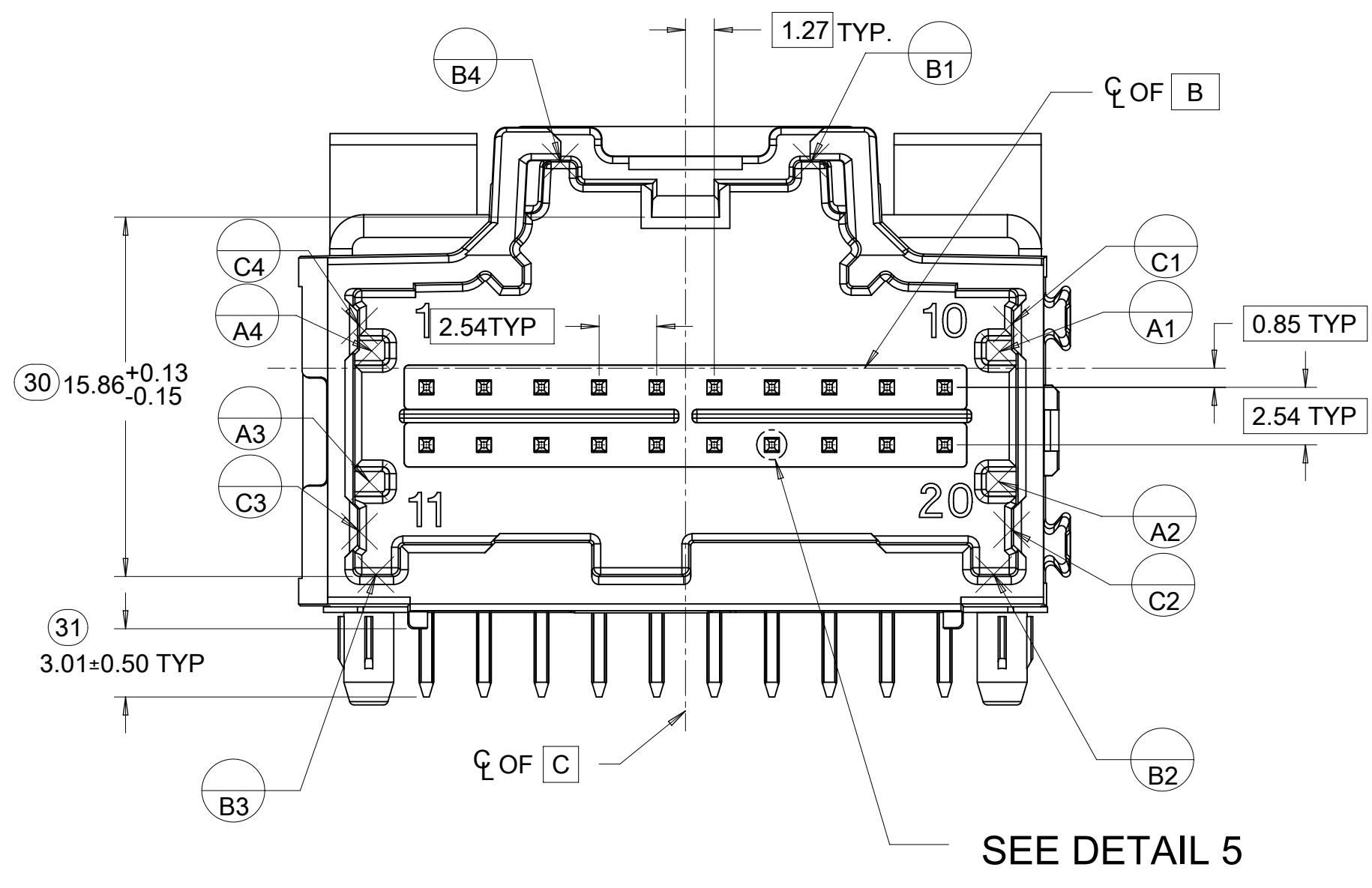
19	18	17	16	15	14	13	12	11	10	9	8	7	6	5	4	3	2	1
TABLE OF CONTENTS																		
8-20CKT 0.64MM HEADER DETAILS, 14CKT HYBRID HEADER DETAILS, 10CKT HYBRID HEADER DETAILS																		

14 CKT HYBRID HEADER DETAILS



DOCUMENT STATUS	P1	RELEASE DATE	2021/05/18 01:49:26
-----------------	----	--------------	---------------------

8-20CKT STAC 0.64mm HEADER DETAILS

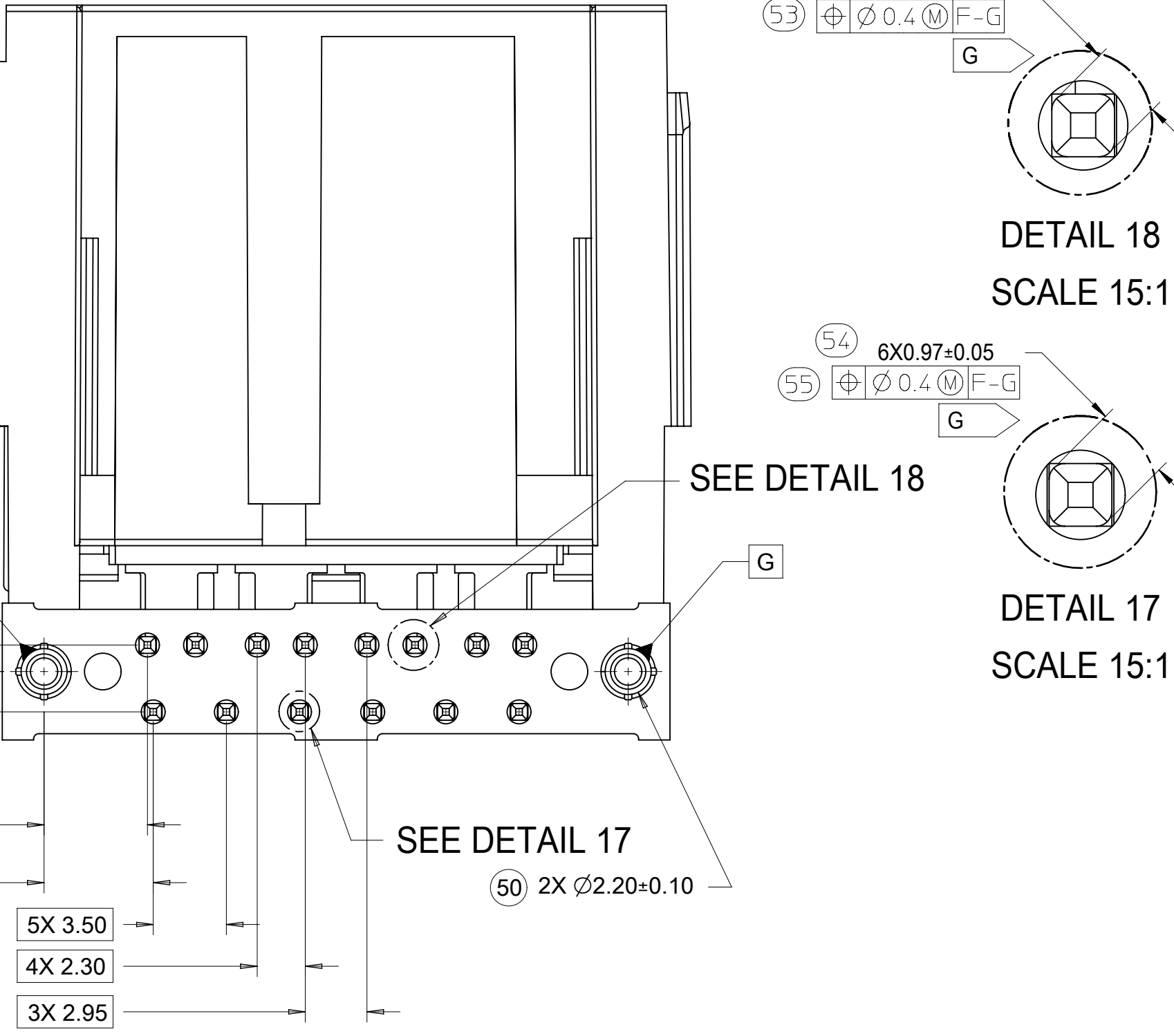
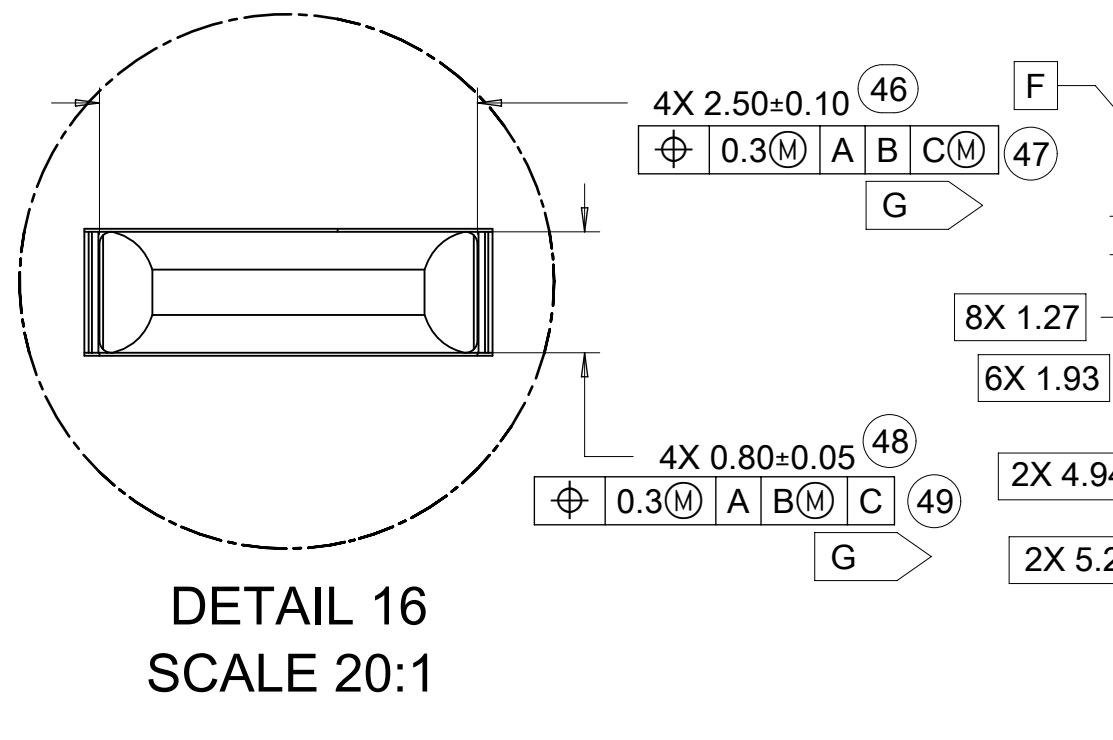
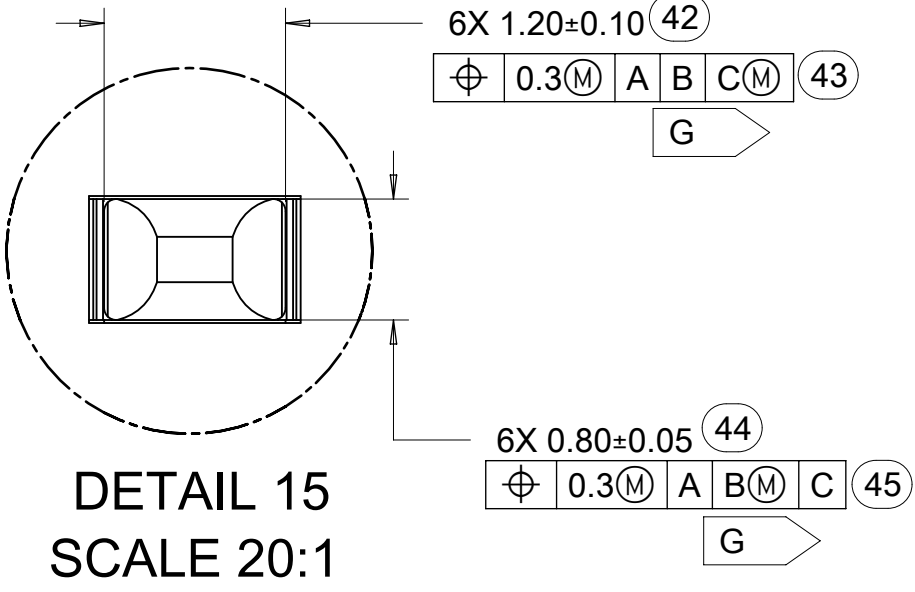
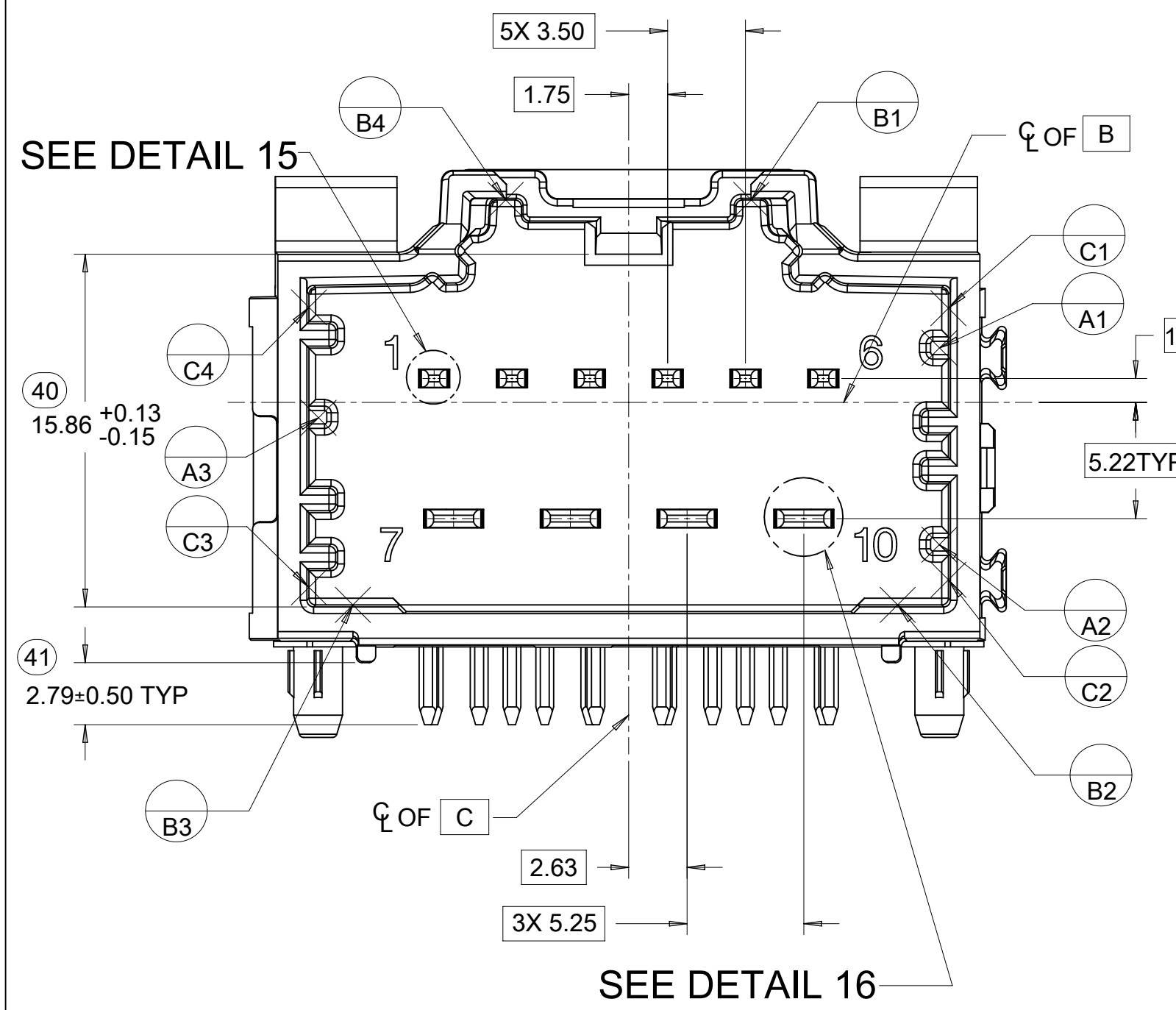


DETAIL 6 SCALE 15:1

DETAIL 18 SCALE 15:1

DETAIL 17 SCALE 15:1

10CKT STAC HYBRID HEADER DETAILS

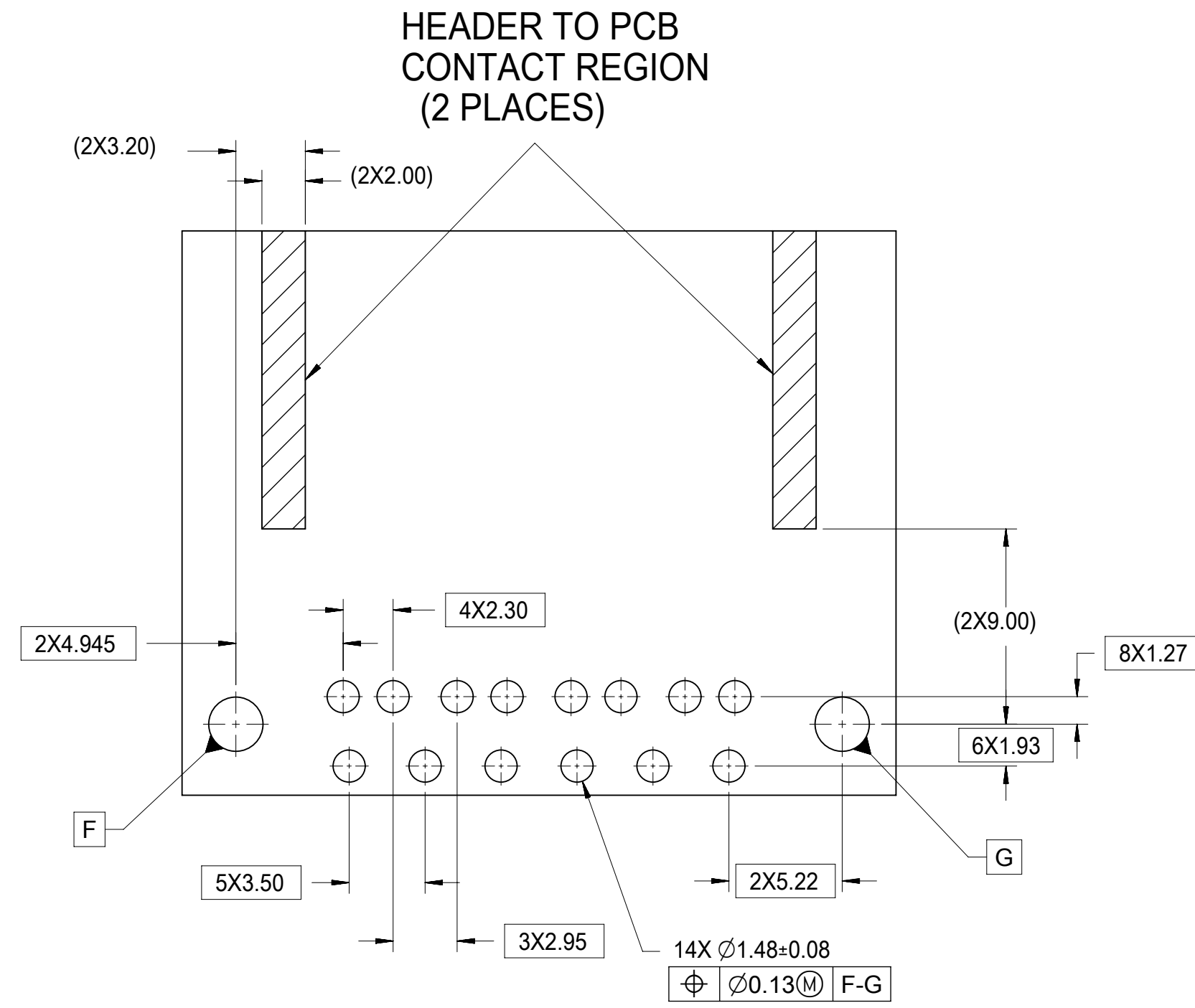


DETAIL 18 SCALE 15:1

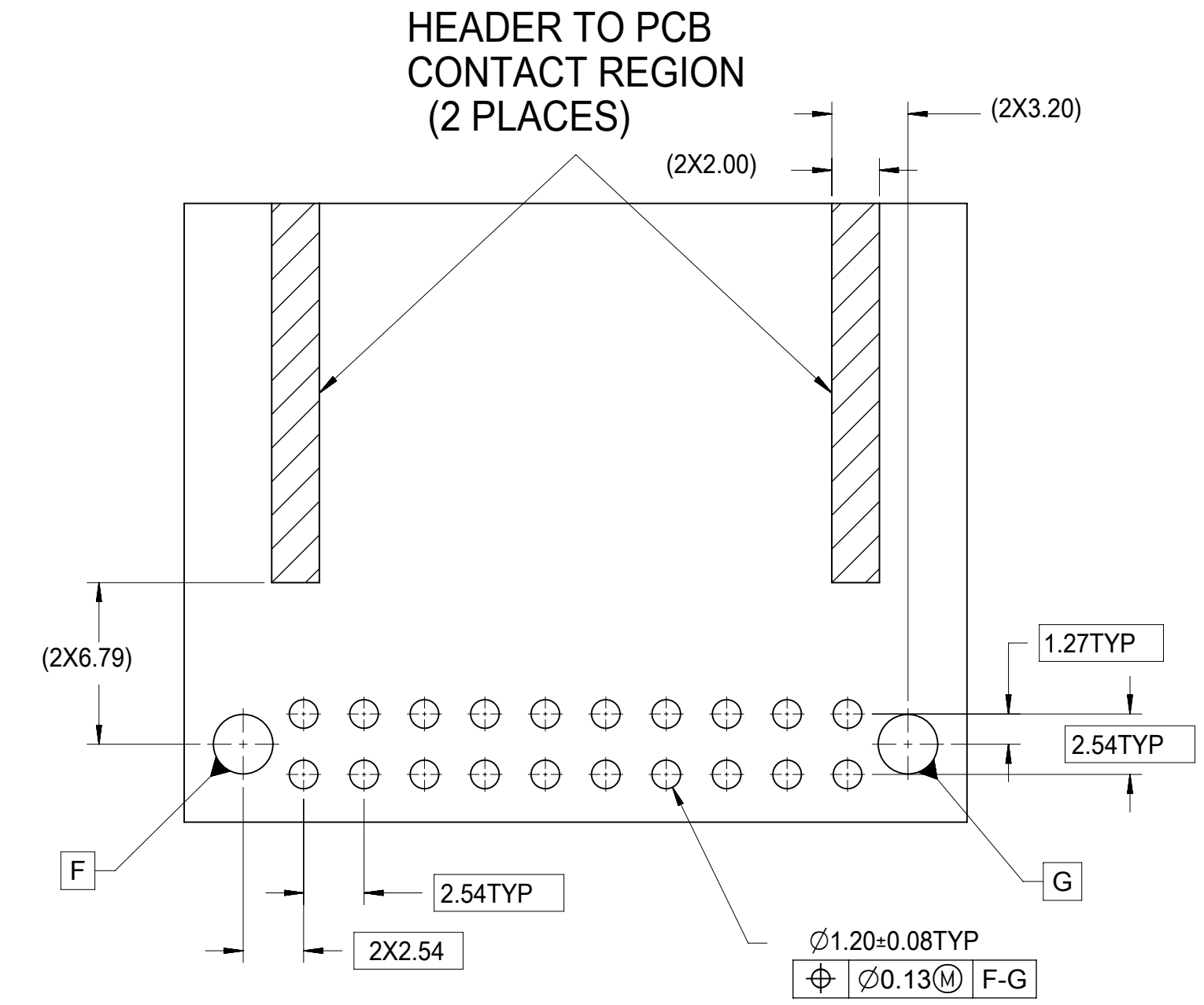
DETAIL 17 SCALE 15:1

FUNCTIONAL SYMBOLS	THIS DRAWING CONTAINS INFORMATION THAT IS PROPRIETARY TO MOLEX ELECTRONIC TECHNOLOGIES, LLC AND SHOULD NOT BE USED WITHOUT WRITTEN PERMISSION		CURRENT REV DESC:			
	FA = 0	mm			SCALE 4:1	
DIVISIONAL SYMBOLS	GENERAL TOLERANCES (UNLESS SPECIFIED)		EC NO: 660202 DRWN: CZHANG118 2021/02/04 CHK'D: CZHANG118 2021/04/09 APPR: JDENG02 2021/05/18	4-BAY STAC64 RIGHT ANGLE HEADER ASSEMBLY SALES DRAWING		
	FE = 0	ANGULAR TOL ± 1.0°				
DIVISIONAL SYMBOLS	FP = 0	4 PLACES	±	PRODUCT CUSTOMER DRAWING DOCUMENT NUMBER: SD-34708-400 DOC TYPE: PSD DOC PART: 001 REVISION: P1		
	4 PLACES ± 3 PLACES ± 2 PLACES ± 0.13 1 PLACE ± 0.25 0 PLACES ±	INITIAL REVISION:			MATERIAL NUMBER: 34708 CUSTOMER: GENERAL MARKET SHEET NUMBER: 4 OF 5	
		DRAFT WHERE APPLICABLE MUST REMAIN WITHIN DIMENSIONS				THIRD ANGLE PROJECTION DRAWING SERIES: D-SIZE 34708
		DRAFT WHERE APPLICABLE MUST REMAIN WITHIN DIMENSIONS				

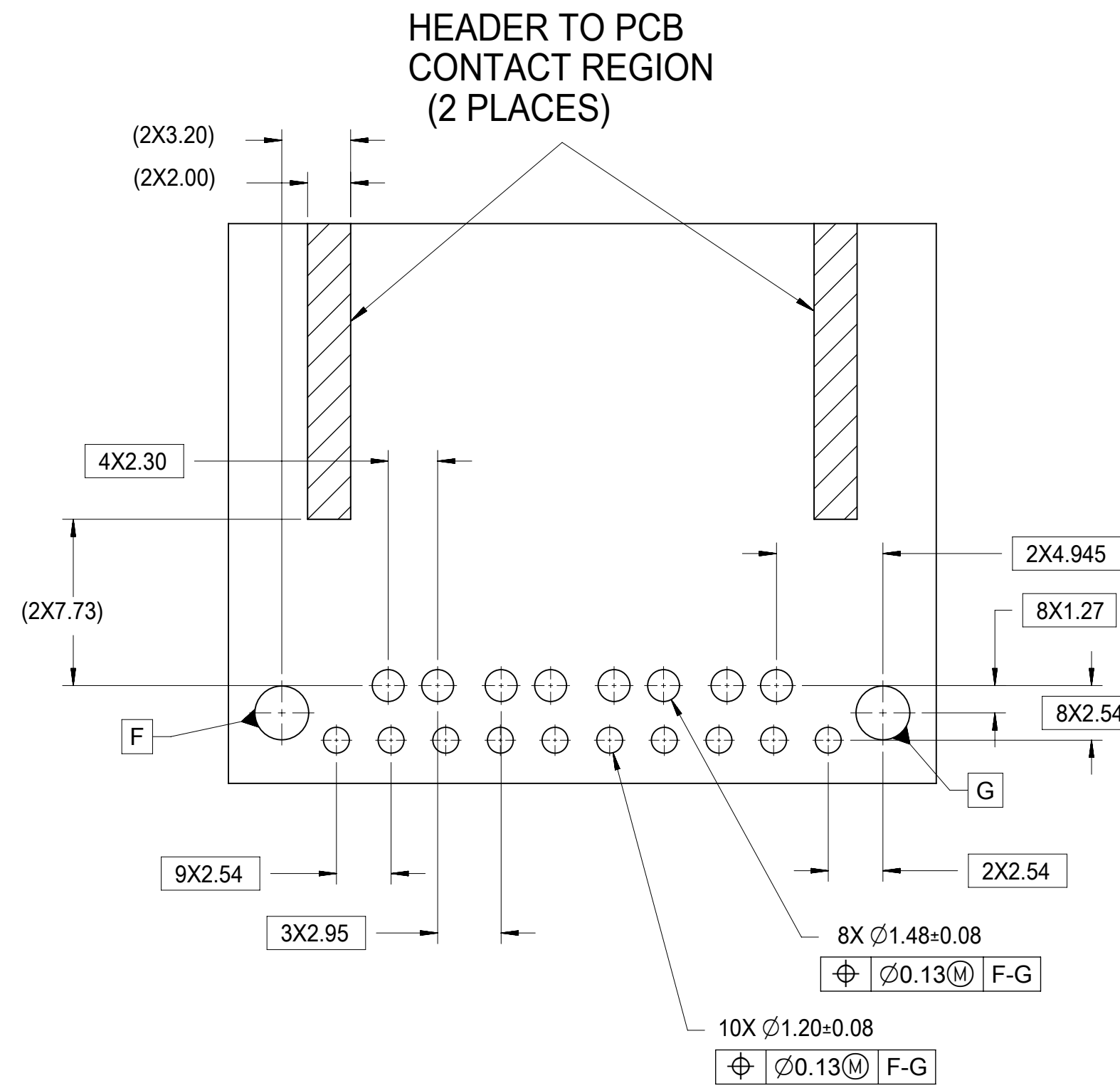
10 CKT HYBRID TEMPLATE PCB LAYOUT



8-20CKT 0.64mm TEMPLATE PCB LAYOUT



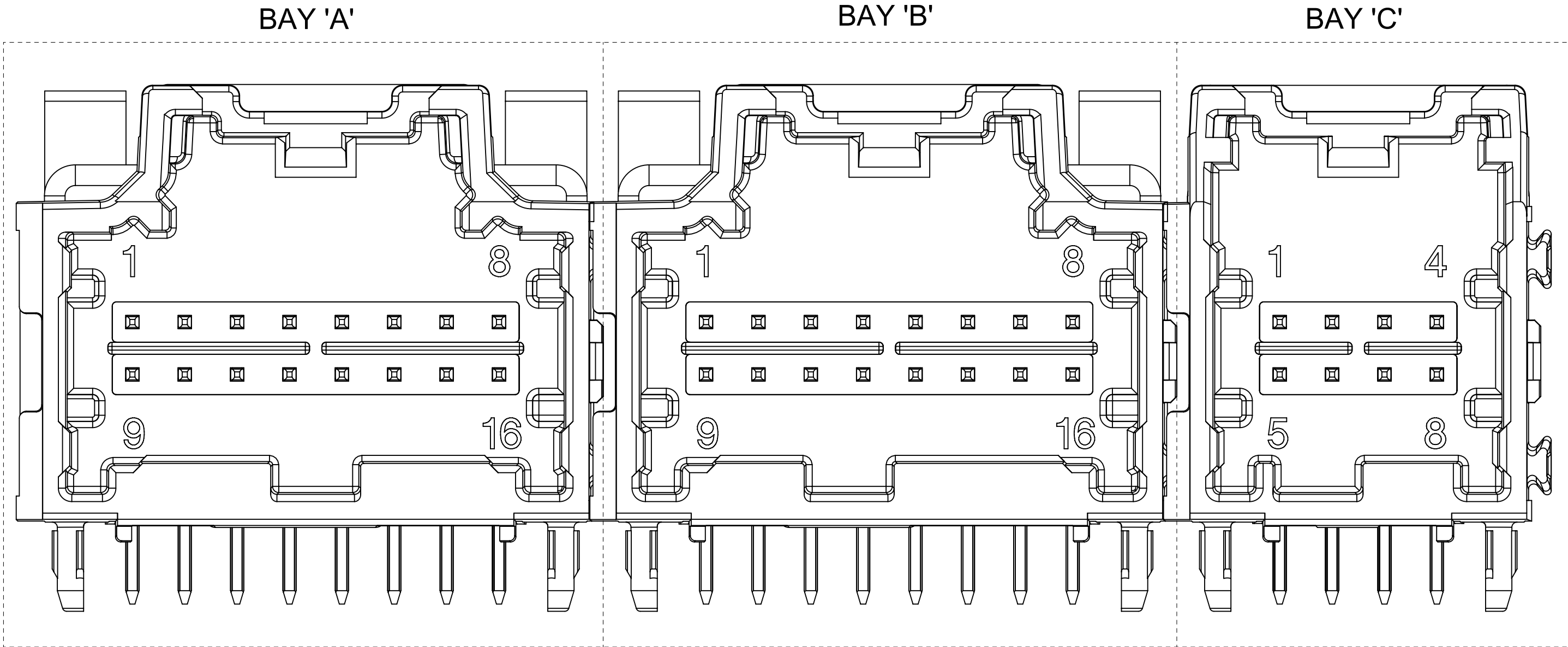
14 CKT HYBRID TEMPLATE PCB LAYOUT



FUNCTIONAL SYMBOLS	THIS DRAWING CONTAINS INFORMATION THAT IS PROPRIETARY TO MOLEX ELECTRONIC TECHNOLOGIES, LLC AND SHOULD NOT BE USED WITHOUT WRITTEN PERMISSION		
	DIMENSION UNITS	SCALE	CURRENT REV DESC:
$\nabla_A = 0$	mm	4:1	
$\nabla_C = 0$	GENERAL TOLERANCES (UNLESS SPECIFIED)		
$\nabla_P = 0$	ANGULAR TOL $\pm 1.0^\circ$		
DIVISIONAL SYMBOLS	4 PLACES	\pm	EC NO: 660202
	3 PLACES	\pm	DRWN: CZHANG118 2021/02/04
	2 PLACES	± 0.13	CHK'D: CZHANG118 2021/04/09
	1 PLACE	± 0.25	APPR: JDENG02 2021/05/18
	0 PLACES	\pm	INITIAL REVISION:
DRAFT WHERE APPLICABLE MUST REMAIN WITHIN DIMENSIONS		THIRD ANGLE PROJECTION	DRAWING SERIES
			D-SIZE 34708
DOCUMENT STATUS		P1	RELEASE DATE
2021/05/18		01:49:26	
DOCUMENT NUMBER		DOC TYPE	DOC PART
SD-34708-400		PSD	001
MATERIAL NUMBER		CUSTOMER	REVISION
		GENERAL MARKET	P1
SHEET NUMBER		5 OF 5	

TABLE OF CONTENTS	
1	NOTES, INSPECTION BALLOON NUMBER LOG, REV. TABLE, 3 BAY ASSEMBLY VIEW
2	DIMENSIONAL CHART FOR MULTIBAY CONFIGURATION
3	3 BAY ASSEMBLY VIEW, RECOMMENDED PCB LAYOUT, FLUSH MOUNTING VIEW, POST HOLE TABLE, DIMENSION DETAILS
4	8-20CKT 0.64MM HEADER DETAILS, 14CKT HYBRID HEADER DETAILS, 10CKT HYBRID HEADER DETAILS
5	RECOMMENDED SINGLE PCB LAYOUT FOR 10CKT HYBRID, 14CKT HYBRID, AND 8-20CKT 0.64MM

3-BAY STAC64 RIGHT ANGLE HEADER ASSEMBLY (P/N: 34997-3000 SHOWN)



- L10** NOTES: VALID UNLESS OTHERWISE SPECIFIED
1. GENERAL:
 - a. CONNECTOR HEADER MUST BE VALIDATED TO THE FOLLOWING FUNCTIONAL REQUIREMENT:
 PRODUCT SPECIFICATION:
 8-20 CKT 0.64 PRODUCT SPEC: PS-34729-020/PS-31408-100
 10 CKT HYBRID PRODUCT SPEC: PS-31372-100
 14 CKT HYBRID PRODUCT SPEC: PS-34969-100
 - b. APPLICATION REQUIREMENTS (REFERENCE ONLY):
 APPLICATION SPECIFICATION: AS-34729-020/AS-31408-100
 - c. PACKAGING SPECIFICATION PER MOLEX DRAWING PK-31300-892 (TRAY)
 - d. PACKAGING SPECIFICATION PER MOLEX DRAWING PK-31301-063 (TUBE)
 2. DESIGN MATERIALS:
 - a. SHROUD (PLASTIC HOUSING):
 RESIN - SPS
 HOUSING COLOR:
 BLACK - POLARIZATION 'A'
 GREY - POLARIZATION 'B'
 BROWN - POLARIZATION 'C'
 GREEN - POLARIZATION 'D'
 - b. 0.64mm PINS:
 BASE MATERIAL: COPPER ALLOY
 PLATING TYPE: AS NOTED
 - c. 1.5/2.8mm BLADES:
 BASE MATERIAL: COPPER ALLOY
 PLATING TYPE: AS NOTED
 3. PLATING REQUIREMENTS:
 - a. UNDERPLATING - OVERALL NICKEL
 - b. OVERPLATING - OVERALL TIN
 4. FOR DESCRIPTION OF INDIVIDUAL BAYS, REFER TO THE FOLLOWING SINGLE BAY DRAWINGS:
 8-20 CKT 0.64: SD-34691-601
 10CKT HYBRID: SD-34696-100
 14CKT HYBRID: SD-34773-010
 5. G DENOTES DIMENSIONS THAT MAY BE QUALIFIED WITH A GAUGE.

REV.	REV. DESCRIPTION	EC#	DATE
L10	1. UPDATED NOTES 2. ADDED NEW P/NS 34997-3017 AND 34997-3018 IN DIMENSIONAL CHART IN SHEET 2	662725	2021.05
L9	1. DIEMNTIONAL CHART WAS IN SHEET 1 2. 10/14 CKT HYBRID SPEC WAS PS-34696-100 IN NOTES 1a SHEET 1 3. ADDED P/N 34997-3015 10B+20A+20B IN SHEET 2 4. ADDED P/N 34997-3016 12A+20C+12B IN SHEET 2	645306	2020.09


SYMBOLS		THIS DRAWING CONTAINS INFORMATION THAT IS PROPRIETARY TO MOLEX ELECTRONIC TECHNOLOGIES, LLC AND SHOULD NOT BE USED WITHOUT WRITTEN PERMISSION	
DIMENSION UNITS	SCALE	CURRENT REV DESC:	
= 0	mm	5:1	
= 0	GENERAL TOLERANCES (UNLESS SPECIFIED)		
= 0	ANGULAR TOL	± 1.0°	
= 0	4 PLACES	±	
= 0	3 PLACES	±	
= 0	2 PLACES	± 0.13	
= 0	1 PLACE	± 0.25	
= 0	0 PLACES	±	
= 0	DRAFT WHERE APPLICABLE MUST REMAIN WITHIN DIMENSIONS		

INSPECTION BALLOON NUMBER LOG PER DRAWING REVISION: L10 LAST BALLOON NUMBER USED: 55 ADDED BALLOON NUMBERS: REMOVED BALLOON NUMBERS: 9, 10, 11, 12, 56, 57, 58, 59, 60, 61, 62, 63		EC NO: 662725 DRWN: CZHANG118 2021/04/28 CHK'D: JDENG02 2021/05/18 APPR: JDENG02 2021/05/18 INITIAL REVISION: DRWN: JFISCHER01 2013/05/31 APPR: RBAUMAN 2013/06/04		 STAC64 3-BAY PAP R/A LONG PIN HEADER ASSEMBLY SALES DRAWING PRODUCT CUSTOMER DRAWING	
DOCUMENT NUMBER SD-34997-300		DOC TYPE PSD		DOC PART 001	
REVISION L10		MATERIAL NUMBER SEE CHART		CUSTOMER GENERAL MARKET	
SHEET NUMBER 1 OF 5		D-DRAWING D-SIZE		S-SERIES 34997	

DIMENSIONAL CHART FOR MULTIBAY CONFIGURATION:

3 BAY PART NUMBER (TUBE PKG)	3 BAY PART NUMBER (TRAY PKG)	BAY A			BAY B			BAY C			DIM 'A'	DIM 'B'	DIM 'C'	DIM 'D'	DIM 'E'
		CKT	TYPE	POL	CKT	TYPE	POL	CKT	TYPE	POL					
TBD	34997-3000	16	0.64mm	B	16	0.64mm	A	8	0.64mm	A	74.44	71.97	22.86	22.86	12.70
TBD	34997-3001	12	0.64mm	A	12	0.64mm	B	16	0.64mm	A	74.44	71.97	17.78	17.78	22.86
TBD	34997-3002	16	0.64mm	A	12	0.64mm	A	20	0.64mm	A	84.60	82.13	22.86	17.78	27.94
TBD	34997-3003	16	0.64mm	A	20	0.64mm	A	12	0.64mm	A	84.60	82.13	22.86	27.94	17.78
TBD	34997-3004	20	0.64mm	A	20	0.64mm	B	8	0.64mm	A	84.60	82.13	27.94	27.94	12.70
TBD	34997-3005	10	HYBRID	A	16	0.64mm	A	8	0.64mm	A	79.52	77.05	27.94	22.86	12.70
TBD	34997-3006	12	0.64mm	A	8	0.64mm	B	16	0.64mm	C	69.36	66.89	17.78	12.70	22.86
TBD	34997-3007	20	0.64mm	A	20	0.64mm	B	20	0.64mm	C	99.84	97.37	27.94	27.94	27.94
TBD	34997-3008	20	0.64mm	D	16	0.64mm	C	12	0.64mm	C	84.60	82.13	27.94	22.86	17.78
34997-8009	34997-3009	20	0.64mm	C	20	0.64mm	B	20	0.64mm	A	99.84	97.37	27.94	27.94	27.94
34997-8010	34997-3010	12	0.64mm	C	16	0.64mm	C	20	0.64mm	D	84.60	82.13	17.78	22.86	27.94
TBD	34997-3011	8	0.64mm	A	8	0.64mm	B	8	0.64mm	C	54.12	51.65	12.70	12.70	12.70
TBD	34997-3012	14	HYBRID	C	20	0.64mm	B	8	0.64mm	A	84.60	82.13	27.94	27.94	12.70
TBD	34997-3013	10	HYBRID	A	10	HYBRID	B	14	HYBRID	A	99.84	97.37	27.94	27.94	27.94
TBD	34997-3014	10	HYBRID	A	16	0.64mm	B	20	0.64mm	C	94.76	92.29	27.94	22.86	27.94
TBD	34997-3015	10	HYBRID	B	20	0.64mm	A	20	0.64mm	B	99.84	97.37	27.94	27.94	27.94
TBD	34997-3016	12	0.64mm	A	20	0.64mm	C	12	0.64mm	B	79.52	77.05	17.78	27.94	17.78
L10	TBD	10	HYBRID	B	20	0.64mm	A	20	0.64mm	D	99.84	97.37	27.94	27.94	27.94
L10	TBD	12	0.64mm	B	20	0.64mm	C	12	0.64mm	A	79.52	77.05	17.78	27.94	17.78

FUNCTIONAL SYMBOLS	THIS DRAWING CONTAINS INFORMATION THAT IS PROPRIETARY TO MOLEX ELECTRONIC TECHNOLOGIES, LLC AND SHOULD NOT BE USED WITHOUT WRITTEN PERMISSION		
	DIMENSION UNITS	SCALE	CURRENT REV DESC:
$\nabla_A = 0$	mm	1:1	EC NO: 662725 DRWN: CZHANG118 2021/04/28 CHK'D: JDENG02 2021/05/18 APPR: JDENG02 2021/05/18 INITIAL REVISION: DRWN: JFISCHER01 2013/05/31 APPR: RBAUMAN 2013/06/04
$\nabla_C = 0$	GENERAL TOLERANCES (UNLESS SPECIFIED)		
$\nabla_D = 0$	ANGULAR TOL $\pm 1.0^\circ$		
DIVISIONAL SYMBOLS	4 PLACES	\pm	
	3 PLACES	\pm	
	2 PLACES	± 0.13	
	1 PLACE	± 0.25	
	0 PLACES	\pm	
DRAFT WHERE APPLICABLE MUST REMAIN WITHIN DIMENSIONS		THIRD ANGLE PROJECTION	DRAWING D-SIZE SERIES 34997 MATERIAL NUMBER CUSTOMER GENERAL MARKET SHEET NUMBER 2 OF 5



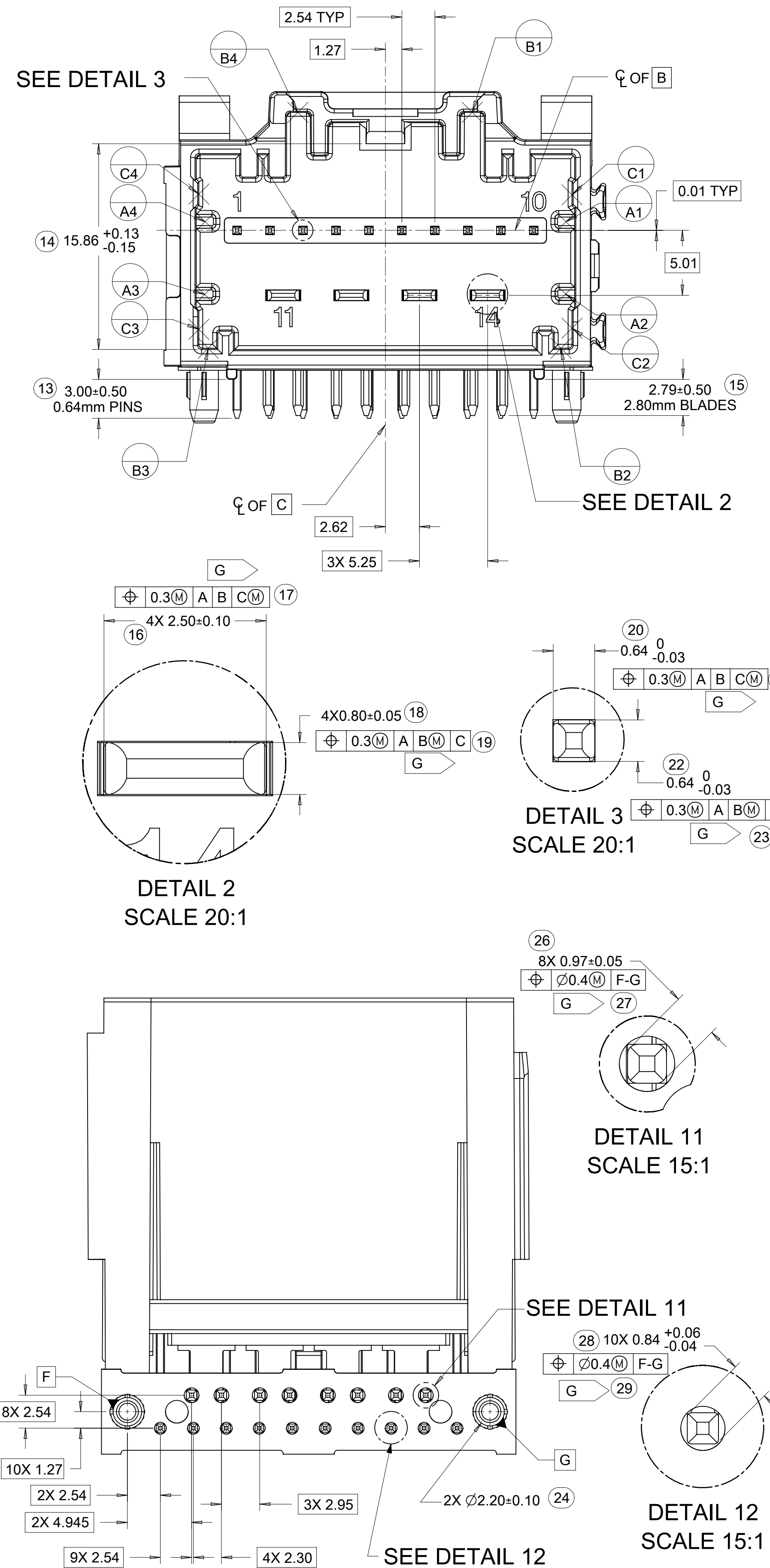
STAC64 3-BAY PAP R/A
LONG PIN HEADER ASSEMBLY SALES DRAWING

PRODUCT CUSTOMER DRAWING

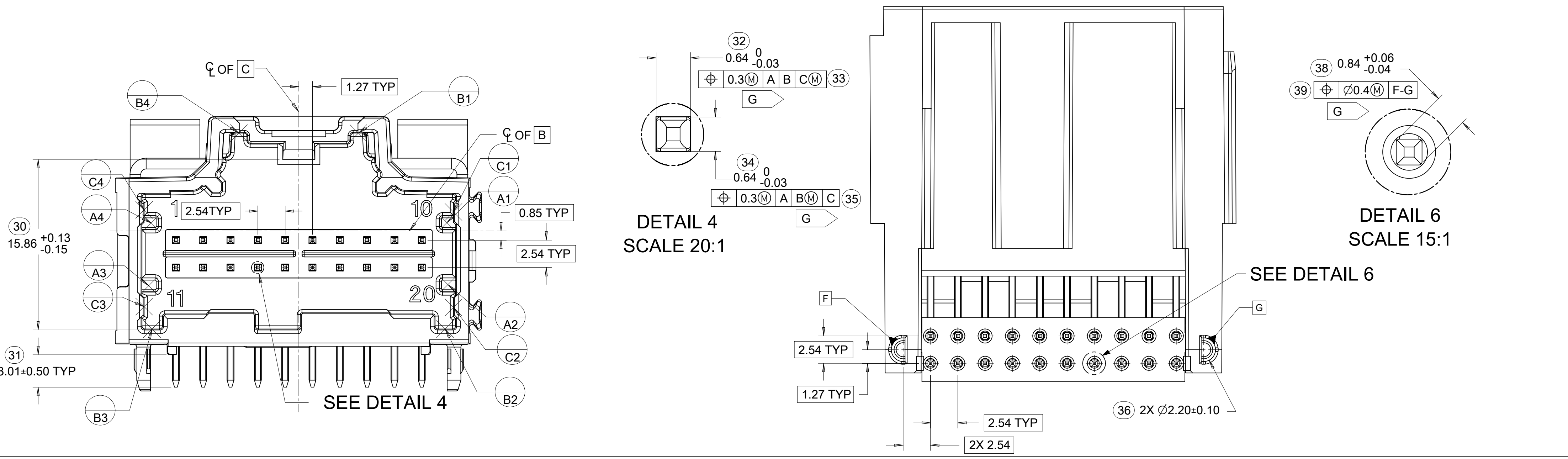
DOCUMENT NUMBER	DOC TYPE	DOC PART	REVISION
SD-34997-300	PSD	001	L10

19	18	17	16	15	14	13	12	11	10	9	8	7	6	5	4	3	2	1
TABLE OF CONTENTS																		
4	8-20CKT 0.64MM HEADER DETAILS, 14CKT HYBRID HEADER DETAILS, 10CKT HYBRID HEADER DETAILS																	

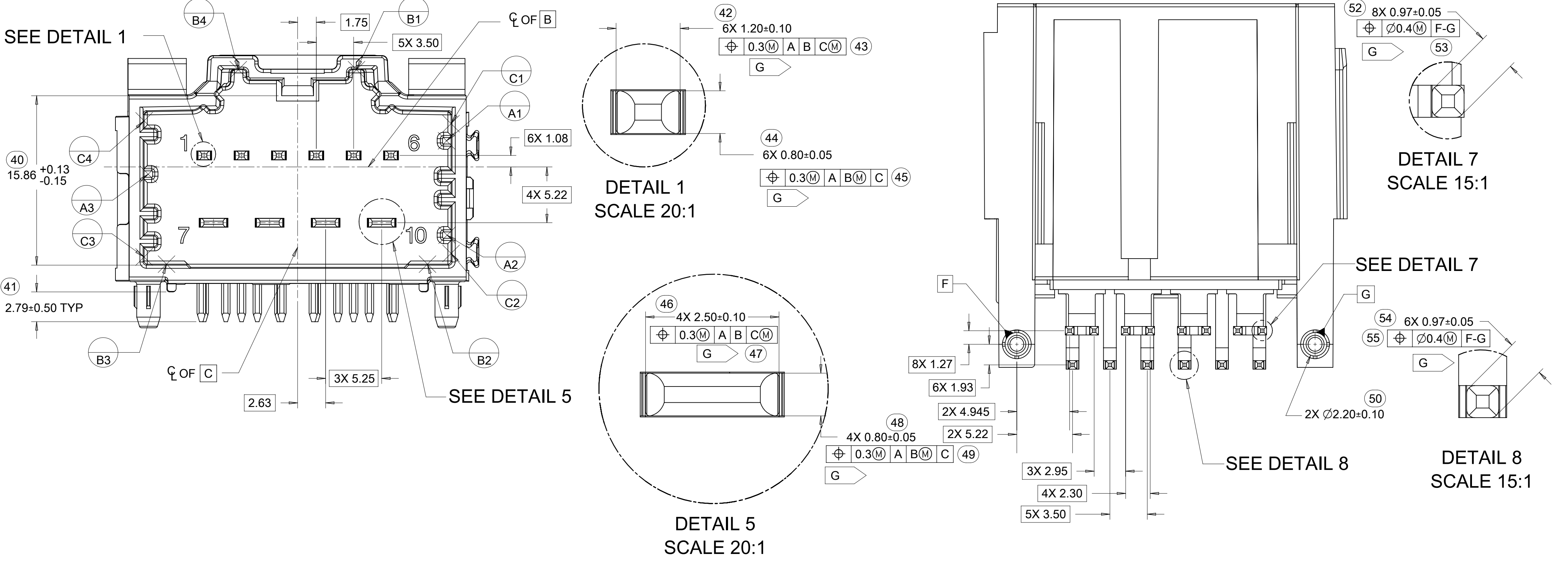
14 CKT STAC HYBRID HEADER DETAILS



8-20CKT STAC64 HEADER DETAILS



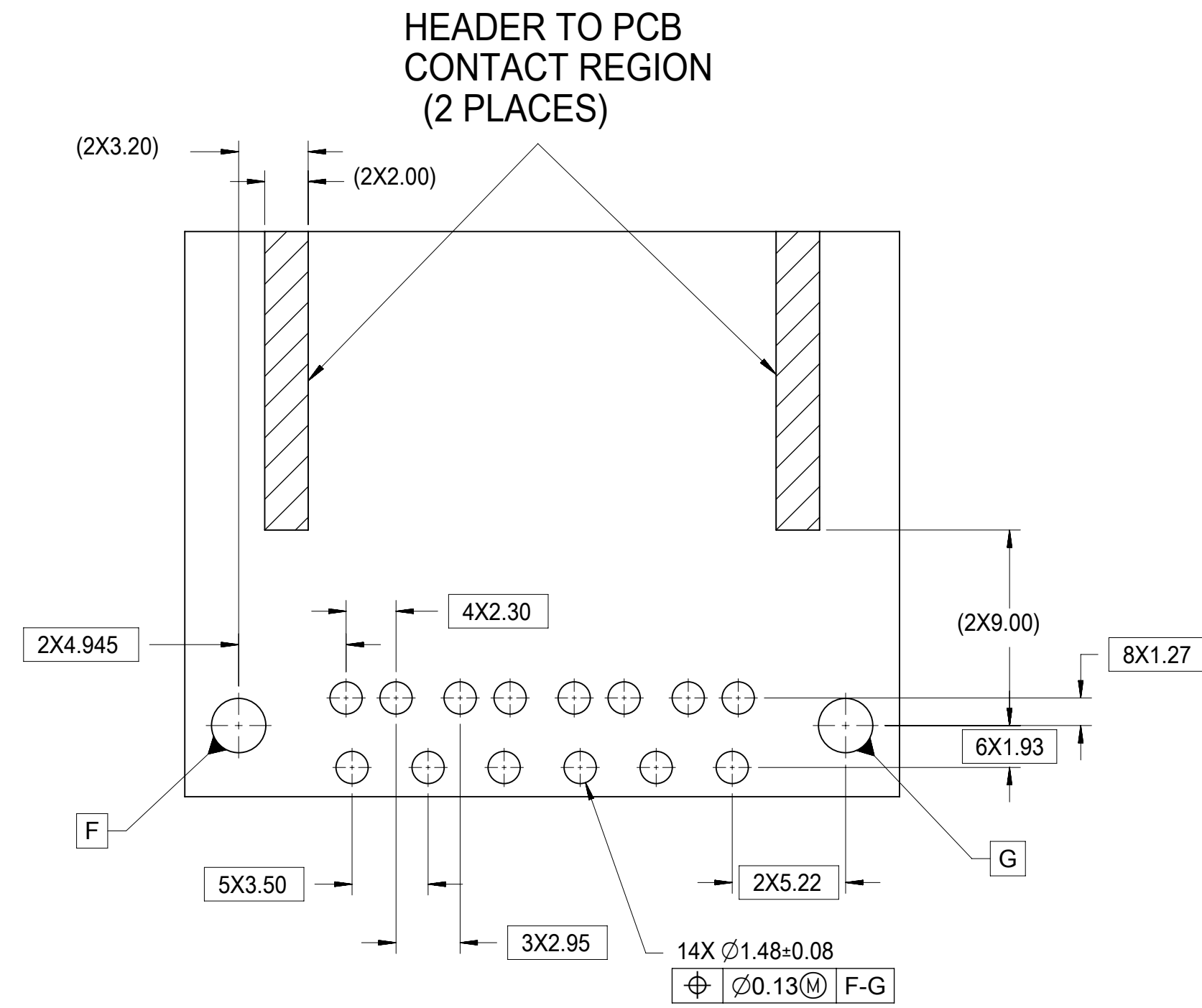
10CKT STAC HYBRID HEADER DETAILS



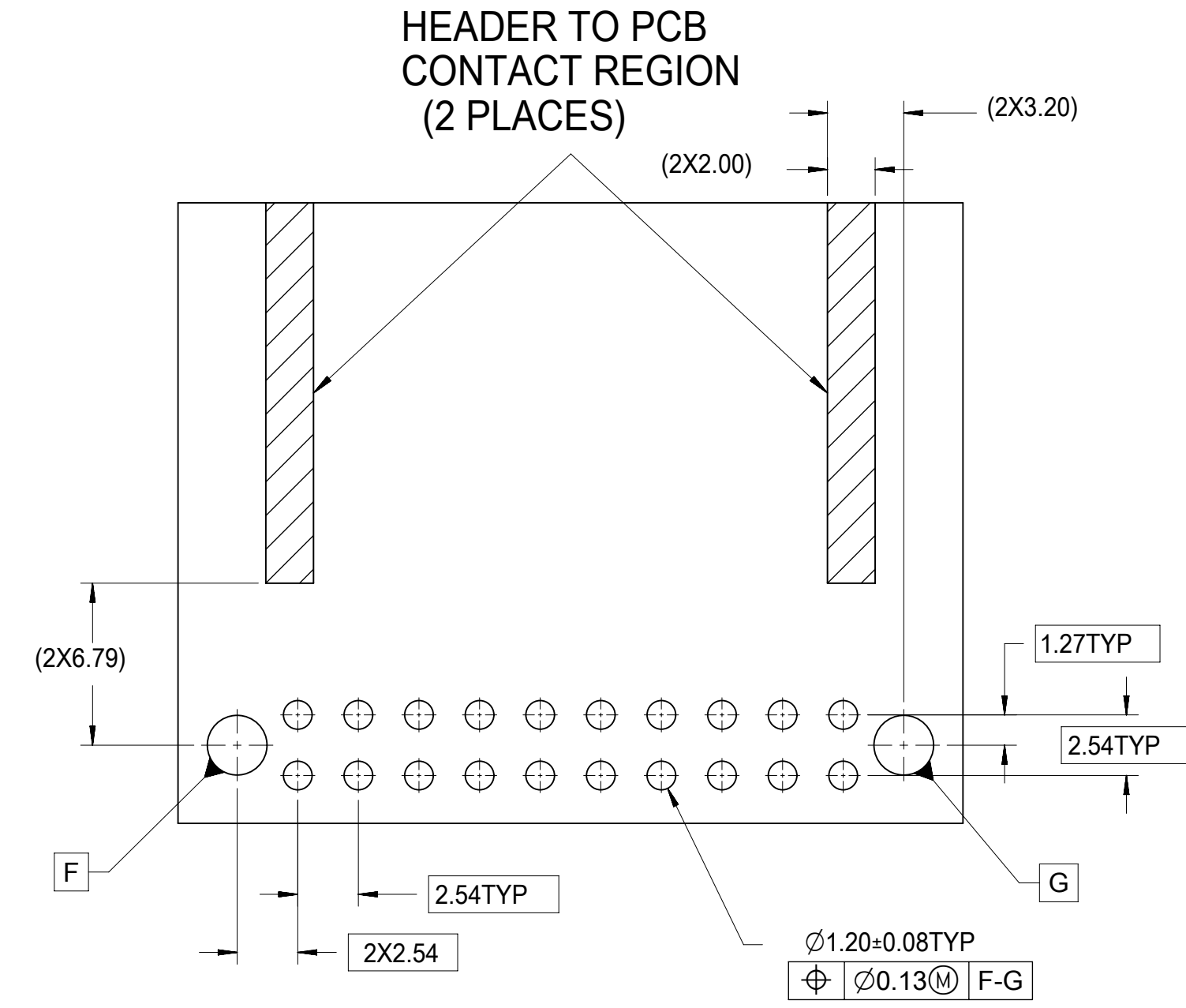
SYMBOLS	THIS DRAWING CONTAINS INFORMATION THAT IS PROPRIETARY TO MOLEX ELECTRONIC TECHNOLOGIES, LLC AND SHOULD NOT BE USED WITHOUT WRITTEN PERMISSION		CURRENT REV DESC:	
	DIMENSION UNITS	SCALE		
▽ = 0	mm	4:1		
▽ = 0	GENERAL TOLERANCES (UNLESS SPECIFIED)			
▽ = 0	ANGULAR TOL ± 1.0°			
▽ = 0	4 PLACES ±			
▽ = 0	3 PLACES ±			
▽ = 0	2 PLACES ± 0.13			
▽ = 0	1 PLACE ± 0.25			
▽ = 0	0 PLACES ±			
■ = 0	DRAFT WHERE APPLICABLE MUST REMAIN WITHIN DIMENSIONS		THIRD ANGLE PROJECTION	DRAWING SERIES
▽ = 0			D-SIZE	34997
EC NO: 662725		2021/04/28		STAC64 3-BAY PAP R/A LONG PIN HEADER ASSEMBLY SALES DRAWING
DRWN: CZHANG118		2021/05/18		
CHK'D: JDENG02		2021/05/18		PRODUCT CUSTOMER DRAWING
APPR: JDENG02		2021/05/18		
INITIAL REVISION:				DOCUMENT NUMBER
DRWN: JFISCHER01		2013/05/31		
APPR: RBAUMAN		2013/06/04		SD-34997-300
				DOC TYPE
				PSD
				DOC PART
				001
				REVISION
				L10
				MATERIAL NUMBER
				SEE CHART
				CUSTOMER
				GENERAL MARKET
				SHEET NUMBER
				4 OF 5

TABLE OF CONTENTS	
5	RECOMMENDED SINGLE PCB LAYOUT FOR 10CKT HYBRID, 14CKT HYBRID, AND 8-20CKT 0.64MM

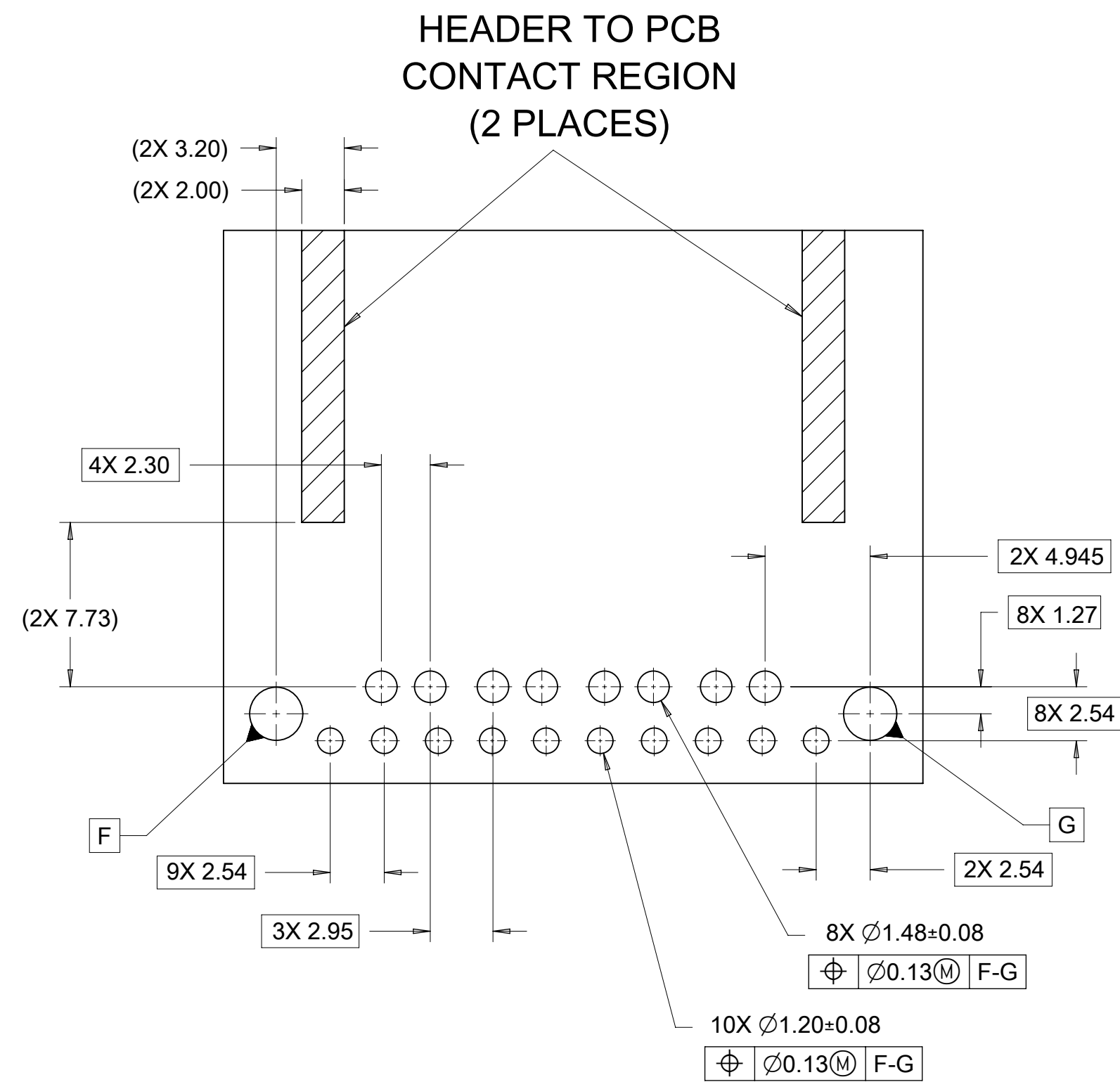
10 CKT HYBRID TEMPLATE PCB LAYOUT



8-20CKT 0.64mm TEMPLATE PCB LAYOUT

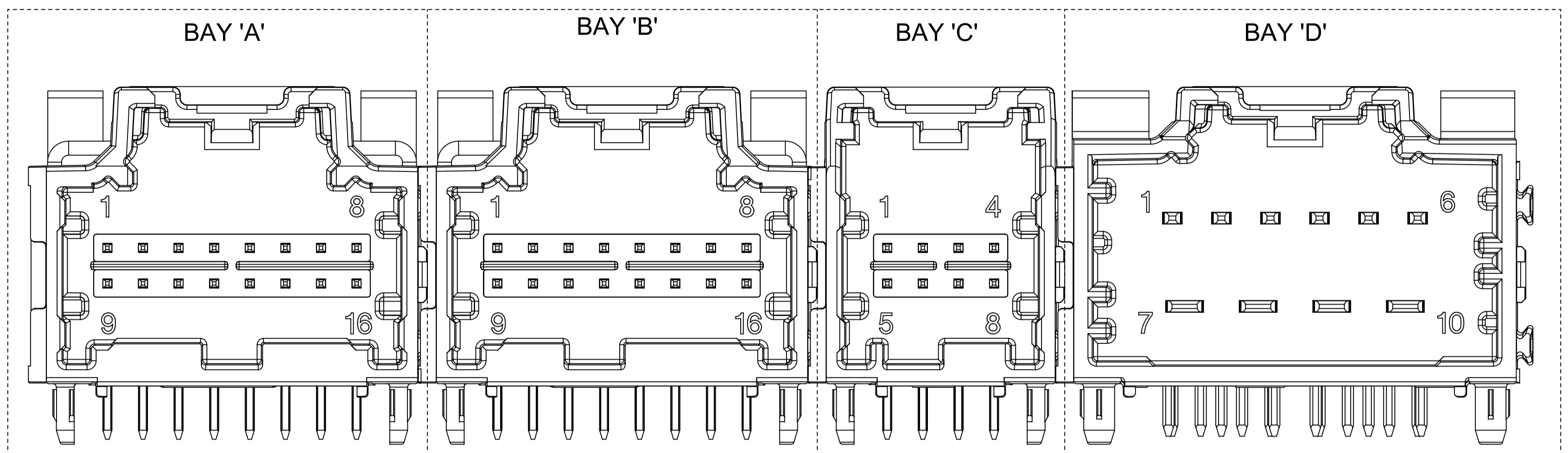


14 CKT HYBRID TEMPLATE PCB LAYOUT



SYMBOLS	THIS DRAWING CONTAINS INFORMATION THAT IS PROPRIETARY TO MOLEX ELECTRONIC TECHNOLOGIES, LLC AND SHOULD NOT BE USED WITHOUT WRITTEN PERMISSION		
	DIMENSION UNITS	SCALE	CURRENT REV DESC:
▽ = 0	mm	4:1	molex STAC64 3-BAY PAP R/A LONG PIN HEADER ASSEMBLY SALES DRAWING PRODUCT CUSTOMER DRAWING
▽ = 0	GENERAL TOLERANCES (UNLESS SPECIFIED)		
▽ = 0	ANGULAR TOL	± 1.0°	EC NO: 662725 DRWN: CZHANG118 2021/04/28 CHK'D: JDENG02 2021/05/18 APPR: JDENG02 2021/05/18
▽ = 0	4 PLACES	±	INITIAL REVISION: DRWN: JFISCHER01 2013/05/31 APPR: RBAUMAN 2013/06/04
▽ = 0	3 PLACES	±	
▽ = 0	2 PLACES	± 0.13	DOCUMENT NUMBER: SD-34997-300 DOC TYPE: PSD DOC PART: 001 REVISION: L10
▽ = 0	1 PLACE	± 0.25	
▽ = 0	0 PLACES	±	MATERIAL NUMBER: SEE CHART CUSTOMER: GENERAL MARKET SHEET NUMBER: 5 OF 5
▽ = 0	DRAFT WHERE APPLICABLE MUST REMAIN WITHIN DIMENSIONS		
▽ = 0	THIRD ANGLE PROJECTION	DRAWING	D-SIZE SERIES: 34997

4 BAY STAC64 RIGHT ANGLE PAP HEADER ASSEMBLY
(P/N: 34997-4000 SHOWN)



NOTES: VALID UNLESS OTHERWISE SPECIFIED

1. GENERAL:

- a. CONNECTOR HEADER MUST BE VALIDATED TO THE FOLLOWING FUNCTIONAL REQUIREMENTS:
PRODUCTS SPECIFICATION:
8-20 CKT 0.64 PRODUCT SPEC: PS-34729-020/PS-31408-100
10/14CKT CKT HYBRID PRODUCT SPEC: PS-31372-100
- b. APPLICATION REQUIREMENTS (REFERENCE ONLY):
APPLICATION SPECIFICATION: AS-34729-020/AS-31408-100
- c. PACKAGING SPECIFICATION PER MOLEX DRAWING PK-31300-892 (TRAY)
- d. PACKAGING SPECIFICATION PER MOLEX DRAWING PK-31301-063 (TUBE)

2. DESIGN: MATERIALS

- a. SHROUD (PLASTIC HOUSING)
RESIN - SPS 30%GF
- b. 0.64mm PINS:
BASE MATERIAL: C26000
PLATING TYPE: AS NOTED
- 1.50mm/2.80mm BLADES:
BASE MATERIAL: C19400
PLATING TYPE: AS NOTED

3. PLATING REQUIREMENTS:

- a. UNDERPLATING - OVERALL NICKEL
- b. OVERPLATING - OVERALL TIN

- 4. FOR DESCRIPTION OF INDIVIDUAL BAYS, REFER TO THE FOLLOWING SINGLE BAY DRAWINGS:
8-20 CKT 0.64: SD-34691-601
10CKT HYBRID: SD-34696-100
14CKT HYBRID: SD-34773-010

- 5. DENOTES DIMENSIONS THAT MAY BE QUALIFIED WITH A GAUGE.

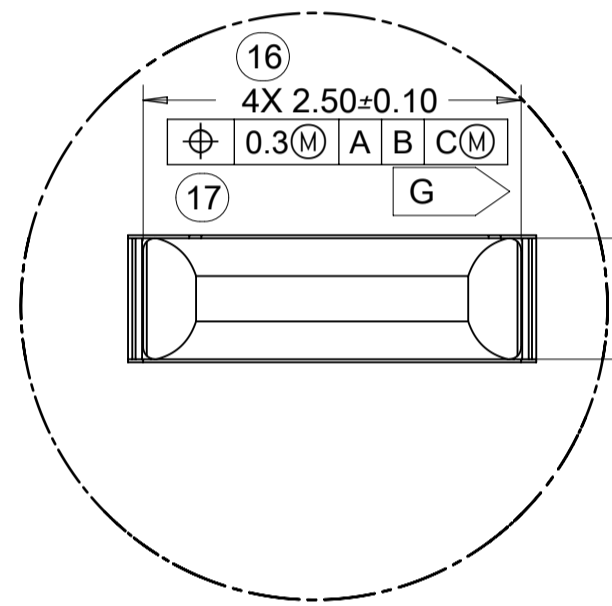
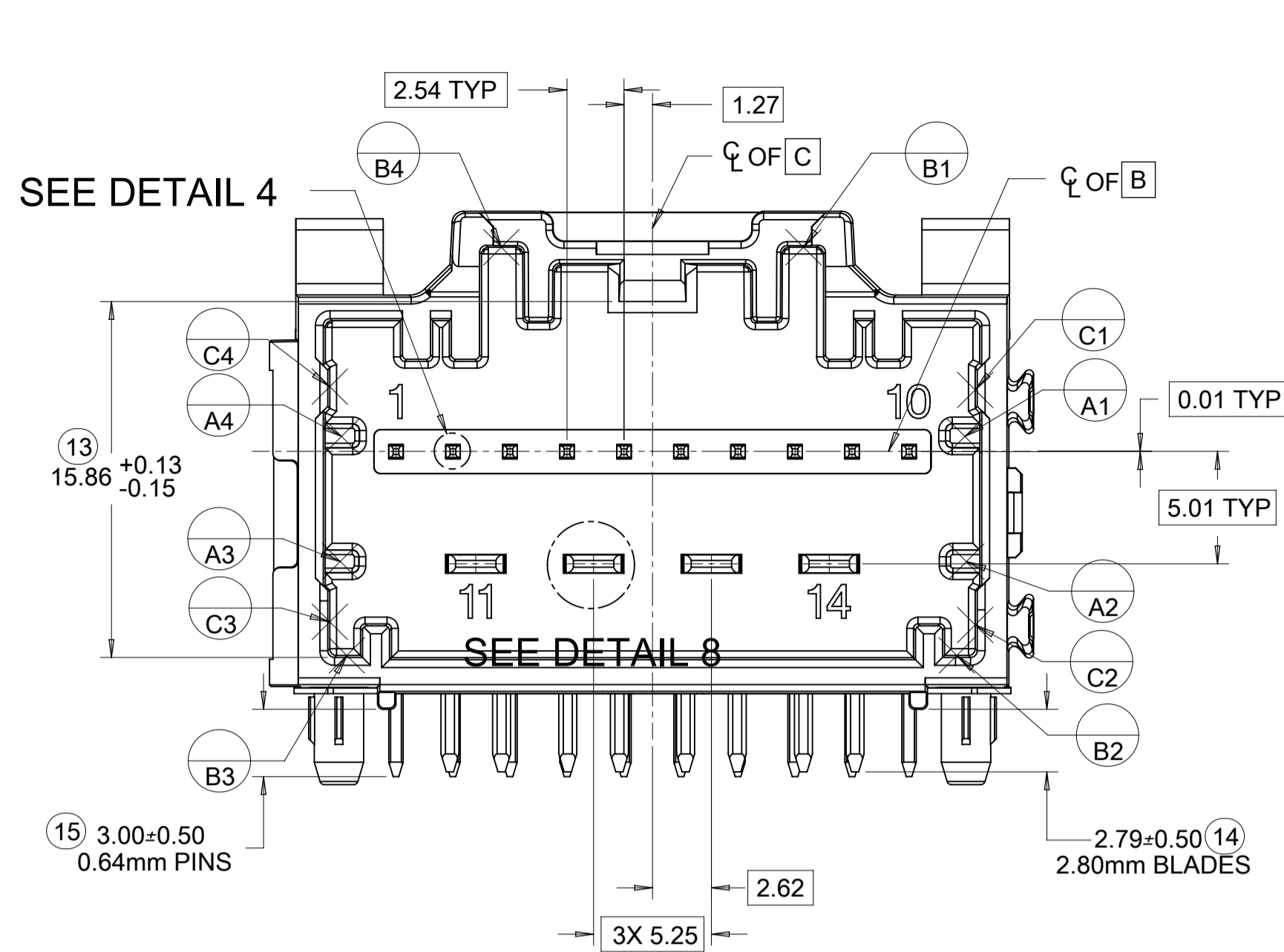
QUALITY SYMBOLS FA = 0 FE = 0 FE = 0 ▼ = 0 C = 0 ☒ = 0 ■ = 0 ∇ = 0	THIS DRAWING CONTAINS INFORMATION THAT IS PROPRIETARY TO MOLEX ELECTRONIC TECHNOLOGIES, LLC AND SHOULD NOT BE USED WITHOUT WRITTEN PERMISSION										
	EC NO: 612618 DRWN: SHANDITHAVAL CHKD: RBAUMAN APPR: RBAUMAN	2019/02/22	2019/02/23	2019/02/23	GENERAL TOLERANCES (UNLESS SPECIFIED)	DIMENSION UNITS	SCALE				
		mm	4:1	ANGULAR TOL ± 1.0 °	DRWN BY	DATE					
		4 PLACES ±	JFISCHER01	2013/05/31	3 PLACES ±	CHK'D BY	DATE				
2 PLACES ± 0.13	RBAUMAN	2013/06/04	1 PLACE ± 0.25	APPR BY	DATE	PRODUCT CUSTOMER DRAWING		SERIES	MATERIAL NUMBER	CUSTOMER	
0 PLACES ±	DRAFT WHERE APPLICABLE MUST REMAIN WITHIN DIMENSIONS		A1	THIRD ANGLE PROJECTION		34997	SEE CHART	GENERAL MARKET			
C8		DOCUMENT NUMBER		DOC TYPE		DOC PART		SHEET NUMBER			
		SD-34997-400		PSD		001		1 OF 5			

DIMENSIONAL CHART FOR MULTIBAY CONFIGURATION:

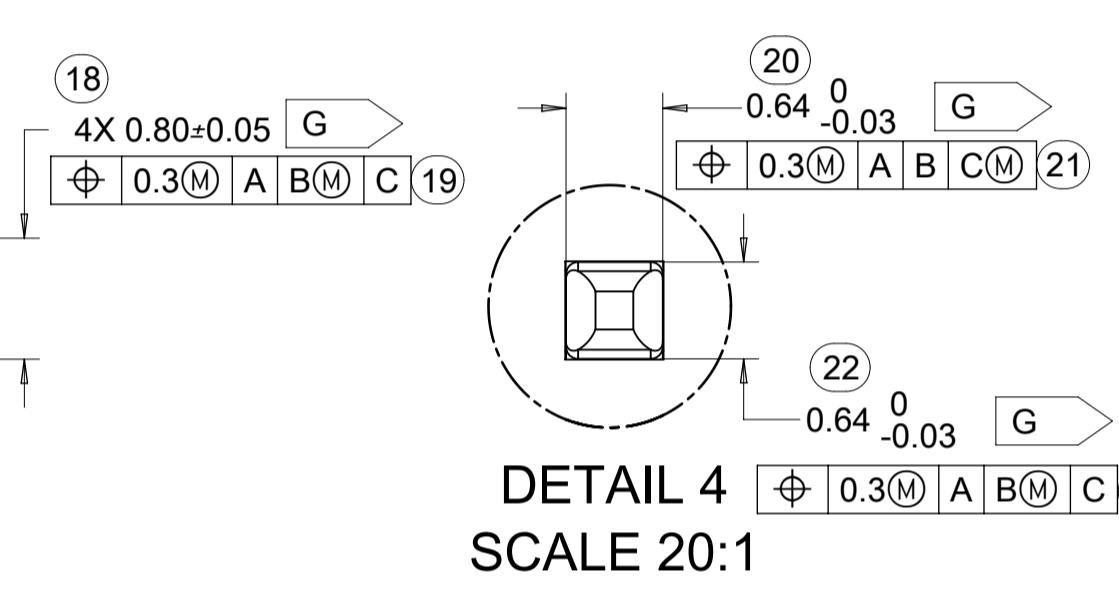
4 BAY PART NUMBER (TUBE PKG)	4 BAY PART NUMBER (TRAY PKG)	BAY A			BAY B			BAY C			BAY D			DIM 'A'	DIM 'B'	DIM 'C'	DIM 'D'	DIM 'E'	DIM 'F'
		CKT	TYPE	POL	CKT	TYPE	POL	CKT	TYPE	POL	CKT	TYPE	POL						
TBD	34997-4000	16	0.64mm	B	16	0.64mm	A	8	0.64mm	A	10	HYBRID	A	107.34	104.87	22.86	22.86	12.70	27.94
TBD	34997-4001	8	0.64mm	A	20	0.64mm	C	20	0.64mm	B	10	HYBRID	A	117.50	115.03	12.70	27.94	27.94	27.94
TBD	34997-4002	20	0.64mm	A	20	0.64mm	B	20	0.64mm	C	20	0.64mm	D	132.74	130.27	27.94	27.94	27.94	27.94
TBD	34997-4003	20	0.64mm	A	20	0.64mm	B	20	0.64mm	C	10	HYBRID	A	132.74	130.27	27.94	27.94	27.94	27.94
34997-9004	34997-4004	12	0.64mm	A	12	0.64mm	B	16	0.64mm	A	16	0.64mm	B	102.26	99.79	17.78	17.78	22.86	22.86

QUALITY SYMBOLS FA = 0 FB = 0 FC = 0 FD = 0 FE = 0 FF = 0 FG = 0 FH = 0 FI = 0 FJ = 0 FK = 0 FL = 0 FM = 0 FN = 0 FO = 0 FP = 0 FQ = 0 FR = 0 FS = 0 FT = 0 FU = 0 FV = 0 FW = 0 FX = 0 FY = 0 FZ = 0 FA0 = 0 FA1 = 0 FA2 = 0 FA3 = 0 FA4 = 0 FA5 = 0 FA6 = 0 FA7 = 0 FA8 = 0 FA9 = 0 FA10 = 0 FA11 = 0 FA12 = 0 FA13 = 0 FA14 = 0 FA15 = 0 FA16 = 0 FA17 = 0 FA18 = 0 FA19 = 0 FA20 = 0 FA21 = 0 FA22 = 0 FA23 = 0 FA24 = 0 FA25 = 0 FA26 = 0 FA27 = 0 FA28 = 0 FA29 = 0 FA30 = 0 FA31 = 0 FA32 = 0 FA33 = 0 FA34 = 0 FA35 = 0 FA36 = 0 FA37 = 0 FA38 = 0 FA39 = 0 FA40 = 0 FA41 = 0 FA42 = 0 FA43 = 0 FA44 = 0 FA45 = 0 FA46 = 0 FA47 = 0 FA48 = 0 FA49 = 0 FA50 = 0 FA51 = 0 FA52 = 0 FA53 = 0 FA54 = 0 FA55 = 0 FA56 = 0 FA57 = 0 FA58 = 0 FA59 = 0 FA60 = 0 FA61 = 0 FA62 = 0 FA63 = 0 FA64 = 0 FA65 = 0 FA66 = 0 FA67 = 0 FA68 = 0 FA69 = 0 FA70 = 0 FA71 = 0 FA72 = 0 FA73 = 0 FA74 = 0 FA75 = 0 FA76 = 0 FA77 = 0 FA78 = 0 FA79 = 0 FA80 = 0 FA81 = 0 FA82 = 0 FA83 = 0 FA84 = 0 FA85 = 0 FA86 = 0 FA87 = 0 FA88 = 0 FA89 = 0 FA90 = 0 FA91 = 0 FA92 = 0 FA93 = 0 FA94 = 0 FA95 = 0 FA96 = 0 FA97 = 0 FA98 = 0 FA99 = 0	THIS DRAWING CONTAINS INFORMATION THAT IS PROPRIETARY TO MOLEX ELECTRONIC TECHNOLOGIES, LLC AND SHOULD NOT BE USED WITHOUT WRITTEN PERMISSION									
	EC NO: 612618 DRWN: SHANDITHAVAL CHKD: RBAUMAN APPR: RBAUMAN	2019/02/22 2019/02/23 2019/02/23	GENERAL TOLERANCES (UNLESS SPECIFIED) DIMENSION UNITS: mm SCALE: 1:1 ANGULAR TOL ± 1.0 ° DRWN BY: JFISCHER01 DATE: 2013/05/31 CHK'D BY: [blank] DATE: [blank]	molex® STAC64 4-BAY PAP R/A LONG PIN HEADER ASSEMBLY SALES DRAWING						
	4 PLACES ± 3 PLACES ± 2 PLACES ± 0.13 1 PLACE ± 0.25 0 PLACES ±	APPR BY: RBAUMAN DATE: 2013/06/04	PRODUCT CUSTOMER DRAWING							
	DRAFT WHERE APPLICABLE MUST REMAIN WITHIN DIMENSIONS	DRAWING SIZE: A1 THIRD ANGLE PROJECTION	SERIES: 34997 MATERIAL NUMBER: SEE CHART CUSTOMER: GENERAL MARKET							
	C8	DOCUMENT NUMBER: SD-34997-400 DOC TYPE: PSD DOC PART: 001 SHEET NUMBER: 2 OF 5								

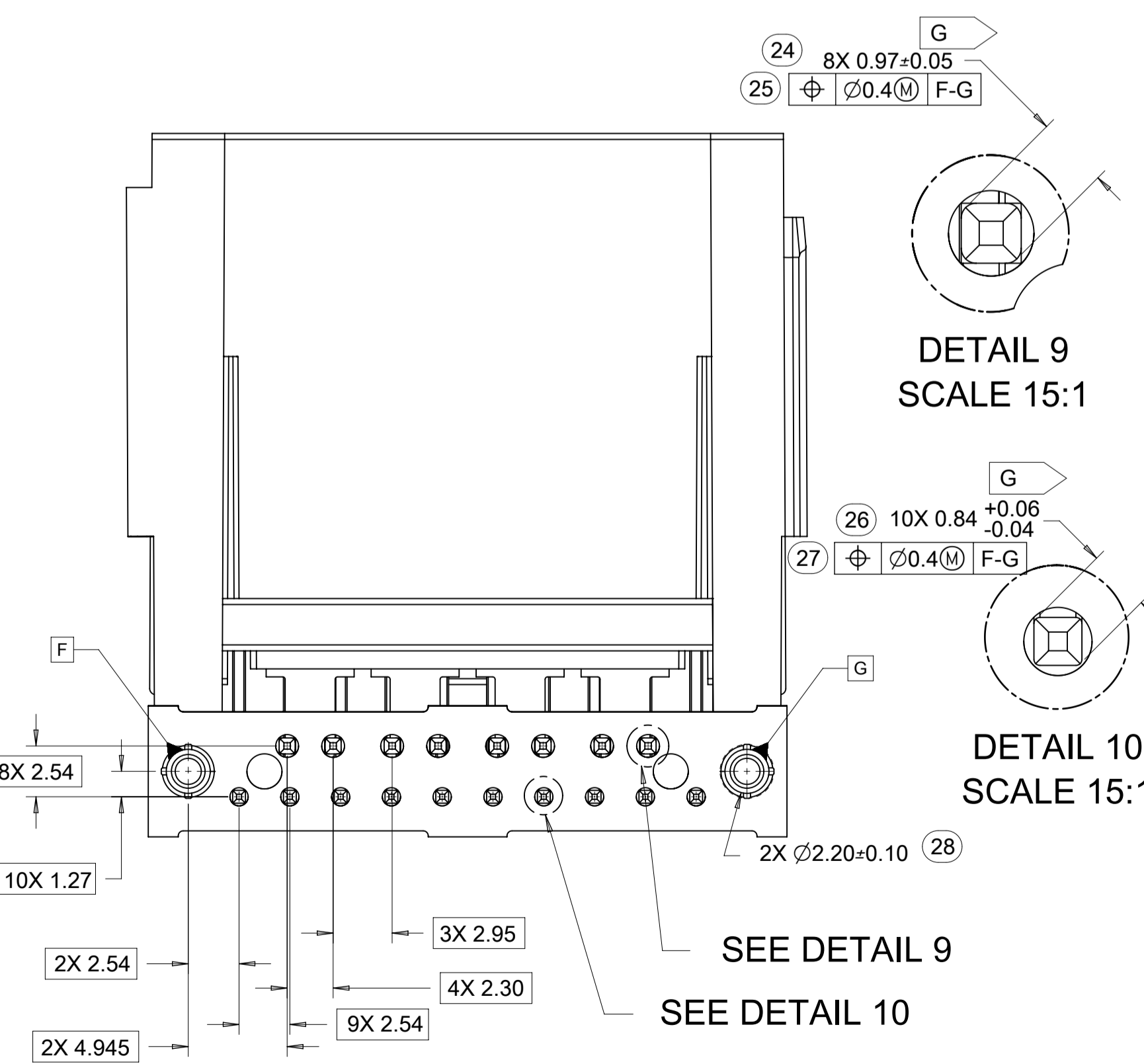
14 CKT STAC HYBRID HEADER DETAILS



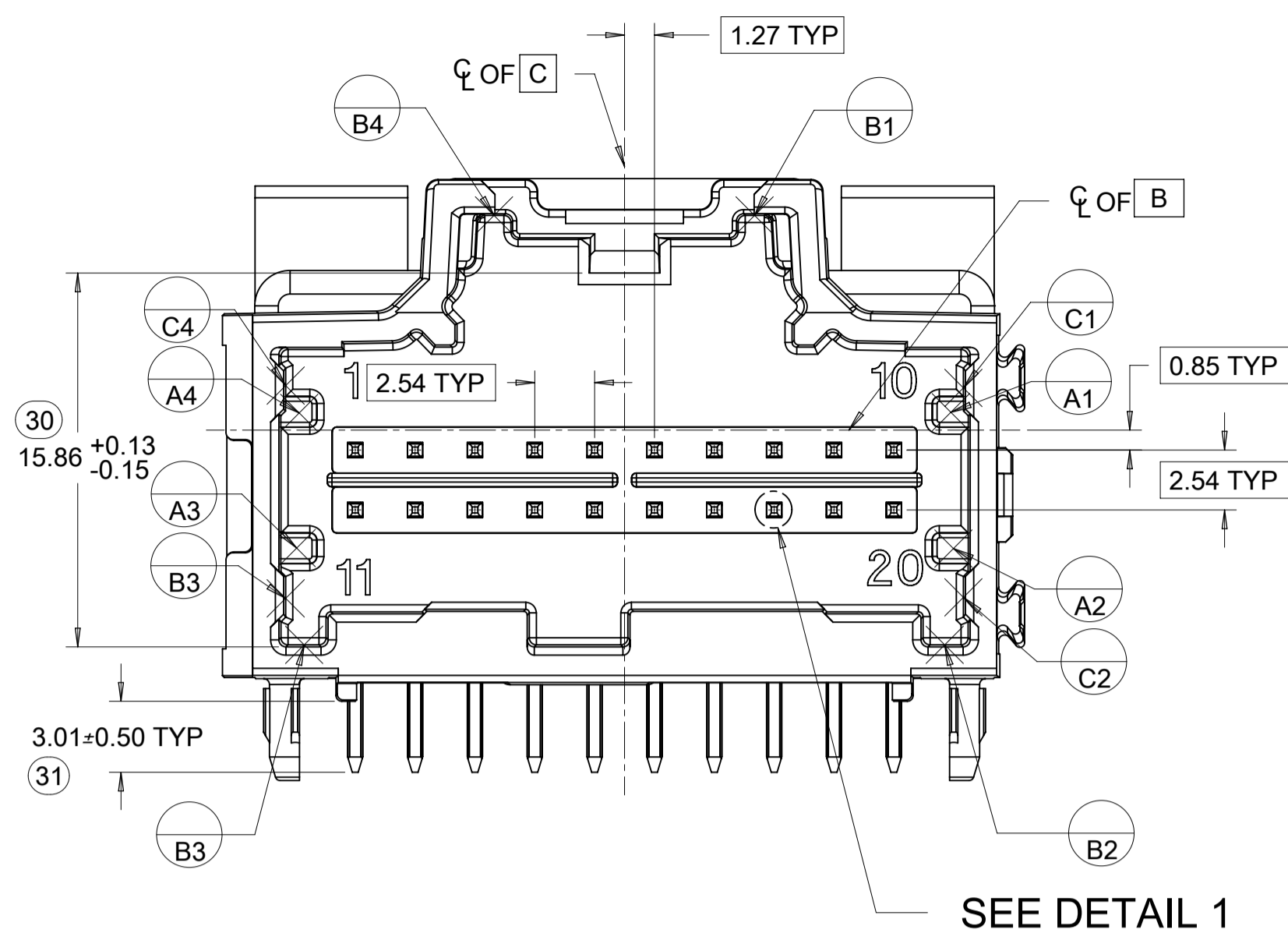
DETAIL 8
SCALE 20:1



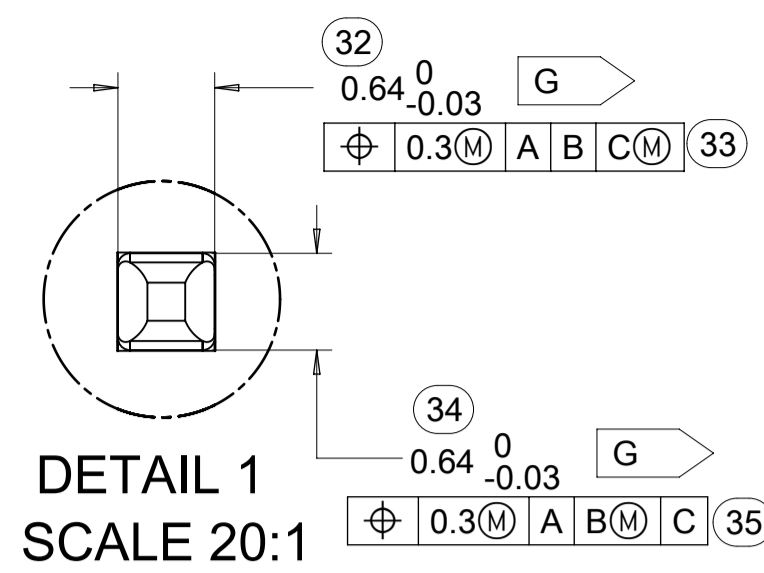
DETAIL 4
SCALE 20:1



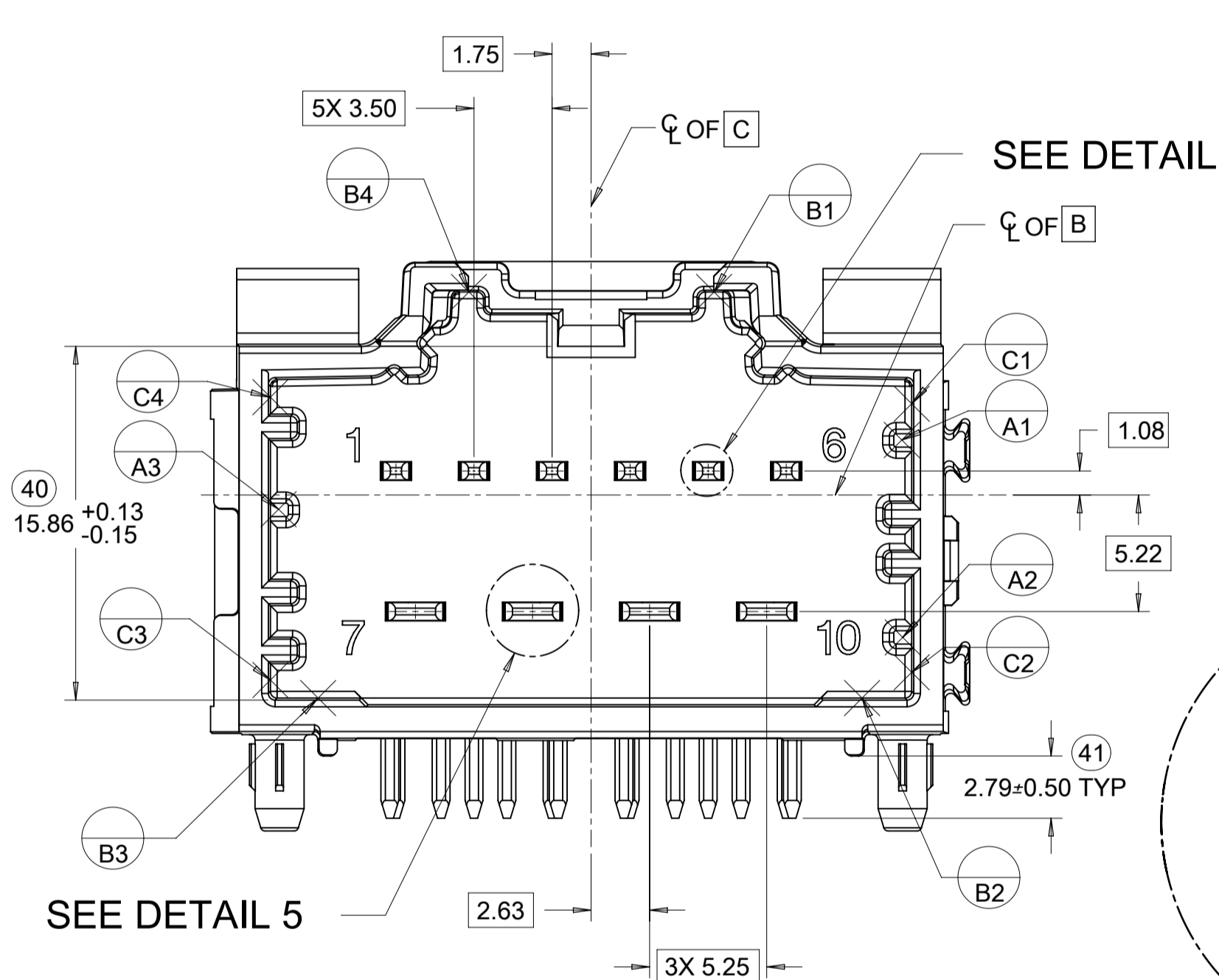
DETAIL 10
SCALE 15:1



SEE DETAIL 1

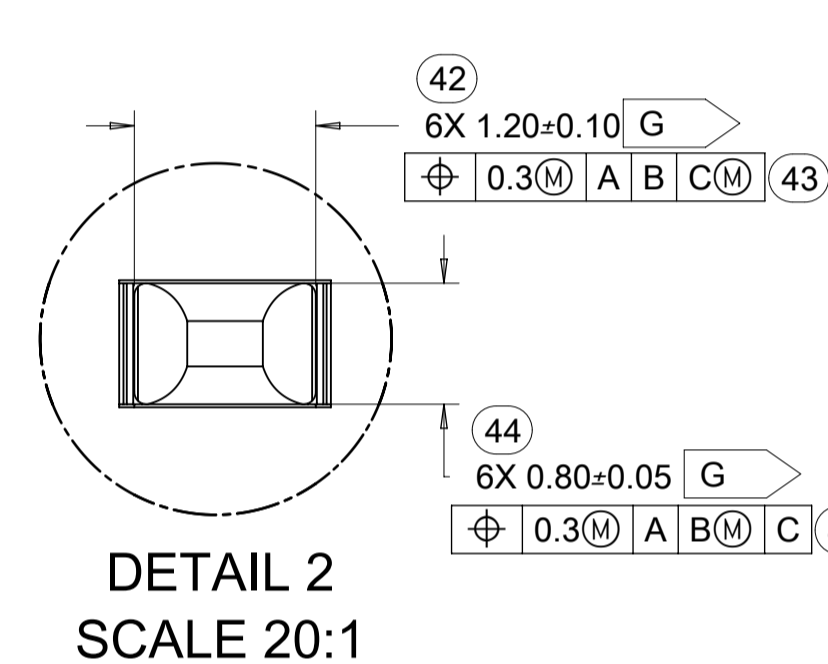


DETAIL 1
SCALE 20:1

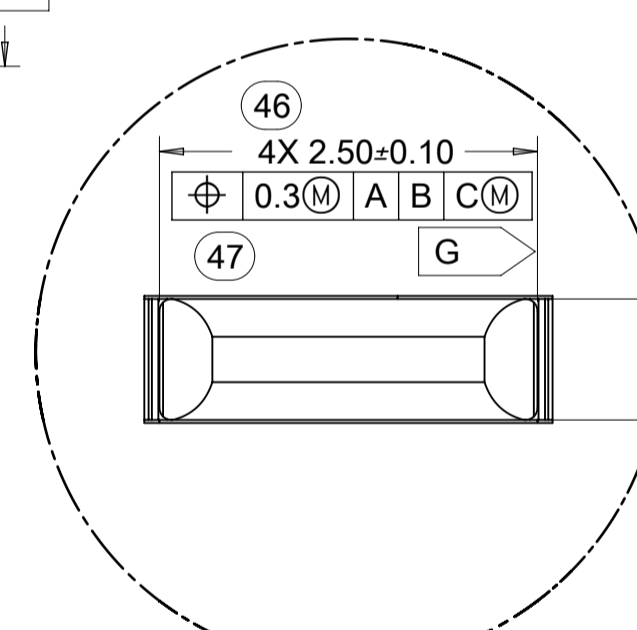


SEE DETAIL 5

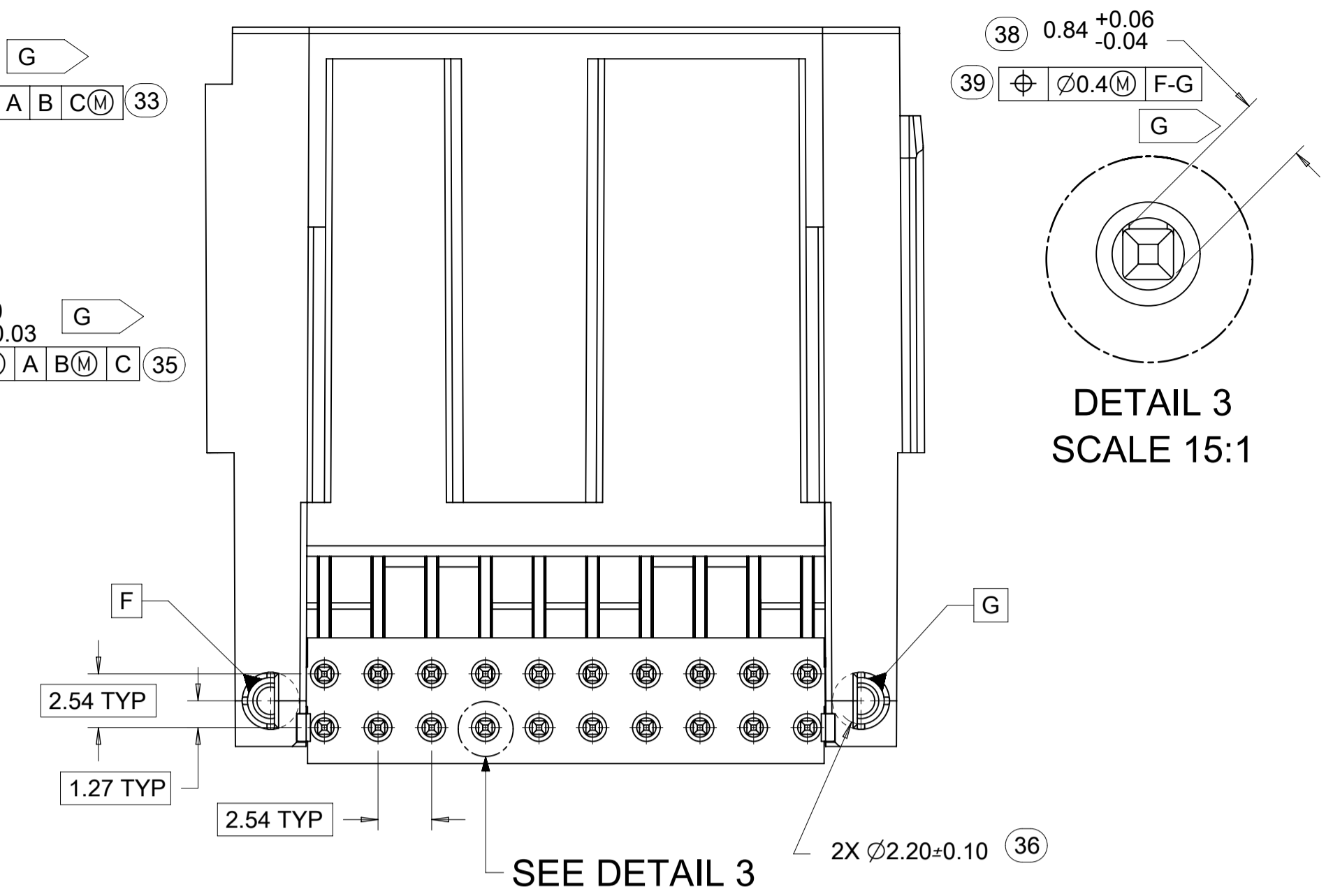
SEE DETAIL 2



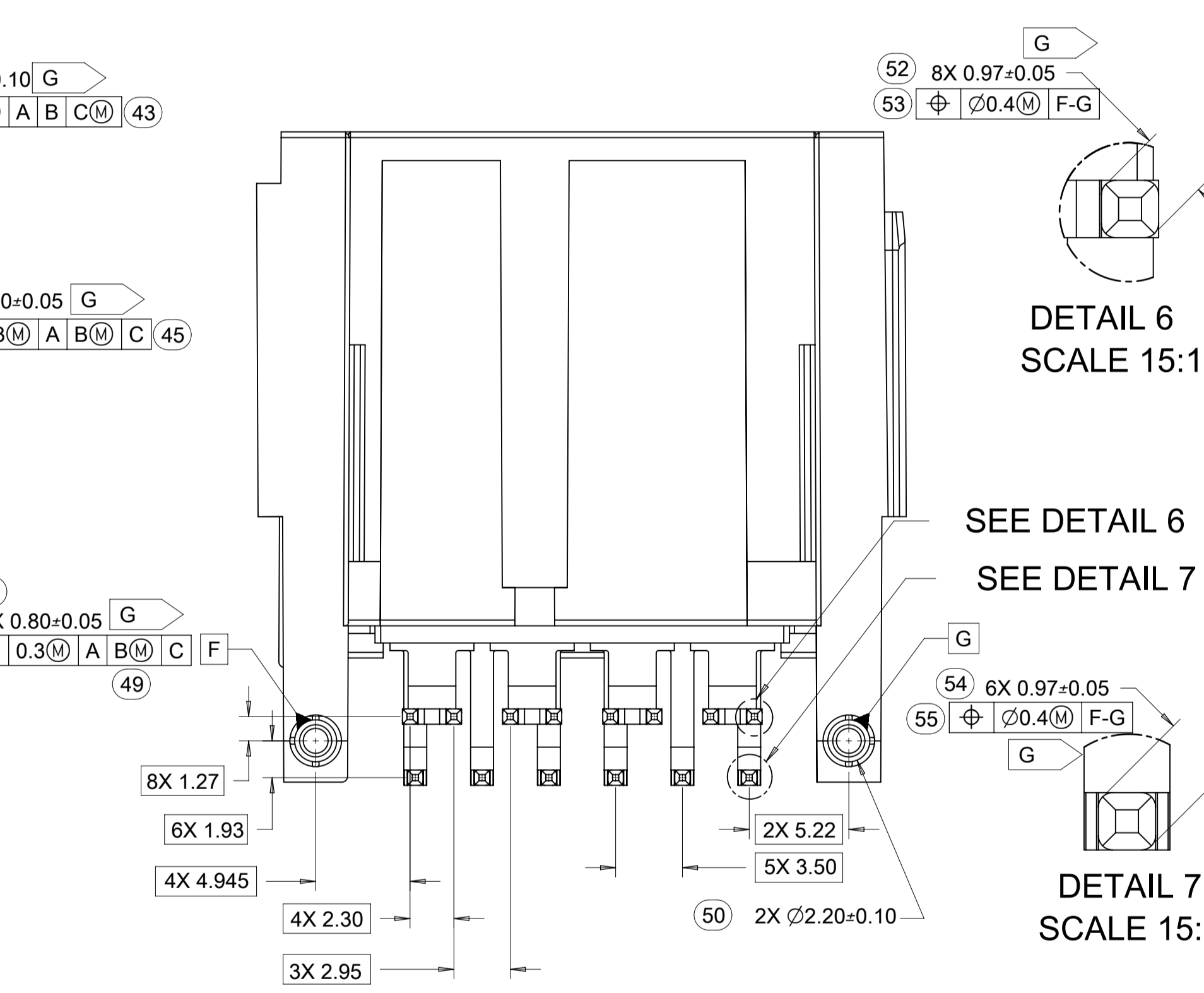
DETAIL 2
SCALE 20:1



DETAIL 5
SCALE 20:1



DETAIL 3
SCALE 15:1

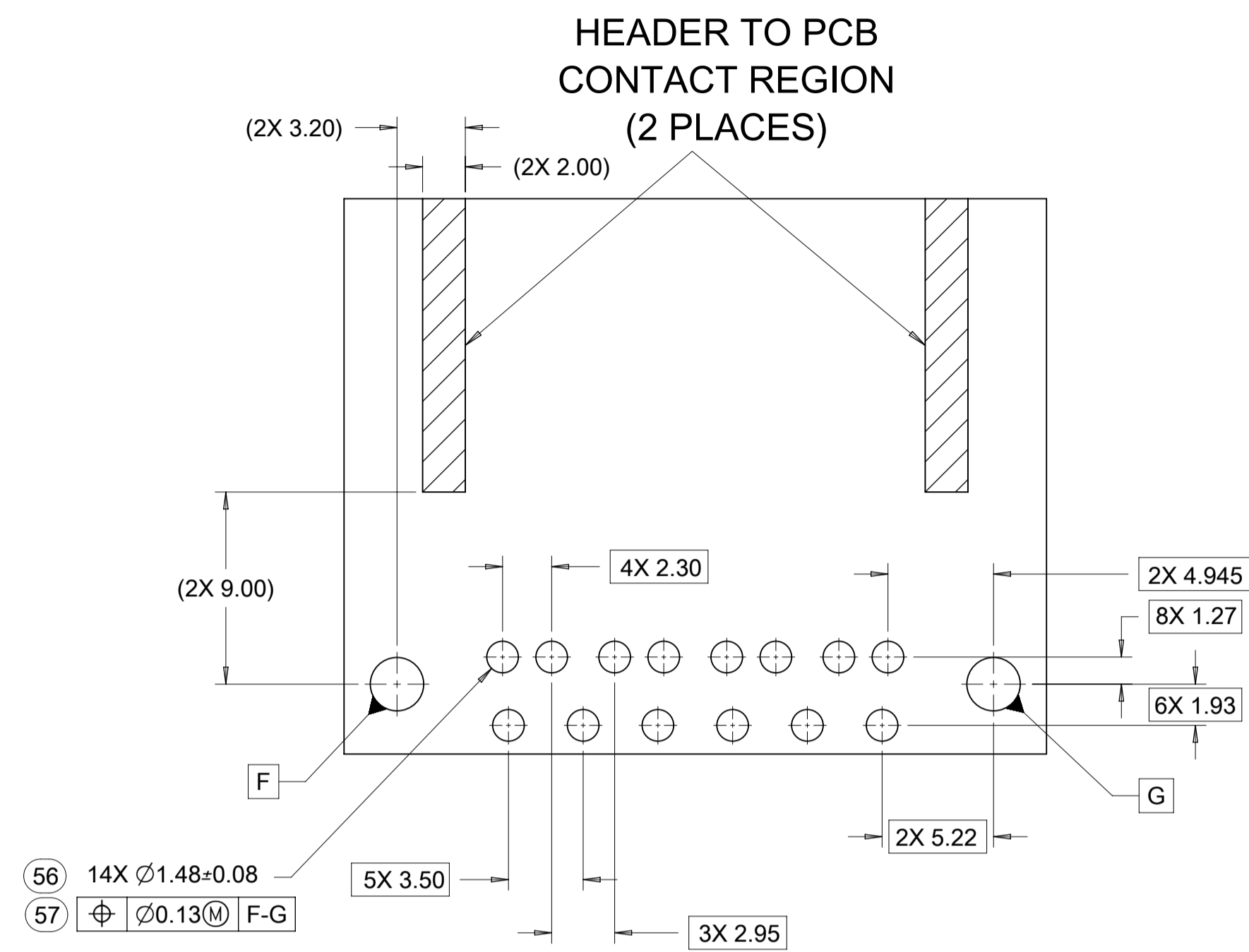


DETAIL 6
SCALE 15:1

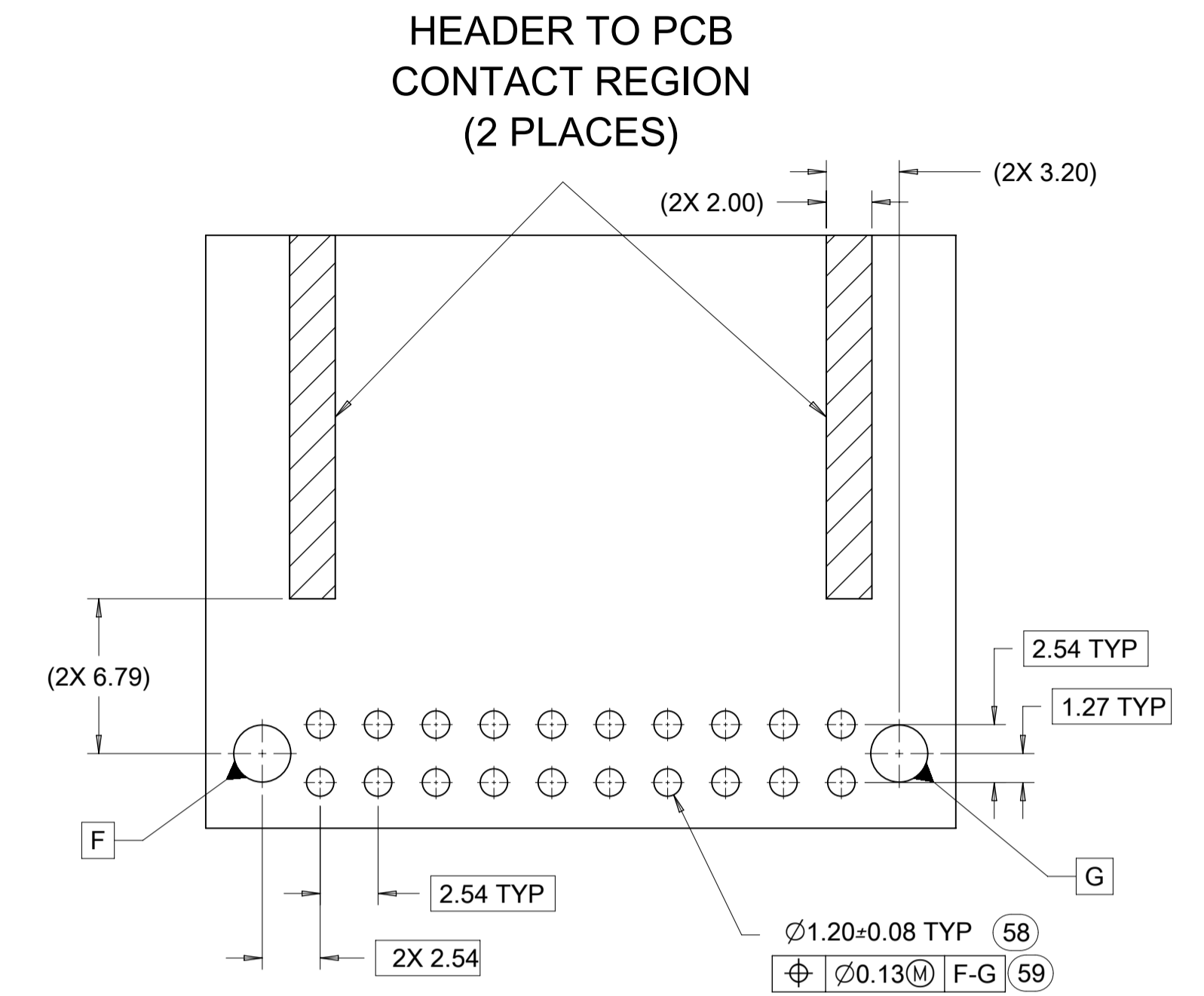
DETAIL 7
SCALE 15:1

QUALITY SYMBOLS F = 0 E = 0 E = 0 = 0 C = 0 X = 0 = 0 V = 0	THIS DRAWING CONTAINS INFORMATION THAT IS PROPRIETARY TO MOLEX ELECTRONIC TECHNOLOGIES, LLC AND SHOULD NOT BE USED WITHOUT WRITTEN PERMISSION			
	EC NO: 612618 DRWN: SHANDITHAVAL CHKD: RBAUMAN REV APPR: RBAUMAN	2019/02/22 2019/02/23 2019/02/23	GENERAL TOLERANCES (UNLESS SPECIFIED) ANGULAR TOL ± 1.0 ° 4 PLACES ± 3 PLACES ± 2 PLACES ± 0.13 1 PLACE ± 0.25 0 PLACES ± DRAFT WHERE APPLICABLE MUST REMAIN WITHIN DIMENSIONS	DIMENSION UNITS: mm SCALE: 4:1 DRWN BY: JFISCHER01 DATE: 2013/05/31 CHKD BY: RBAUMAN DATE: 2013/06/04 APPR BY: RBAUMAN DATE: 2013/06/04 DRAWING SIZE: A1 THIRD ANGLE PROJECTION

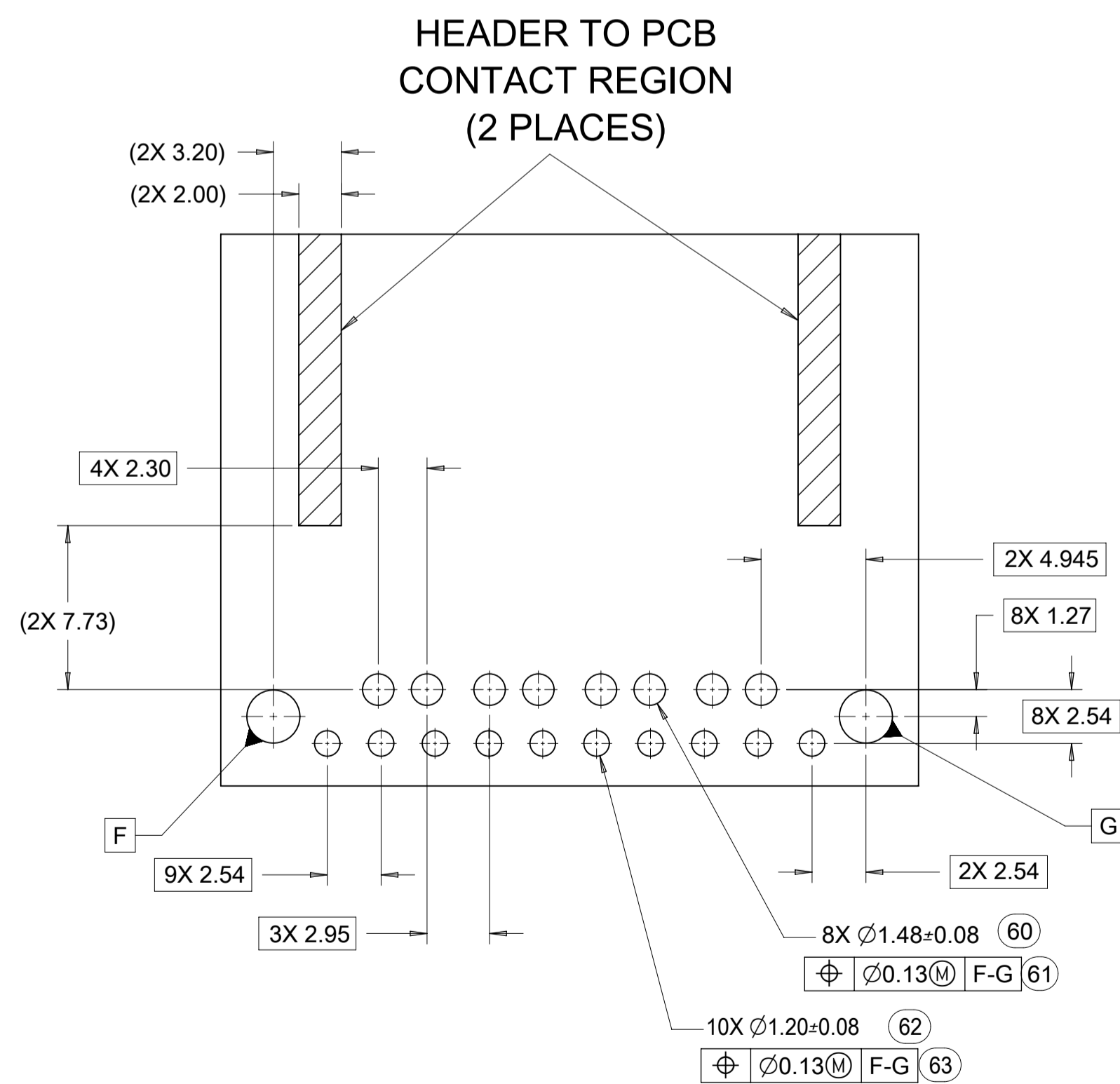
10 CKT HYBRID TEMPLATE PCB LAYOUT



8-20CKT 0.64mm TEMPLATE PCB LAYOUT



14 CKT HYBRID TEMPLATE PCB LAYOUT



THIS DRAWING CONTAINS INFORMATION THAT IS PROPRIETARY TO MOLEX ELECTRONIC TECHNOLOGIES, LLC AND SHOULD NOT BE USED WITHOUT WRITTEN PERMISSION											
QUALITY SYMBOLS	EC NO: 612618 DRWN: SHANDITHAVAL CHKD: RBAUMAN APPR: RBAUMAN	2019/02/22 2019/02/23 2019/02/23	GENERAL TOLERANCES (UNLESS SPECIFIED)		DIMENSION UNITS	SCALE					
			ANGULAR TOL ± 1.0 °		mm	4:1					
FA = 0 FE = 0 FE = 0 ▼ = 0 C = 0 X = 0 ■ = 0 V = 0	4 PLACES ± 3 PLACES ± 2 PLACES ± 0.13 1 PLACE ± 0.25 0 PLACES ±		DRWN BY JFISCHER01		DATE 2013/05/31						
DRAFT WHERE APPLICABLE MUST REMAIN WITHIN DIMENSIONS		DRAWING SIZE A1		THIRD ANGLE PROJECTION		PRODUCT CUSTOMER DRAWING					
RELEASE STATUS P1 RELEASE DATE 2019/02/23 23:33:07		SERIES 34997 MATERIAL NUMBER SEE CHART CUSTOMER GENERAL MARKET		DOCUMENT NUMBER SD-34997-400 DOC TYPE PSD DOC PART 001 SHEET NUMBER 5 OF 5							