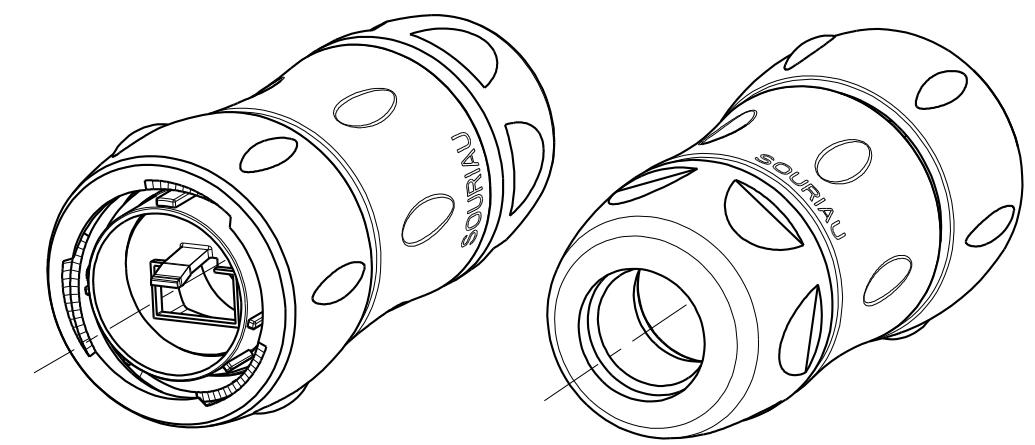
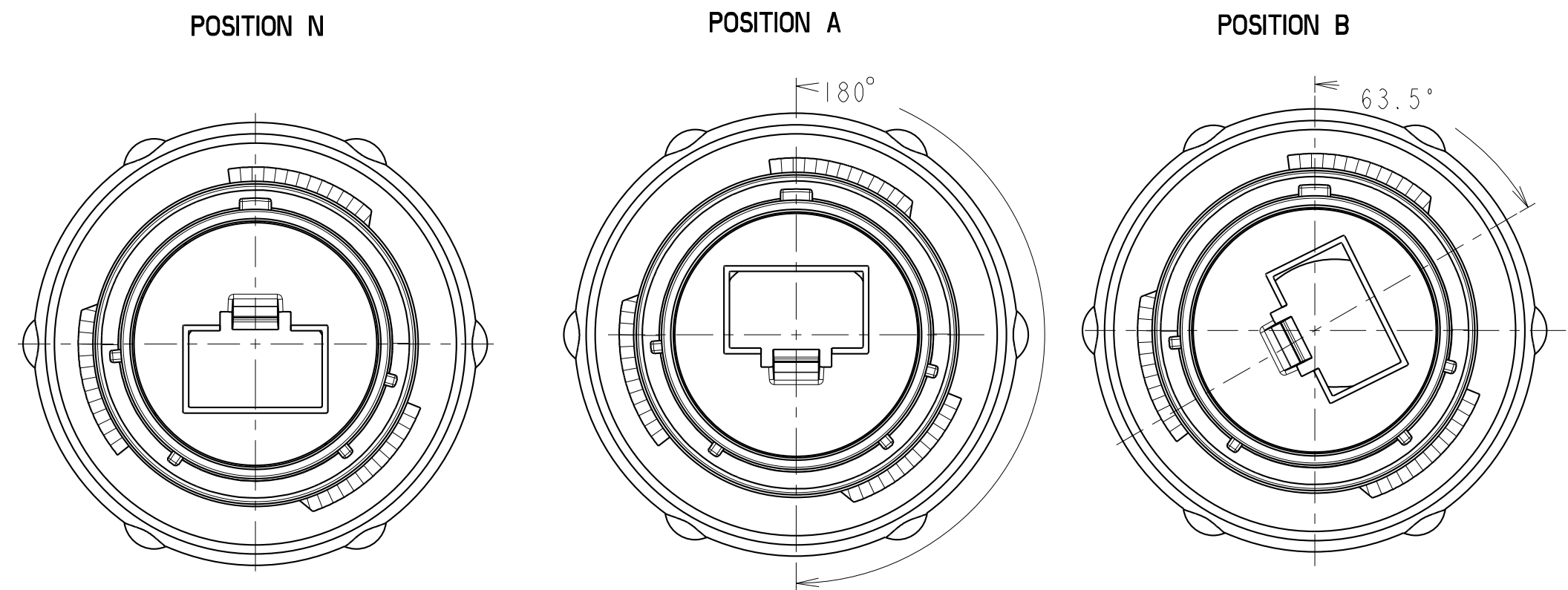


**POLARIZATION  
ALTERNATIVE KEY WAY POSITION**



**MATERIAL:**

- Shell : PA 66 UL94 V0
- Coupling nut : PA 66 UL94 V0
- Insert : PA 66 UL94 V0
- Coupling spring : Stainless steel
- O'seal : Nitril
- Backshell : PA 66 UL94 V0

**PERFORMANCE CHARACTERISTICS:**

- Operating temperature : -40°C up to 85°C
- Corrosion salt spray : 500 hours salt spray
- Durability : 250 matings and unmatings
- Sealing : IP67
- RJ45 component : Cat 5 E

**NOTES :**

**UTS6 JC 18 RJ \* 25**

- Plug UTS
- Backshell type JC
- Shell size
- Insert arrangement
- Insert polarisation :
  - N : standard version
  - A, B : Different orientations
- Specification 25
- Backshell Ø capacity 7 / 16 mm

b	09/12/08	Add specification n°25	--
ISS	DATE	Latest modification - by:	MOD N°
Designed by:	<b>RAGAINEM</b>	Date: 16/02/07	CUSTOMER DRAWING
TITLE	CONNECTEUR UTS RJ 45 CAT5 EQUIPEMENT		
Scale	1/1	General linear Tolerances: ±0.2	NPRDS / PROJECT <b>UTS1</b>
		WWW.SOURIAU.COM	This document is the property of SOURIAU. It must not be reproduced or communicated without permission.
FORMAT	A2	SOURIAU DRG N° UTS6JCI8RJ-X-C	SHEET
<b>NOT EXPORT CONTROLLED</b>			