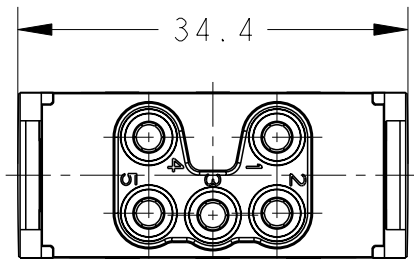
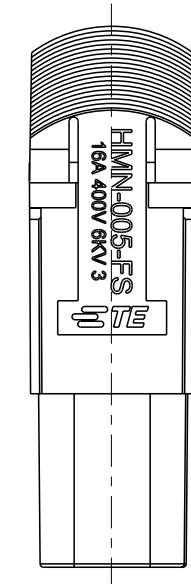
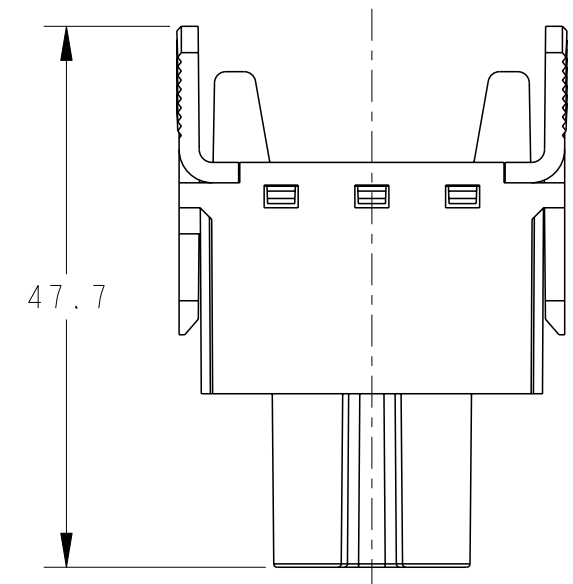
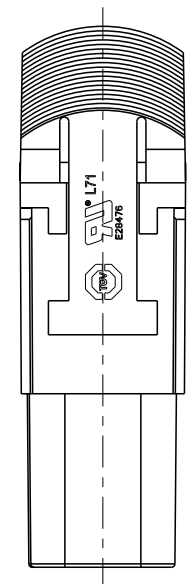
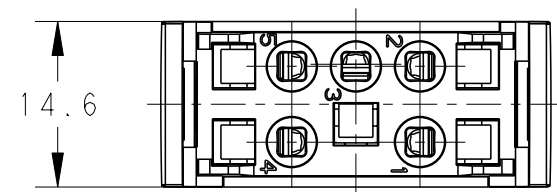
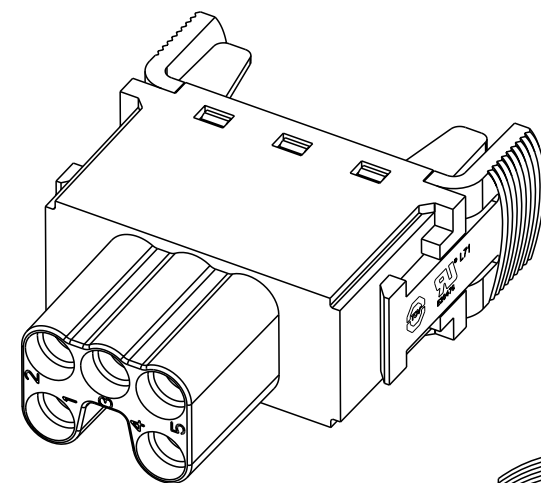


THIS DRAWING IS UNPUBLISHED. RELEASED FOR PUBLICATION 20  
 © COPYRIGHT 20 BY - ALL RIGHTS RESERVED.

REVISIONS					
P	LTR	DESCRIPTION	DATE	DWN	APVD
A		INITIAL	29APR2015	DW	CW
B		ECR-15-018270	09DEC2015	DW	CW



NOTES:  
 1. TECHNICAL CHARACTERISTICS:  
 INSULATION MATERIAL: PC  
 RATED VOLTAGE: 400V  
 RATED CURRENT: 16A  
 INSULATION RESISTANCE:  $\geq 400M\Omega$   
 RATED IMPULSE VOLTAGE: 6KV  
 POLLUTION DEGREE: 3  
 CONTACT RESISTANCE:  $\leq 5m\Omega$   
 FLAMMABILITY: UL94V-0  
 MATING CYCLES: 500 CYCLES  
 OPERATION TEMPERATURE:  $-40^{\circ}C \sim +125^{\circ}C$   
 WIRE RANGE: 0.5~2.5mm<sup>2</sup>  
 CONTACT TYPE: SPRING TYPE.

注释:  
 1. 技术参数:  
 绝缘材料: PC  
 额定电压: 400V  
 额定电流: 16A  
 绝缘电阻:  $\geq 400M\Omega$   
 脉冲电压: 6KV  
 污染等级: 3  
 接触电阻:  $\leq 5m\Omega$   
 阻燃等级: UL94V-0  
 插拔次数: 500次  
 工作温度:  $-40^{\circ}C \sim +125^{\circ}C$   
 接线范围: 0.5~2.5mm<sup>2</sup>  
 接线类型: 弹片连接

HMN-005-FS	T2110052201-000
DESCRIPTION	PART NUMBER

THIS DRAWING IS A CONTROLLED DOCUMENT.		DWN	29APR2015		NAME	HMN-005-FS	RESTRICTED TO				
		CHK	29APR2015								
		APVD	29APR2015								
		PRODUCT SPEC	108-137119								
DIMENSIONS: mm		TOLERANCES UNLESS OTHERWISE SPECIFIED:		APPLICATION SPEC		114-137119	SIZE	CAGE CODE	DRAWING NO	RESTRICTED TO	
		0 PLC	±-	WEIGHT		-	A3	00779	C-T2110052201000	-	
MATERIAL		FINISH	-	Customer Drawing		SCALE	3:2	SHEET	1 OF 1	REV	B