



BOARD LEVEL COOLING – M47

Max Clip standards are designed to be a labor saving option for board level cooling. Max Clip standard work with multiple devices and can be customized for specific applications. See Max Clip Standard Part Numbering to build your semi-custom heat sink. Representative Image Only.

Benefits:

Labor Saving

- **Cost Efficient** – Integrated clip designed into heat sink
- **Time Saver** – Easy assemble before wave soldering
- **Customizable** – Solder pins and length



ORDERING INFORMATION

Part Number	Device Type
M47059B011000G	TO-247, TO-220, TO-126
M47079B011000G	TO-247, TO-220, TO-126
M47098B011000G	TO-247, TO-220, TO-126
M47118B011000G	TO-247, TO-220, TO-126

HEAT SINK DETAILS

Property	Details
Material	Aluminum
Finish	Black Anodize
Device Attachment Options	Solderable Pins
Thermal Interface Material	-

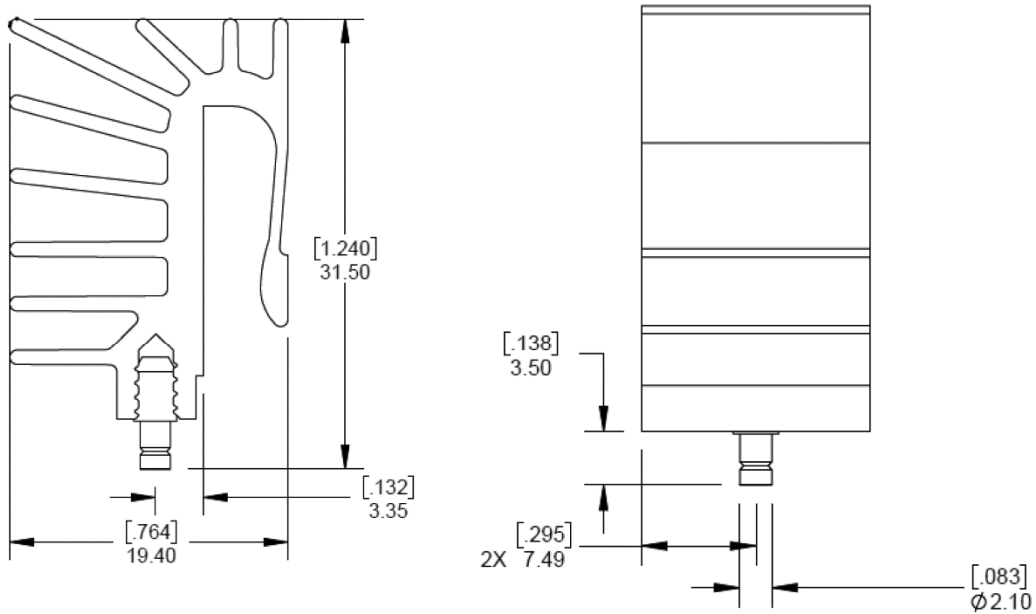
Property	Details
Heat Sink Width (mm)	19.4 (0.763)
Heat Sink Length (mm)	See Below Table
Heat Sink Height (mm)	31.5 (1.240)
Heat Sink Mounting Direction	Vertical, Horizontal

For additional order information please see Max Clip Standard Part Numbering System. Aavid reserves the right to make changes to products or information contained herein without noticed. For additional information, please contact Aavid directly.

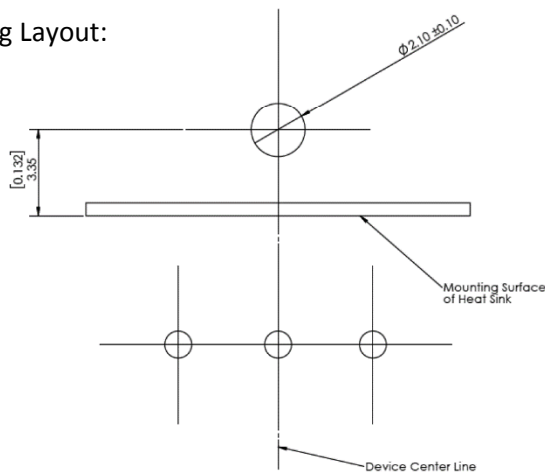
MECHANICAL & PERFORMANCE

Drawing dimensions are shown in mm, (in)

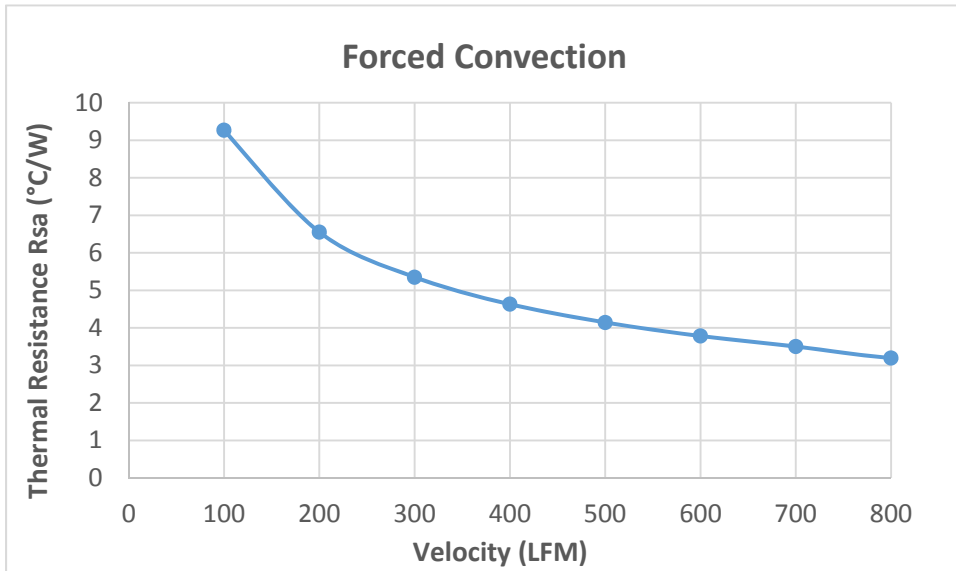
Part Number	Length
M47059B011000G	14.99 (0.59)
M47079B011000G	20.07 (0.79)
M47098B011000G	24.89 (0.98)
M47118B021000G	30.15 (1.18)



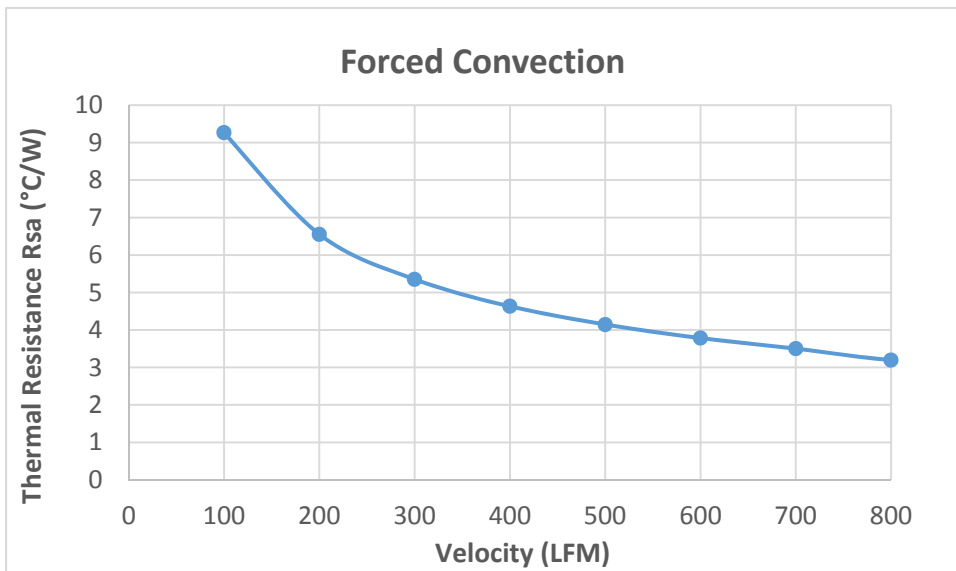
Board Mounting Layout:



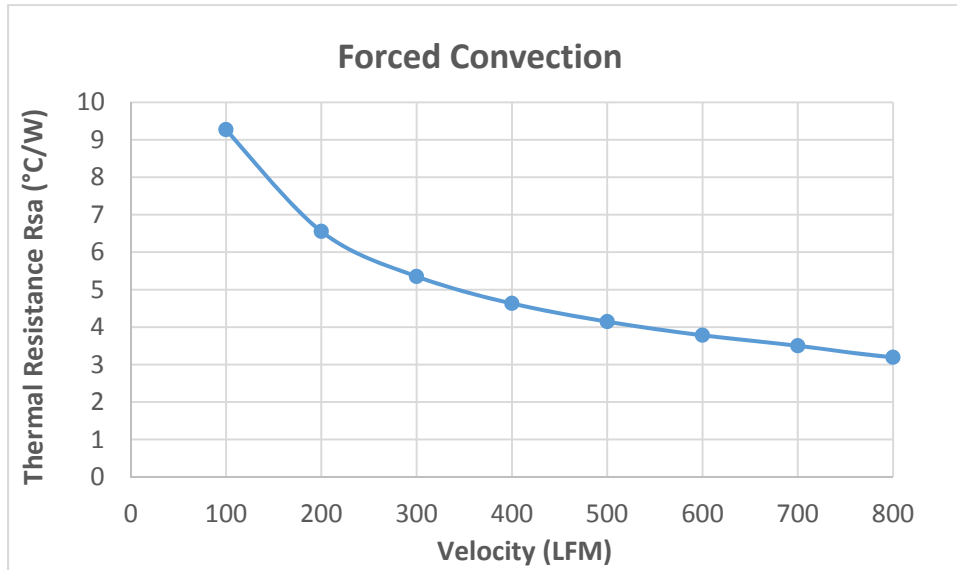
Part Number: M47059B011000G



Part Number: M47079B011000G



Part Number: M47098B011000G



Part Number: M47079B011000G

