



ANATECH ELECTRONICS INC
RF & Microwave Filters & Products

3000 MHz Ceramic Bandpass Filter

Part Number: AM3000B1056



Electrical specifications

Center Frequency: 3000 MHz
Bandwidth: 35 MHz typ.
VSWR: 1.5:1
Input / Output Impedance: 50 Ohms
Passband: 2982.5-3017.5 MHz
Passband Insertion Loss: 3.0 dB max
Passband Ripple: 1.0 dB max
Rejection: 40 dB min at DC-2865 MHz
Rejection 2: 30 dB min at 3135-6800 MHz
Power Handling: 1 W

Mechanical

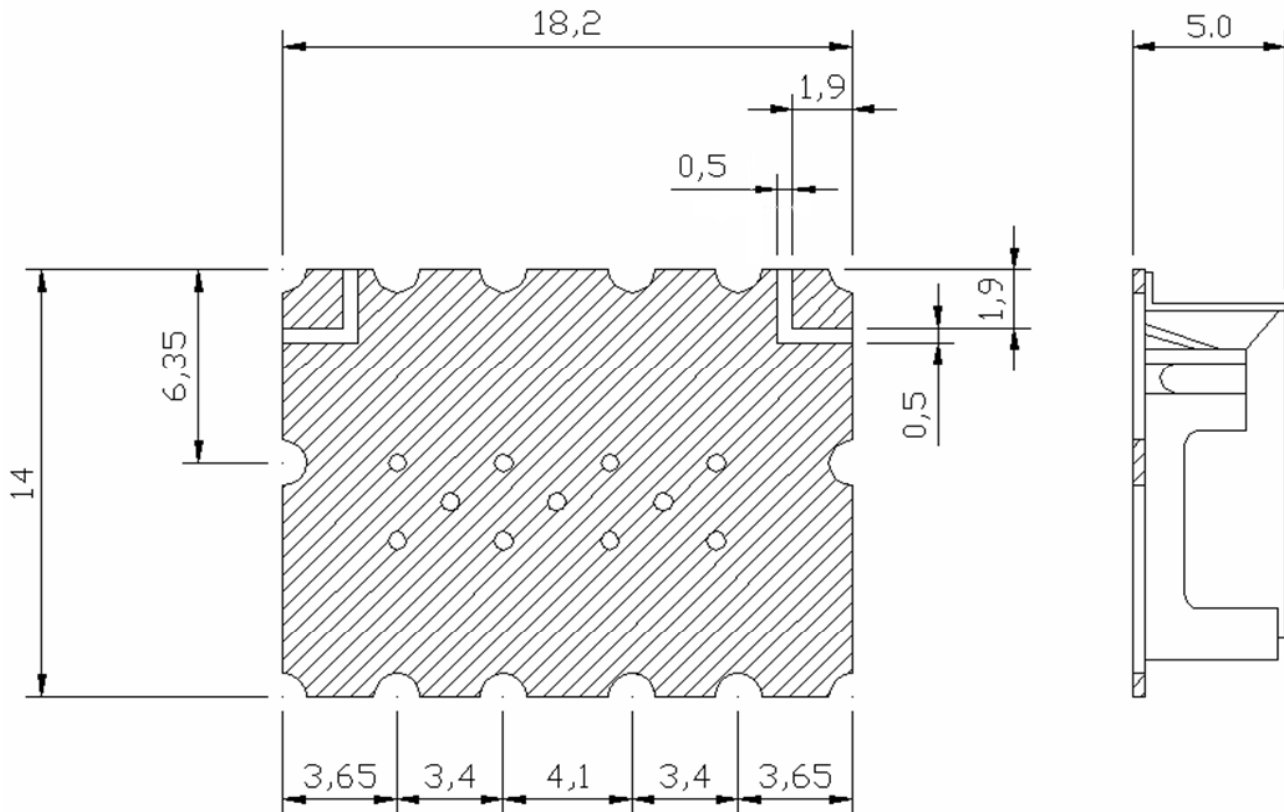
Mounting Method: SMT
Dimensions: 18.2 x 14 x 5 mm

Environmental

Operating Temperature: -20°C to 70°C
Storage Temperature: -50°C to +90°C

This product is RoHS compliant.

Outline Drawing:



Unit : mm

Tolerance : ± 0.3