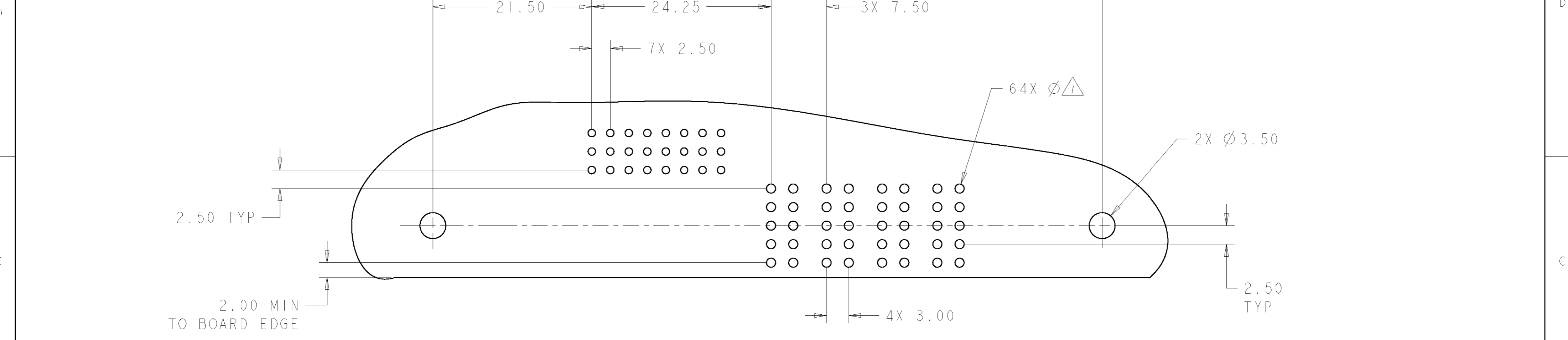




THIS DRAWING IS UNPUBLISHED. RELEASED FOR PUBLICATION 20  
 © COPYRIGHT 20 BY TYCO ELECTRONICS CORPORATION. ALL RIGHTS RESERVED.

LOC	DIST	REVISIONS					
GP	00	P	LTR	DESCRIPTION	DATE	DWN	APVD
		-		SEE SHEET 1	-	-	-



PRINTED CIRCUIT LAYOUT  
 COMPONENT SIDE

CONNECTOR	CATALOG MODULE #	QTY	SIZE NO.	CONTACT QTY	MATING PIN	MAX. CURRENT (PER CONTACT)	CONTACT SPACING	VOLTAGE RATING
SOCKET	FP303	1	22	24	.64 [.025] SQ.	3 amps	2.50 [.0984]	125
	FPI05	2	8	2	1.25 X 7.00 [.049 X .276]	35 amps	7.50 [.2953]	250
	FPI06	2	8	2	1.25 X 7.00 [.049 X .276]	35 amps	7.50 [.2953]	250
	FP506	2	RIGHT ANGLE GUIDE SOCKET					
	FP500	1	LEFT MOUNTING FLANGE					
	FP501	1	RIGHT MOUNTING FLANGE					

THIS DRAWING IS A CONTROLLED DOCUMENT FOR TYCO ELECTRONICS CORPORATION. IT IS SUBJECT TO CHANGE AND THE CONTROLLING ENGINEERING ORGANIZATION SHOULD BE CONTACTED FOR THE LATEST REVISION.

DWN R. GRZYBOWSKI 20 JUL 2007	Tyco Electronics Harrisburg, PA 17105-3608
CHK P. DAMATO 20 JUL 2007	
APVD S. FLICKINGER 20 JUL 2007	
NAME SOCKET CONNECTOR, RIGHT ANGLE SOLDER TAILS FLATPAQ	
DIMENSIONS: mm	TOLERANCES UNLESS OTHERWISE SPECIFIED: 0 PLC ±.5 [.02] 1 PLC ±.25 [.010] 2 PLC ±.25 [.010] 3 PLC ±. 4 PLC ±. ANGLES ±1
MATERIAL	FINISH
SIZE: A200779 CAGE CODE: 6646744 DRAWING NO: 6646744 RESTRICTED TO: -	
CUSTOMER DRAWING SCALE: 3:1 SHEET 2 OF 3 REV A	

**ELCON** **FLATPAQ**

4

3

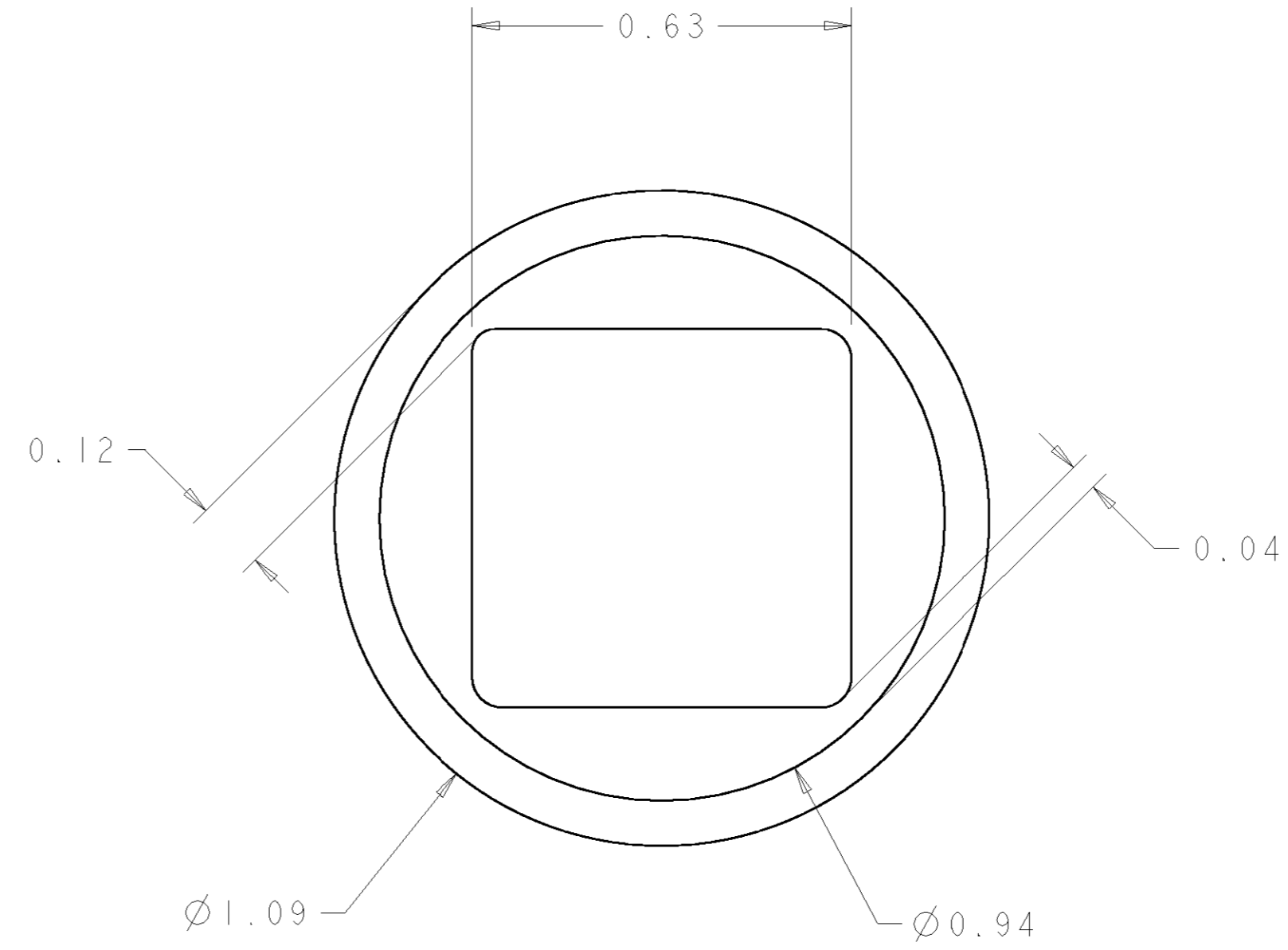
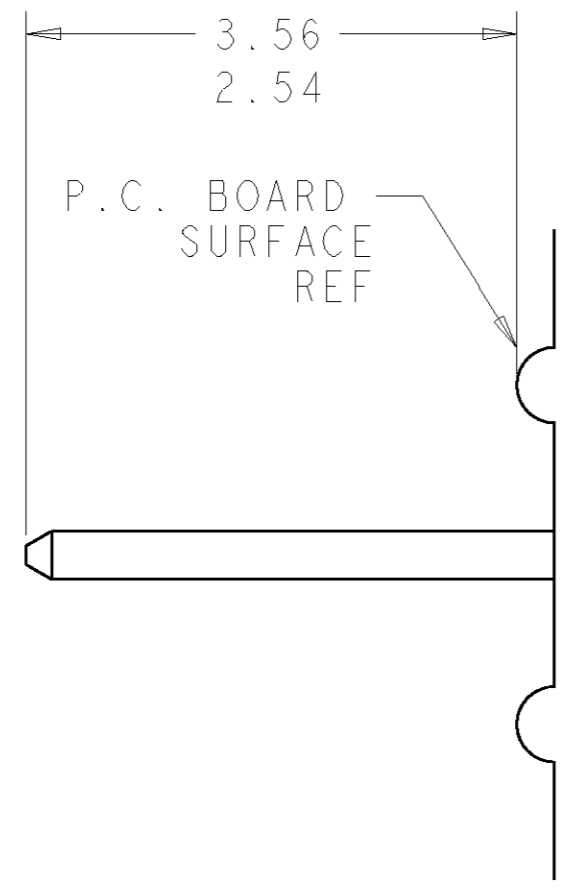
2

1

THIS DRAWING IS UNPUBLISHED.      RELEASED FOR PUBLICATION      20

© COPYRIGHT 20      BY TYCO ELECTRONICS CORPORATION. ALL RIGHTS RESERVED.

LOC	DIST	REVISIONS					
GP	00	P	LTR	DESCRIPTION	DATE	DWN	APVD
		-		SEE SHEET 1	-	-	-



6. SOLDER PIN DETAIL  
SCALE 10 : 1

**7 SOLDER TERMINATION AREA**  
SCALE 40:1  
RECOMMENDED PRINTED CIRCUIT HOLE  
FINISHED HOLE: Ø1.02 [.040]±.08 [.003]  
DRILLED HOLE: Ø1.15 [.0453] ±.013 [.0005]  
COPPER PLATE: .025 [.0010] MIN (PER SURFACE)  
TIN PLATE: .008 [.0003] MIN. (PER SURFACE)

**ELCON** **FLATPAQ**

AMP 1471-9 REV 31MAR2000

<small>THIS DRAWING IS A CONTROLLED DOCUMENT FOR TYCO ELECTRONICS CORPORATION IT IS SUBJECT TO CHANGE AND THE CONTROLLING ENGINEERING ORGANIZATION SHOULD BE CONTACTED FOR THE LATEST REVISION.</small>		DWN R. GRZYBOWSKI 20JUL2007 CHK P. DAMATO 20JUL2007 APVD S. FLICKINGER 20JUL2007	Tyco Electronics Harrisburg, PA 17105-3608
DIMENSIONS: mm 	TOLERANCES UNLESS OTHERWISE SPECIFIED: 0 PLC ±- 1 PLC ±.5 [.02] 2 PLC ±.25 [.010] 3 PLC ±- 4 PLC ±- ANGLES ±1 FINISH	NAME PRODUCT SPEC APPLICATION SPEC WEIGHT CUSTOMER DRAWING	SOCKET CONNECTOR, RIGHT ANGLE SOLDER TAILS FLATPAQ SIZE A2 CAGE CODE 00779 DRAWING NO. C-6646744 RESTRICTED TO - SCALE 3:1 SHEET 3 OF 3 REV A