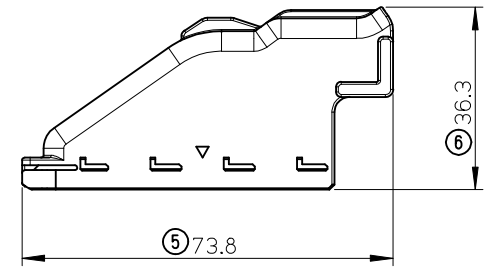
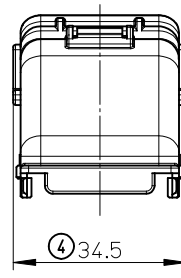
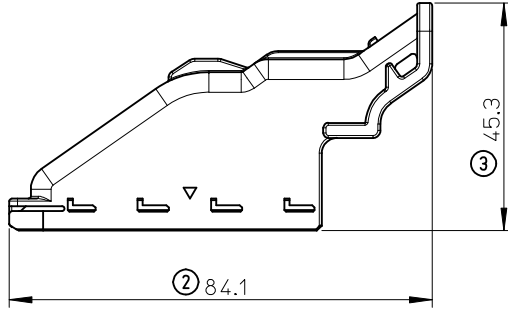
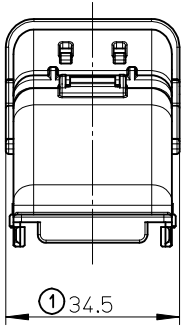
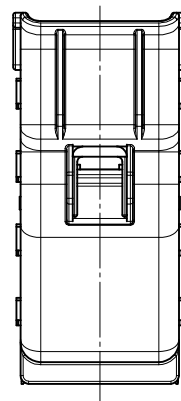
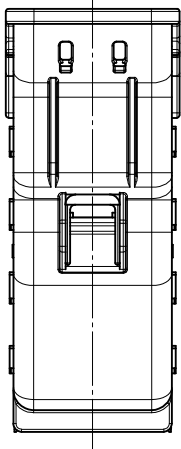


10 9 8 7 6 5 4 3 2 1



LONG TYPE  
560191-0111

SHORT TYPE  
560191-0101

- NOTE
- GENERAL TOLERANCES  
 $<10: \pm 0.3$   
 $10 \leq <30: \pm 0.4$   
 $30 \leq : \pm 0.5$   
 ANGULAR :  $\pm 5^\circ$
  - APPLICABLE CONNECTOR  
560155 SERIES
  - MATERIAL: PA, UNFILLED
  - COLOR: BLACK
  - ELV & RoHS COMPLIANT

PROPOSED EC NO: JTR2016-0003 DRWN:SHSHIBATA 2014/08/19 CH'KD:HKOMATSU 2014/08/19 APPR:MAYAMAMOTO 2015/11/12	QUALITY SYMBOLS	GENERAL TOLERANCES (UNLESS SPECIFIED)		DIMENSION STYLE	SCALE	DESIGN UNITS	THIRD ANGLE PROJECTION	
	$F_A=0$	4 PLACES	mm	MM ONLY	1:1	METRIC	TITLE	
	$F_B=0$	3 PLACES	INCH				WIRE DRESS COVER FOR COMPACTUS	
	$F_C=0$	2 PLACES					molex	
	1 PLACE						DOCUMENT NO.	SHEET NO.
	0 PLACE						SD-560191-001	1 OF 1
	ANGULAR $\pm 1^\circ$		DRAFT WHERE APPLICABLE MUST REMAIN WITHIN DIMENSIONS		MATERIAL NO. ---		THIS DRAWING CONTAINS INFORMATION THAT IS PROPRIETARY TO MOLEX INCORPORATED AND SHOULD NOT BE USED WITHOUT WRITTEN PERMISSION	

9 8 7 6 5 4 3 2 1