

**Ratings**  
 Temperature: -25~80°C  
 Flammability: FT2

**Twisted Pair (1PR)**

Voltage: 30 V  
 Gauge: 24 AWG 0.2 mm<sup>2</sup>  
 Color: green/white  
 Conductor: tinned copper strands,  $\phi 0.1 \times 26$   
 Conductor resistance at 20 °C: 94.2  $\Omega$  /km max  
 Insulation  
 Material: foamed PE  
 Diameter:  $\phi 1.2 \pm 0.1$   
 Thickness: 0.3 mm nominal  
 Resistance at 20 °C: 10 M $\Omega$  /km min  
 Twisted pair characteristic impedance: 100  $\Omega$

**Power Wire (2C)**

Voltage: 300 V  
 Gauge: 20 AWG 0.52 mm<sup>2</sup>  
 Color: red (power), black (ground)  
 Conductor: tinned copper strands,  $\phi 0.127 \times 41$   
 Conductor resistance at 20 °C: 36.7  $\Omega$  /km max  
 Insulation  
 Material: SR-PVC, 90A  
 Diameter:  $\phi 1.55 \pm 0.1$   
 Thickness: 0.3 mm nominal  
 Resistance at 20 °C: 10 M $\Omega$  /km min

**Power marking:** E339579 UL AWM STYLE 1061 80°C 300V --- cUL AWM I A 80°C 300V FT2 TENSILITY

**Shield**

Type: aluminium mylar + tinned copper braid  
 Stranding:  $\phi 0.1$   
 Coverage: 65% min braid, 100% foil

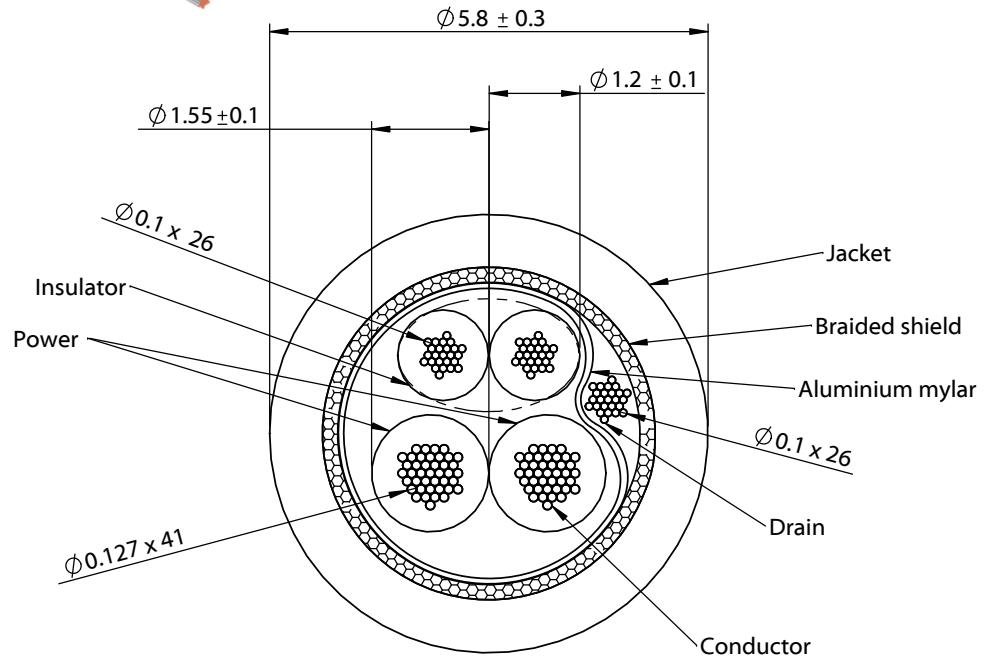
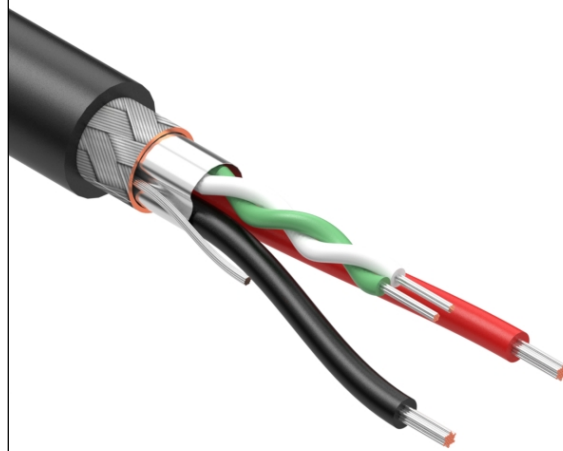
**Drain**

Stranding:  $\phi 0.1 \times 26$   
 Material: tinned copper strands

**Outer jacket**

Material: PVC, 79A  
 Color: black  
 Style: round  
 Diameter:  $\phi 5.8 \pm 0.3$   
 Nominal thickness: 0.8 mm

**Jacket marking:** E339579 UL AWM STYLE 2725  
 24AWG/1P+20AWG/2C 80°C 30V --- cUL I/II A 80°C 30V FT2  
 TENSILITY



Revision:	Date:	Description:
A	2/28/22	Initial release

Prepared:	Notes:
	RoHS compliant
Verified:	Function test: no open, no short circuit, no intermittent
Dimensions are in millimeters. Tolerances: X: ± 0.5 mm X.X: ± 0.3 mm X.XX: ± 0.05 mm	Description: Wire, 1PR TS 24 AWG, 2C TS 20 AWG, UL2725, 30V, 80C, 5.8 mm, shielded, FT2, PVC

**TENSILITY**

tel 1.541.323.3228 800 877.670.7118  
 fax 1.541.323.4202 web tensility.com

Size:	Part number:
A	30-02483
Scale: 10:1	Sheet 1 of 1