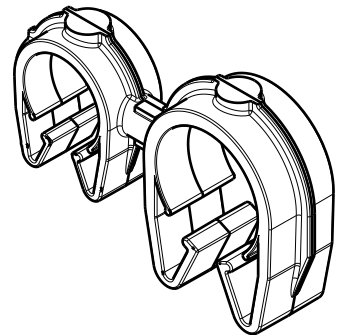
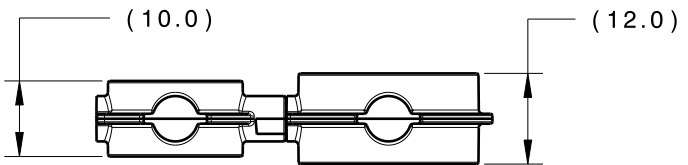
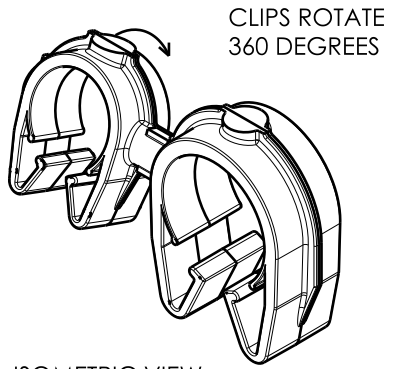
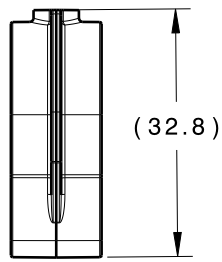
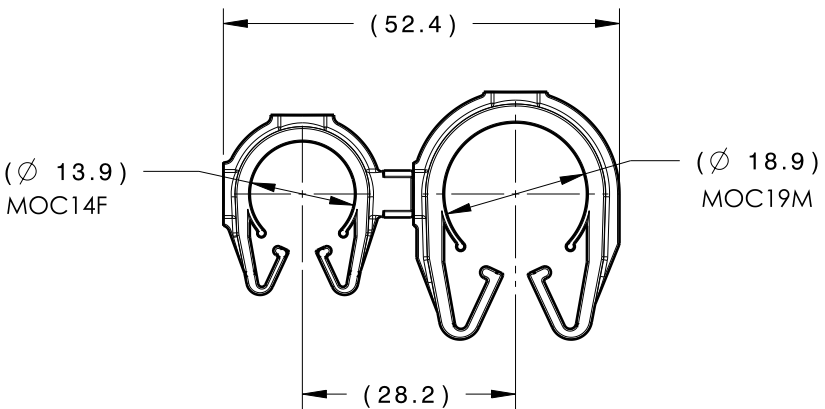


Revision Level			Revision Record	Changed	Date	Approved	Date
Drawing	State	Part					
01.2	DESIGN RELEASE		SEE ECN# 014444	TAT	04/26/18	EJH	04/26/18



ISOMETRIC VIEW

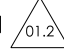


ISOMETRIC VIEW ROTATED

TYPE	MOC14F	MOC19M
HARNESS	13.0MM-15.0MM	17.0MM-20.0MM
HOSE	13.0MM-15.0MM	17.0MM-21.5MM
HARD PIPE/TUBE	14.0MM-15.8MM	19.0MM-21.8MM

*RECOMMENDED SIZES MAY DIFFER DEPENDING ON THE APPLICATION, PRODUCT REQUIREMENTS AND MATERIALS USED

Patent Pending 29/582,271

GLOBAL PART DESCRIPTION 	MOC14F**			MOC19M**		
	DRAWING	MATERIAL	COLOR	DRAWING	MATERIAL	COLOR
MOC14FMOC19M-PA66HIRHSUV-BK	16-0320-000-CSU	PA66HIRHSUV	BLACK	16-0322-000-CSU	PA66HIRHSUV	BLACK

Material SEE CHART COLOR: SEE CHART	Units millimeters	The copyright of this drawing is reserved by HellermannTyton. It is issued on condition that it is not reproduced, copied or disclosed to a third party, either wholly or in part, without the consent of HellermannTyton.	Drawn	TAT	2/22/17	Article/Type-No MOC14FMOC19M	Scale	1:1		
	Tolerance defined on each dimension		Approved	JMC	04/26/2018		Title  14MM MOC COUPLED TO A 19MM MOC	Project Number	16-0326	
			HellermannTyton			Drawing-No		PRODUCTION : Phase	Format	AH
						North America Email: corp@htamericas.com Web: www.hellermann.tyton.com			16-0326-464-CSU 	Sheet