

13	12	11	10	9	8	7	6	5	4	3	2	1
PART NUMBER		ENGINEERING NUMBER		FINISH LENGTH								
1300660262		CR4D06A308M005		1.64' [0.5M]								

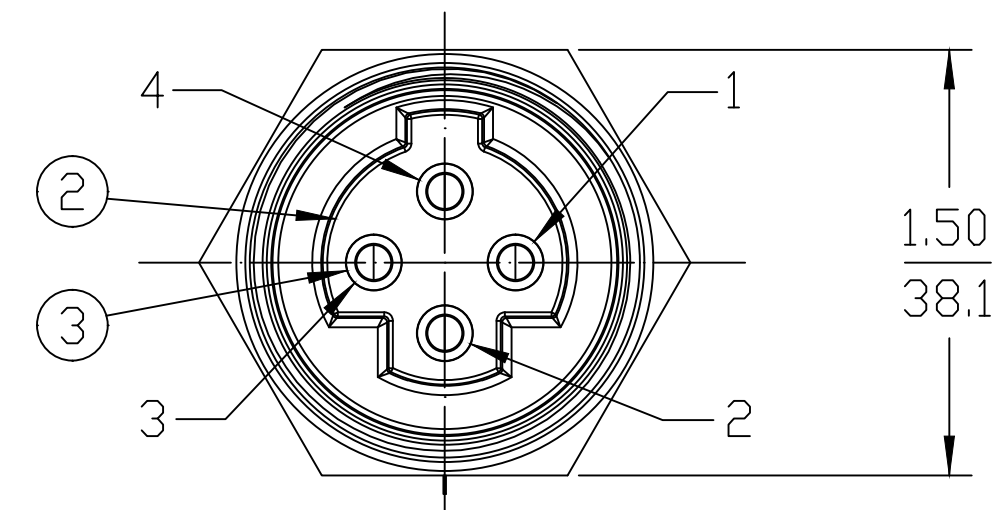
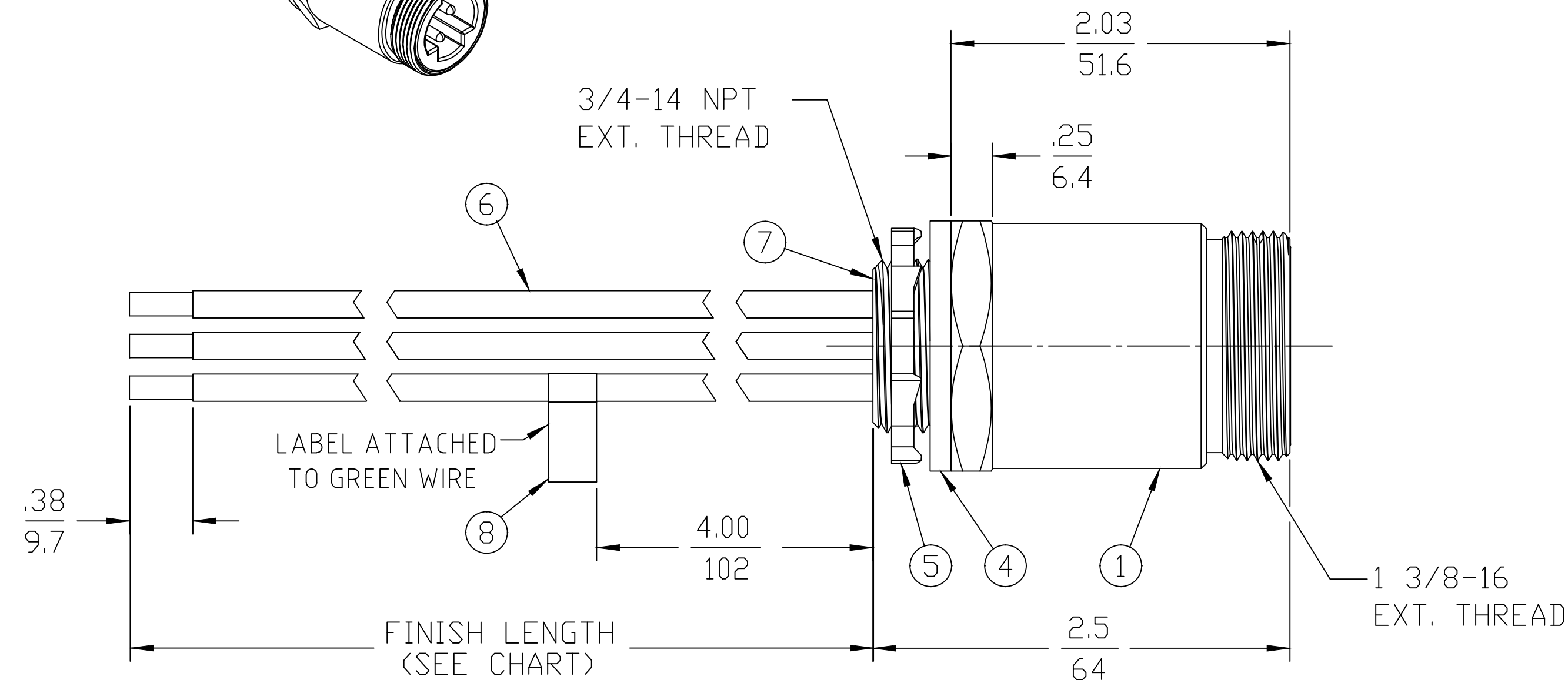
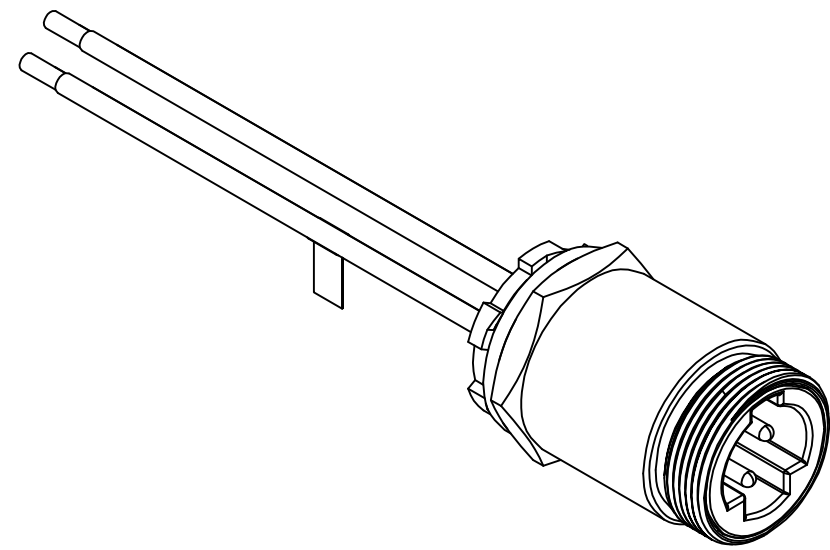
**PART NUMBER LEGEND**

**CR4D06A308M005**

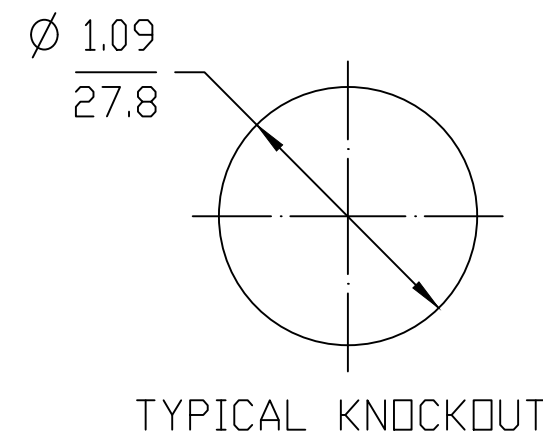
**LENGTH**  
M005 = 0.5 METER  
M010 = 1 METER  
M100 = 10 METER

**CABLE LENGTH TOLERANCES**

>.3M [1FT]:	+19mm-0 [+ .75in-0]
.3 - .9M [1 - 3FT]:	+44.5mm-0 [+1.75in-0]
.9 - 1.8M [3 - 6FT]:	+55.6mm-0 [+2.19in-0]
1.8 - 3.7M [6 - 12FT]:	+88.9mm-0 [+3.50in-0]
3.7 - 7.3M [12 - 24FT]:	+165.1mm-0 [+6.50in-0]
7.3-14.6M [24 - 48FT]:	+317.5mm-0 [+12.50in-0]
14.6 - 30.5M [48-100FT]:	+622.3mm-0 [+24.50in-0]
OVER 30M [100FT]	+2% OF FINISHED LENGTH



- NOTES:**
1. MATERIAL: AS NOTED
  2. FINISH: AS NOTED
  3. ELECTRICAL:  
VOLTAGE: 4P: 500V PER IEC60664  
600V PER UL2237  
CURRENT: 32A
  4. TEMP RATING: -20°TO +90°C
  5. PROTECTION: IP67 (WHEN MATED)
  6. UL LISTED FILE: E258922
  7. PACKAGING: PART IS PACKED IN POLY BAG.
  8. FLAG LABEL LOCATED ON GREEN WIRE.
  9. MATES WITH: QC 4 POLE FEMALE CABLE ASSEMBLY, ALT. KEY.
  10. ALL DIMS ARE FOR REFERENCE UNLESS NOTED OTHERWISE



BLACK	1
GREEN	2
RED	3
WHITE	4

WIRING DIAGRAM

8	1	FLAG LABEL	VINYL	YELLOW
7	A/R	POTTING	EPOXY	BLACK
6	4	WIRE, 10 AWG UL 1015	PVC JACKET	SEE WIRING DIAGRAM
5	1	LOCKNUT	STEEL	ZINC PLATED
4	1	GASKET	NEOPRENE	BLACK
3	4	PIN CONTACT	COPPER ALLOY	GOLD PLATED
2	1	MALE INSERT, 4 POLE	PVC	BLACK
1	1	RECEPTACLE SHELL	ST. STEEL	PASSIVATED
ITEM	QTY.	DESCRIPTION	MATERIAL	FINISH

UL 1015 WAS THHN EC NO: ICG2019-0166 DRWN: JCAPPOZZ 2018/10/24 CHKD: --- APPR: BWOODMAN2018/11/16	QUALITY SYMBOL	DESCRIPTION
	▽=0 ▽C=0	
B	REV	

GENERAL TOLERANCES (UNLESS SPECIFIED)	DIMENSION STYLE IN/MM	
	mm	INCH
4 PLACES	±---	±---
3 PLACES	±---	±---
2 PLACES	±---	±---
1 PLACE	±---	±---
ANGULAR ±.5°		
DRAFT WHERE APPLICABLE MUST REMAIN WITHIN DIMENSIONS		

DRAWN BY	DATE	TITLE
JCAPPOZZ	2018/10/24	BRAD POWER MALE, 3/4" NPT, 4 POLE, DC RECEPTACLE ASSEMBLY
CHECKED BY	DATE	
---	---	
APPROVED BY	DATE	
BWOODMAN	2018/11/16	
MATERIAL NO.	DOCUMENT NO.	SHEET NO.
SEE P/N CHART	SD-130066-065	1 OF 1
SIZE C	THIS DRAWING CONTAINS INFORMATION THAT IS PROPRIETARY TO MOLEX INCORPORATED AND SHOULD NOT BE USED WITHOUT WRITTEN PERMISSION	

SCALE 4:1	DESIGN UNITS INCH	THIRD ANGLE PROJECTION
MOLEX INCORPORATED		
SD-130066-065		

REF. THIS DRAWING SUPERSEDES COCREATE REV. A