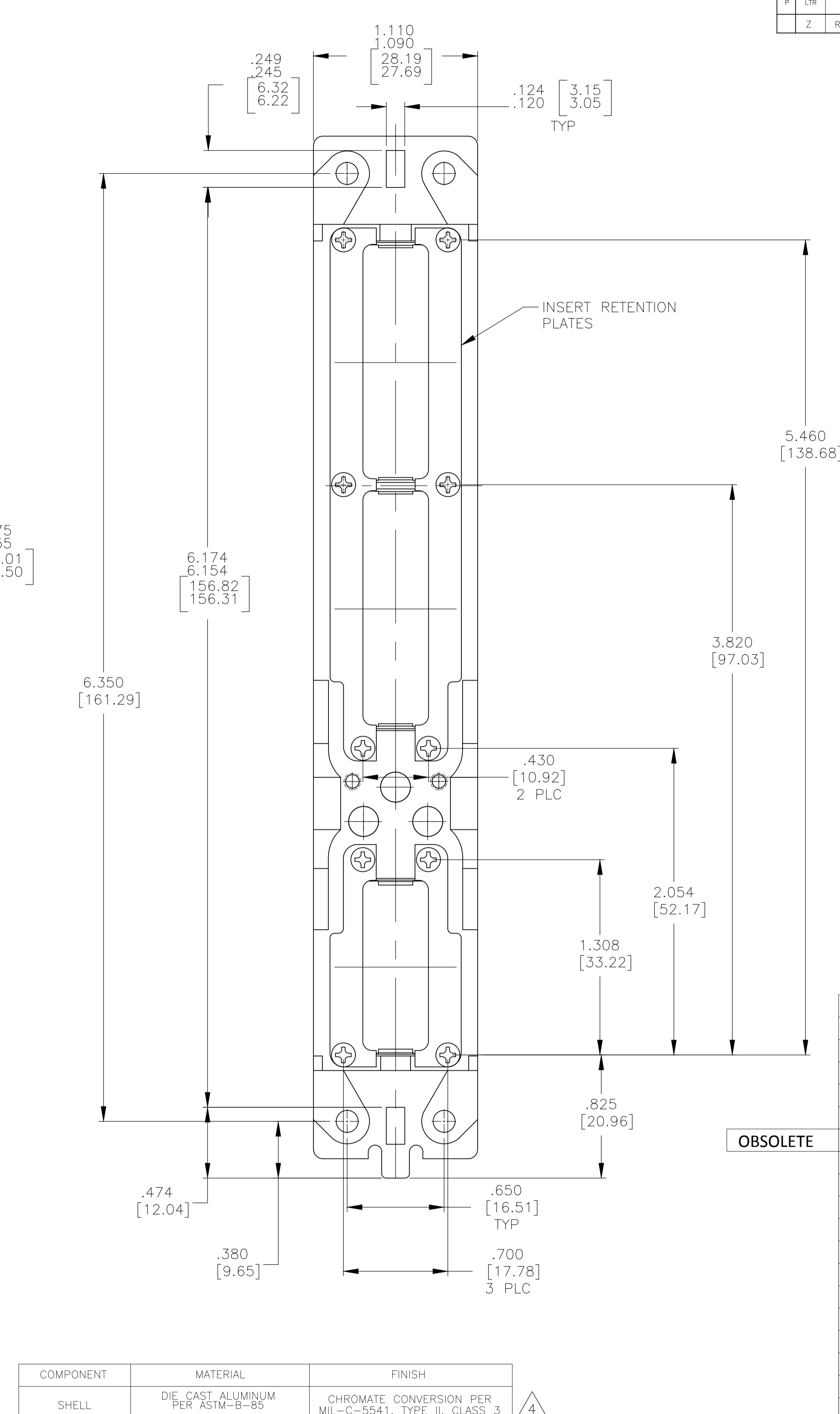
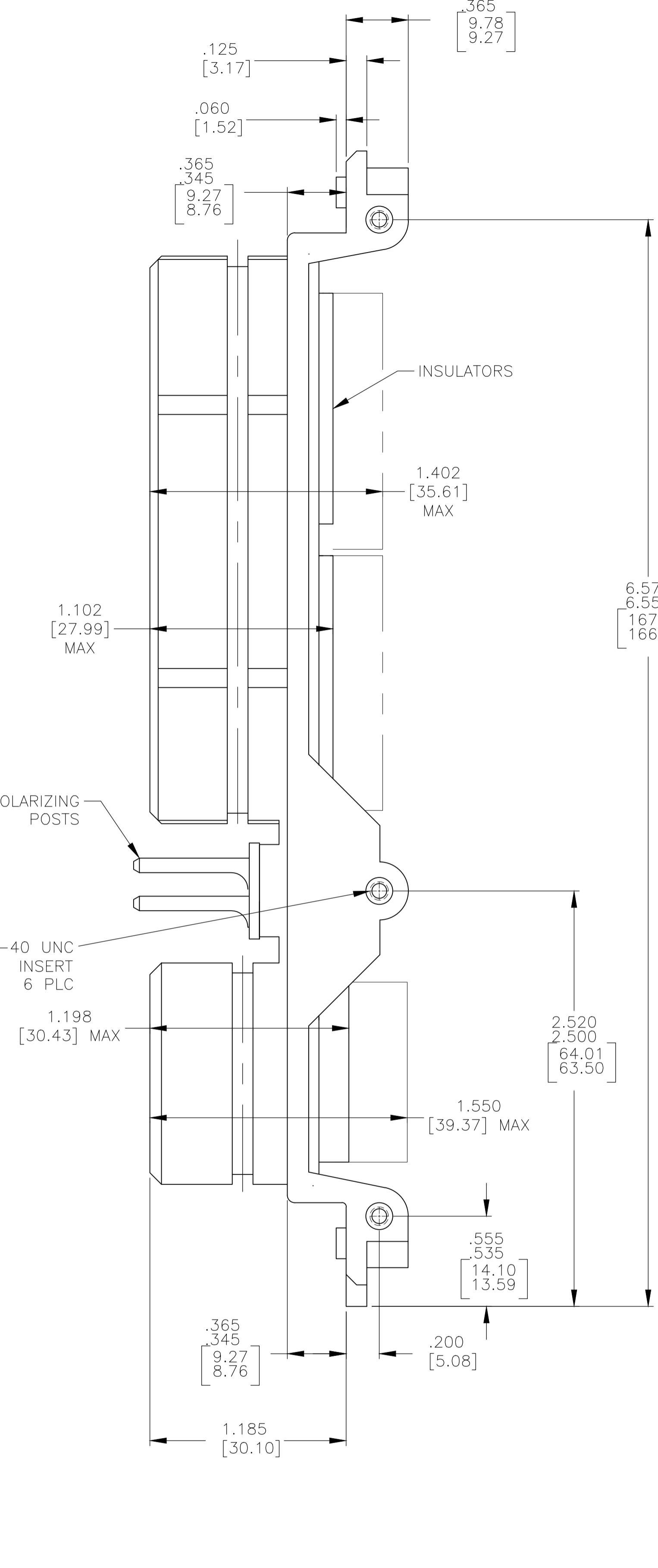
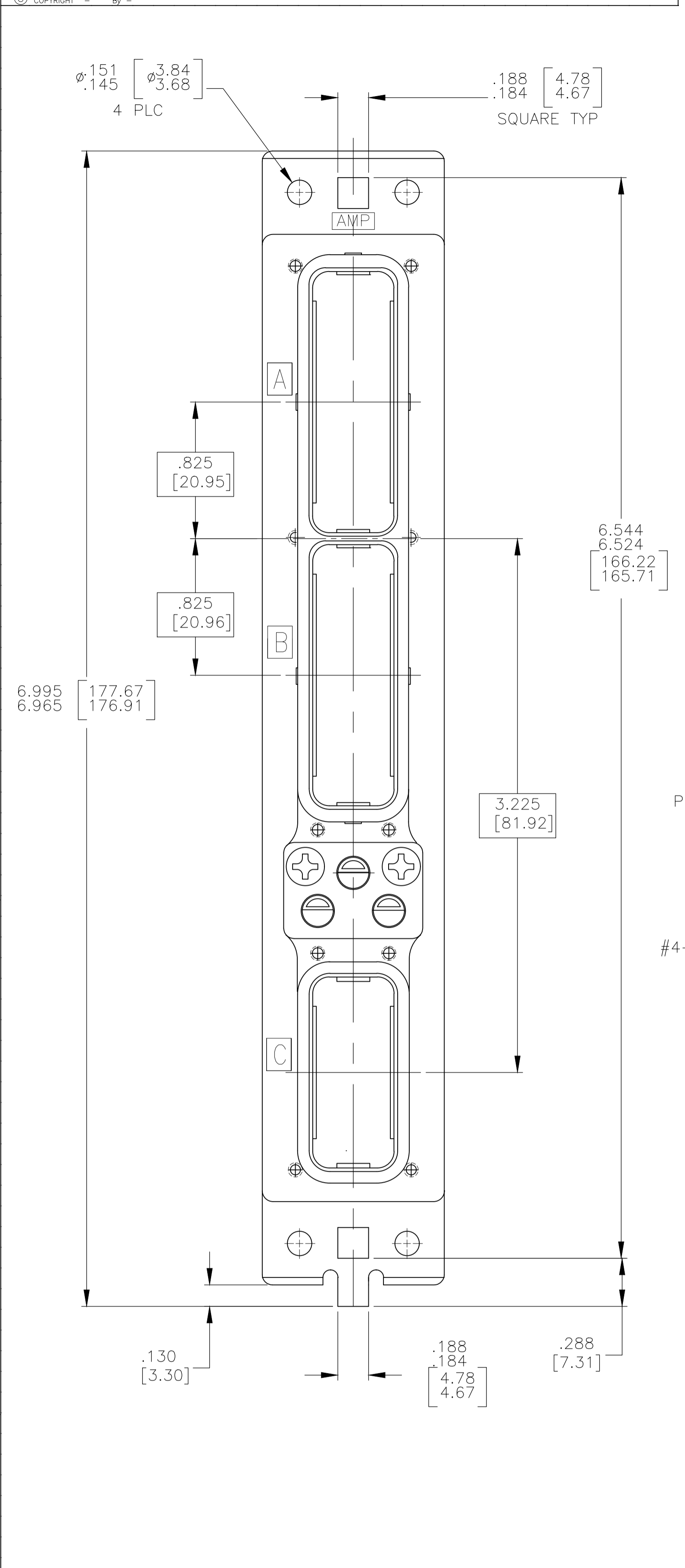


REVISIONS				
P	LTR	DESCRIPTION	DATE	APPD
Z		REVISED PER ECO-17-018523	19JAN2018	PHM CT



- CONNECTOR DIMENSIONS ARE PER ARINC 600 SPECIFICATION
 - KEYING SHOWN IN POSITION "01" FOR REFERENCE ONLY. CONNECTOR SHIPPED WITH KEYING PER ORDERING INSTRUCTIONS. FOR POSITION "00" KEYING SHIPPED UNASSEMBLED.
 - FOR SHIPMENT CONTACTS (IF ORDERED) ARE INCLUDED IN A CONTAINER WITHIN THE CONNECTOR PACKAGE. COAX CONTACTS ARE NOT SUPPLIED AND MUST BE ORDERED SEPARATELY.
- 4 FINISH FOR SHELL AND RETENTION PLATES IS ELECTROLESS NICKEL PER MIL-C-26074, CLASS 3 OR 4, GRADE B. (2-208597-0 ONLY)

NIC66FN11A69AA0	2-208597-0
NIC66F14A03AA0	1-208597-9
NIC66F11A00CB1	1-208597-8
NIC66F11A02AA0	1-208597-7
NIC66F11A10AA1	1-208597-6
NIC66F11A08CBO	1-208597-5
NIC66F12A02CBO	1-208597-4
NIC66F11A06CB1	1-208597-3
NIC66F11A08AA1	1-208597-2
-	1-208597-1
NIC66F14A01AA0	1-208597-0
NIC66F11A03CB1	208597-9
NIC66F12A02AA0	208597-8
NIC66F11A00AA0	208597-7
NIC66F11A13AA1	208597-6
NIC66F11A13AA0	208597-5
NIC66F11A03AA0	208597-4
-	208597-3
NIC66F11A01AA1	208597-2
NIC66F11A01AA0	208597-1

OBSELETE

DESCRIPTIVE NUMBER	PART NUMBER

COMPONENT	MATERIAL	FINISH
SHELL	DIE CAST ALUMINUM PER ASTM-B-85	CHROMATE CONVERSION PER MIL-C-5541, TYPE II, CLASS 3
RETENTION PLATES	ALUMINUM ALLOY PER ASTM-B-209	CHROMATE CONVERSION PER MIL-C-5541, TYPE II, CLASS 3
SCREWS	STEEL OR STAINLESS STEEL	STAINLESS STEEL OR PASSIVATED
POLARIZING POSTS	ZINC ALLOY PER ASTM-B-86	ELECTROLESS NICKEL PER MIL-C-26074, CLASS 4, GRADE B
INSERTS	THERMOSET	-
FILLER PLUG (IF ORDERED)	TEFLON	-
POLARIZING POST RETAINING PLATE	ALUMINUM ALLOY PER ASTM-B-209	BLUE ANODIZED PER MIL-A-8625

THIS DRAWING IS A CONTROLLED DOCUMENT.

DIMENSIONS: INCHES

TOLERANCES UNLESS OTHERWISE SPECIFIED:

0 PLC	± .005
1 PLC	± .005
2 PLC	± .005
3 PLC	± .005
4 PLC	± .005

ANGLES: ± 0°30'

MATERIAL: SEE TABLE

FINISH: SEE TABLE

APPROVED: K. HOGAN

DATE: 12-2-05

APPROVED: K. HOGAN

DATE: 12-2-05

APPLICATION SPEC: -

WEIGHT: -

CUSTOMER DRAWING

SCALE: 2:1

SHEET: 1 OF 1

REV: Z

DIN: C.C. THOMAS

CHK: K. HOGAN

APPROVED: K. HOGAN

DATE: 12-2-05

PRODUCT SPEC: -

APPLICATION SPEC: -

WEIGHT: -

CUSTOMER DRAWING

SCALE: 2:1

SHEET: 1 OF 1

REV: Z

STE TE Connectivity Ltd.

NAME: PLUG ASSY, SIZE 1, CLASS A, ARINC 600

SIZE: A1

CAGE CODE: 00779

DRAWING NO: 208597

RESTRICTED TO: -