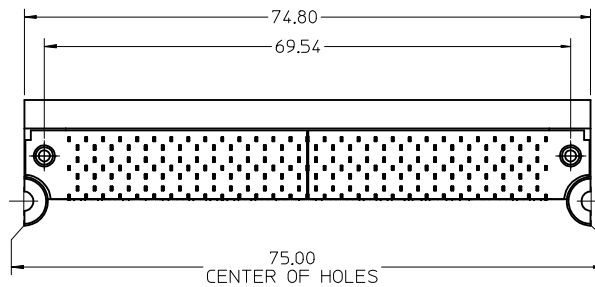


NOTES

- MATERIAL**
CONNECTOR HOUSING: GLASS FILLED LCP, 94 V-0, COLOR BLACK
OVERMOLDING ON TERMINAL: GLASS FILLED LCP, COLOR: BLACK
TERMINALS: COPPER ALLOY, SPRING TEMPER
- TERMINAL FINISH: CONTACT AREA: 0.75µm MIN. HARD GOLD OVER 1.25µm MIN. NICKEL.**
75791-0001 COMPLIANT AREA: 0.75-150µm TIN OVER 0.75-150µm NICKEL
75791-0002 COMPLIANT AREA: 0.75-150µm 90/10 TIN LEAD OVER 0.75-150µm NICKEL
- REFER TO PS-75800-001 PRODUCT SPEC FOR ALL ELECTRICAL, MECHANICAL AND ENVIRONMENTAL SPECIFICATIONS.
- REFER TO PK-75800-203 AND PK-70873-560 FOR ALL PACKAGING SPECIFICATIONS.
- REFER TO AS-75800-001 FOR BOARD APPLICATION INFORMATION.
- DATE CODE AND PART NUMBER TO BE LASER ETCHED OR APPLIED BY A LABEL. INFO TO INCLUDE PART NUMBER, MANUFACTURING FACILITY AND DATE CODE IN THE FORMAT OF WEEK AND LAST TWO DIGITS OF THE YEAR, WWYY.




SECTION Y-Y
TERMINAL TAIL
CROSS SECTION

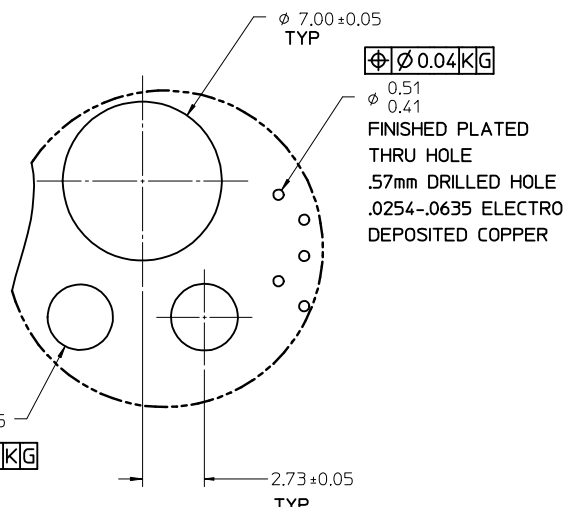
PART NUMBER	COMPLIANT TAIL PLATING
75791-0001	TIN
75791-0002	90/10 TIN LEAD

CORRECT PK SPEC EC NO: UCP2016-3056 DRWNSVANG01 2016/02/02 CHKD:MCAIN 2016/02/02 APPR:DMCGOWAN 2016/02/12	QUALITY SYMBOLS	GENERAL TOLERANCES (UNLESS SPECIFIED)	DIMENSION STYLE	SCALE	DESIGN UNITS	THIRD ANGLE PROJECTION
	▽=0	mm	MM ONLY	2:1	METRIC	
	▽=0	INCH				
	▽=0					

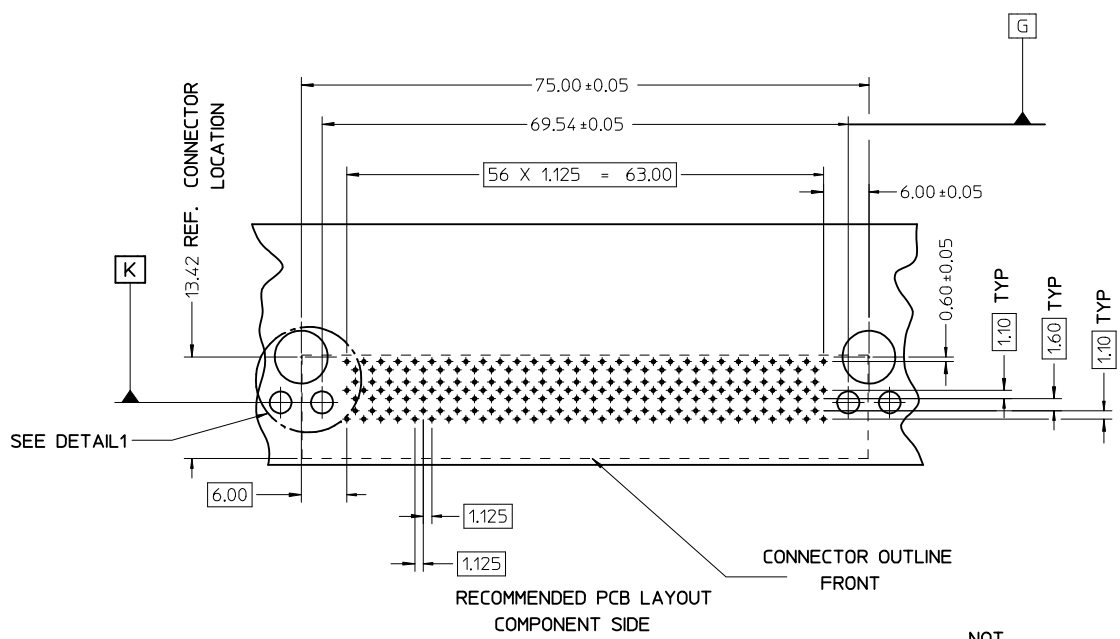
4 PLACES ± --- ± ---	DRAWN BY	DATE	TITLE
3 PLACES ± --- ± .005	SVANG01	2016/02/02	ADVANCED MC B+ TALL STYLE CONNECTOR SALES DRAWING
2 PLACES ± 0.13 ± .010	CHECKED BY	DATE	
1 PLACE ± 0.25 ± ---	MCAIN	2016/02/02	
0 PLACE ± ±	APPROVED BY	DATE	

ANGULAR ±1/2°	MATERIAL NO.	DOCUMENT NO.	SHEET NO.
DRAFT WHERE APPLICABLE MUST REMAIN WITHIN DIMENSIONS	SEE TABLE	SD-75791-001	1 OF 2

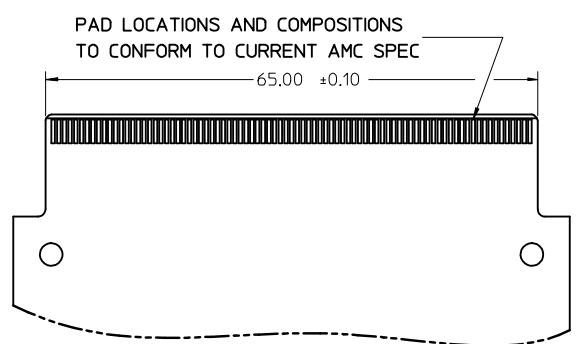
THIS DRAWING CONTAINS INFORMATION THAT IS PROPRIETARY TO MOLEX INCORPORATED AND SHOULD NOT BE USED WITHOUT WRITTEN PERMISSION			
moLEX			



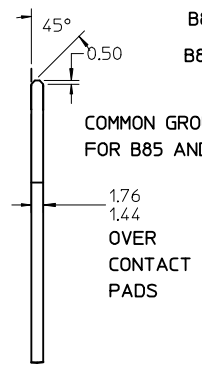
DETAIL1
SCALE 6:1



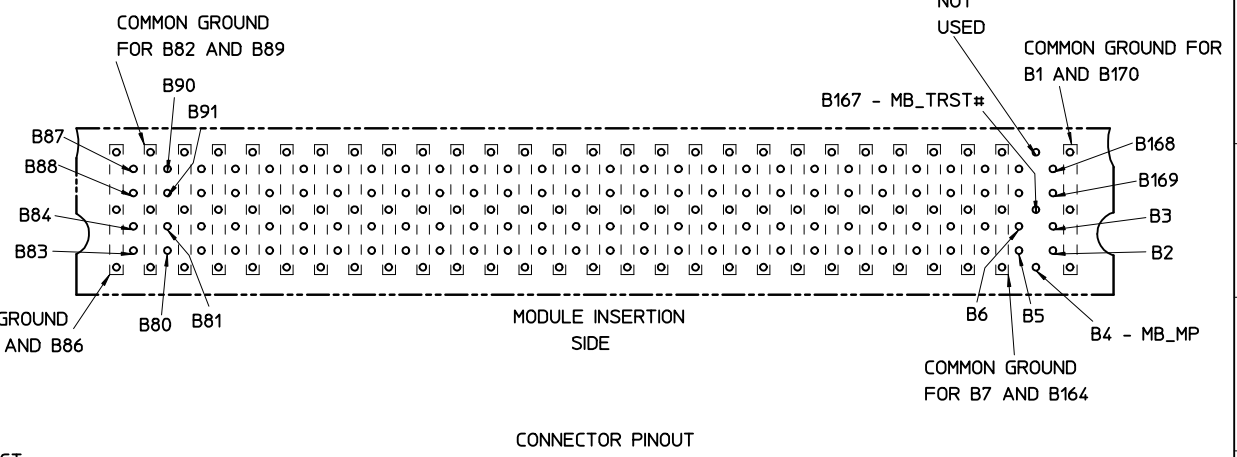
CONNECTOR OUTLINE FRONT
RECOMMENDED PCB LAYOUT
COMPONENT SIDE



PARTIAL1
SCALE 2:1



PARTIAL2
SCALE 2:1



SEE SHEET 1 EC NO: UCP2016-3056 DRWNSVANG01 CHKD:MCAIN APPR:DMCGOWAN	2016/02/02 2016/02/02 2016/02/12	QUALITY SYMBOLS ▽ = 0 ▽ = 0 ▽ = 0	GENERAL TOLERANCES (UNLESS SPECIFIED) <table border="1"> <tr> <th></th> <th>mm</th> <th>INCH</th> </tr> <tr> <td>4 PLACES</td> <td>± .---</td> <td>± .---</td> </tr> <tr> <td>3 PLACES</td> <td>± .---</td> <td>± .005</td> </tr> <tr> <td>2 PLACES</td> <td>± 0.13</td> <td>± .010</td> </tr> <tr> <td>1 PLACE</td> <td>± 0.25</td> <td>± .---</td> </tr> <tr> <td>0 PLACE</td> <td>±</td> <td>±</td> </tr> </table>		mm	INCH	4 PLACES	± .---	± .---	3 PLACES	± .---	± .005	2 PLACES	± 0.13	± .010	1 PLACE	± 0.25	± .---	0 PLACE	±	±	DIMENSION STYLE MM ONLY DRAWN BY DATE SVANG01 2016/02/02 CHECKED BY DATE MCAIN 2016/02/02 APPROVED BY DATE	SCALE 2:1 DESIGN UNITS METRIC THIRD ANGLE PROJECTION	TITLE ADVANCED MC B+ TALL STYLE CONNECTOR SALES DRAWING molex
		mm	INCH																					
	4 PLACES	± .---	± .---																					
	3 PLACES	± .---	± .005																					
	2 PLACES	± 0.13	± .010																					
1 PLACE	± 0.25	± .---																						
0 PLACE	±	±																						
			ANGULAR ±1/2° MATERIAL NO. SEE TABLE	DOCUMENT NO. SD-75791-001	SHEET NO. 2 OF 2																			
			DRAFT WHERE APPLICABLE MUST REMAIN WITHIN DIMENSIONS	THIS DRAWING CONTAINS INFORMATION THAT IS PROPRIETARY TO MOLEX INCORPORATED AND SHOULD NOT BE USED WITHOUT WRITTEN PERMISSION																				