

MATERIALS AND FINISHES:

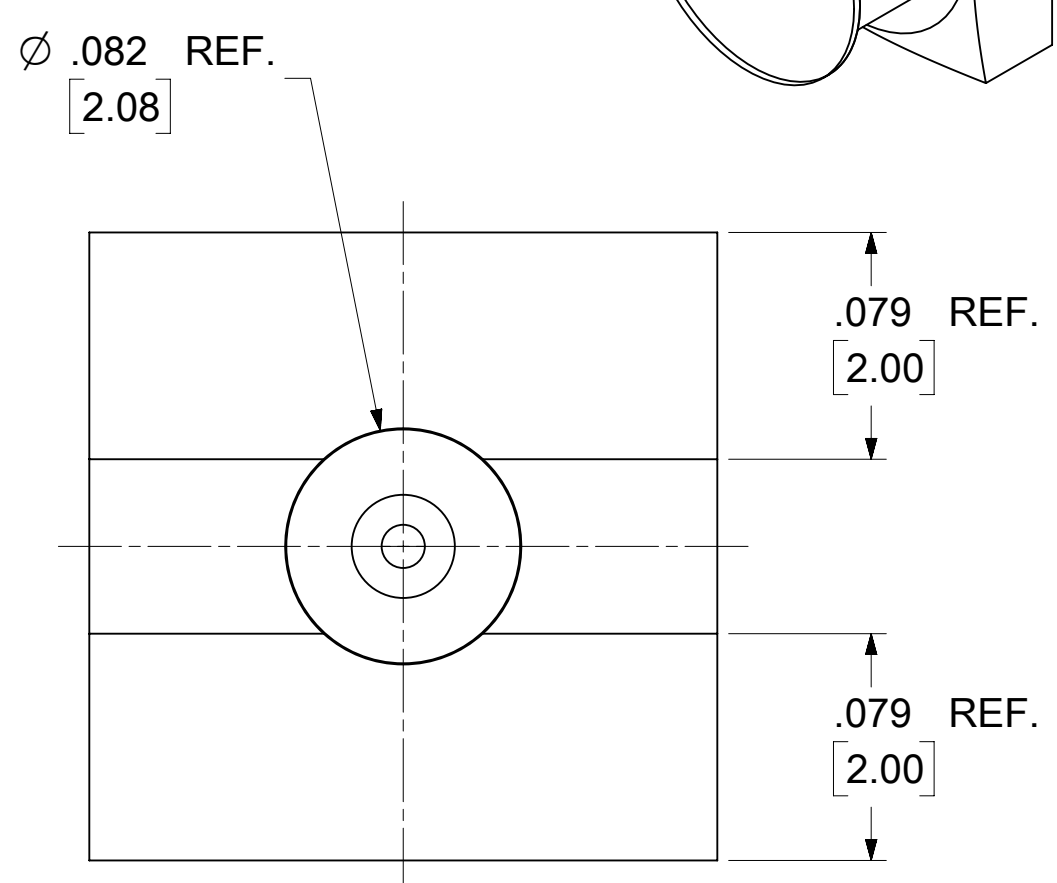
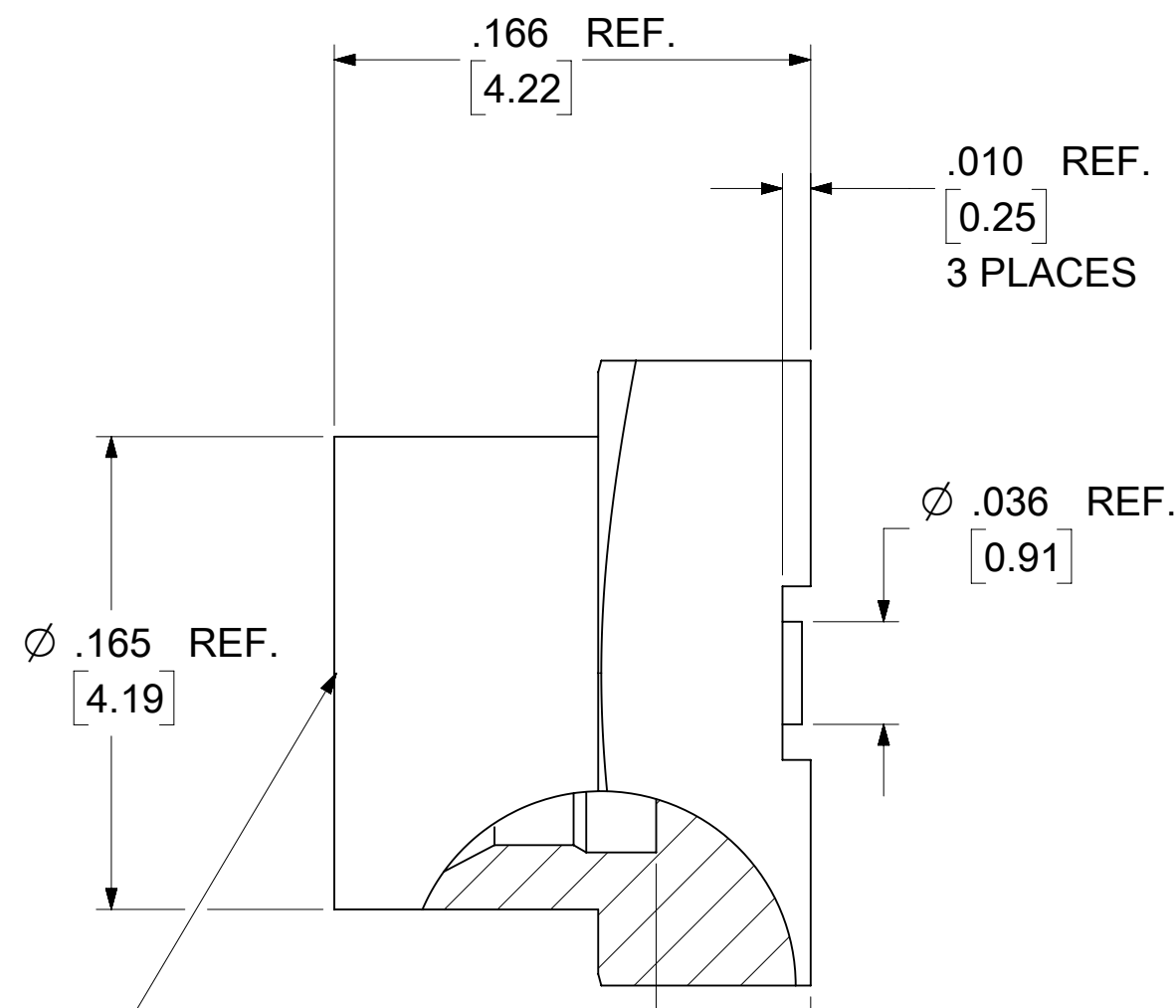
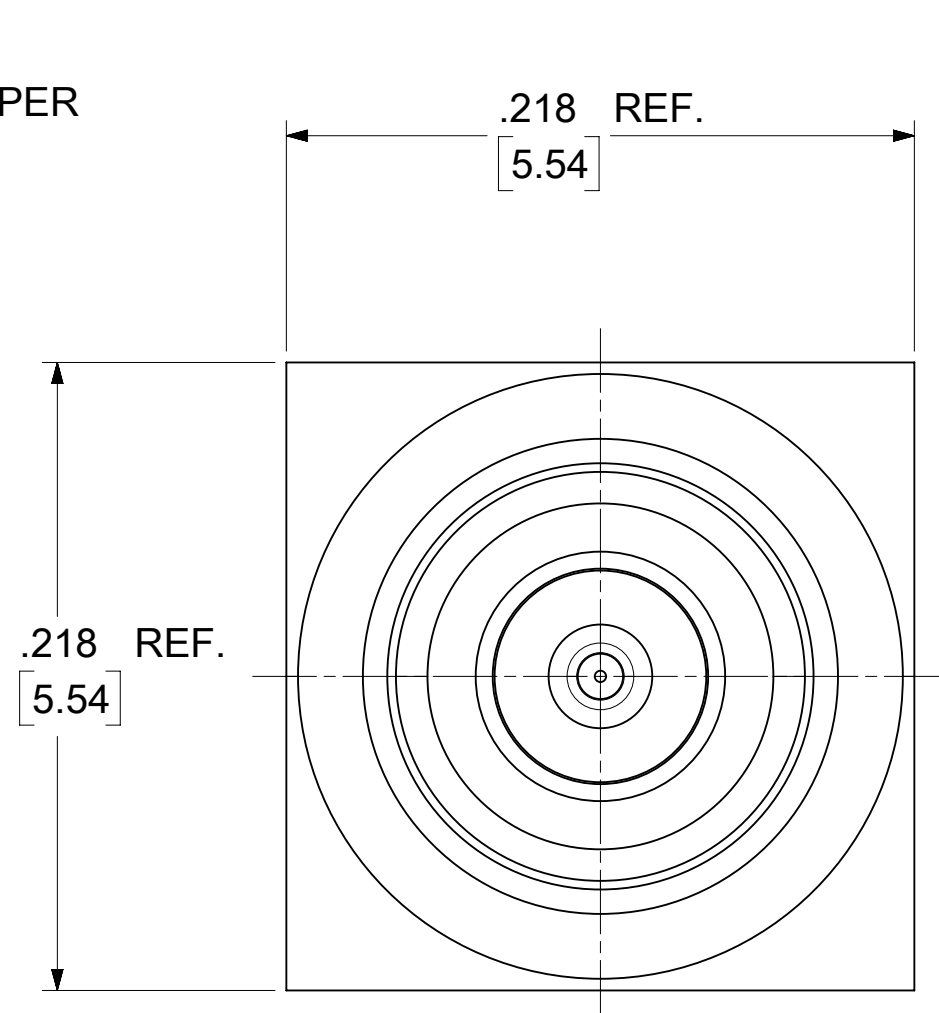
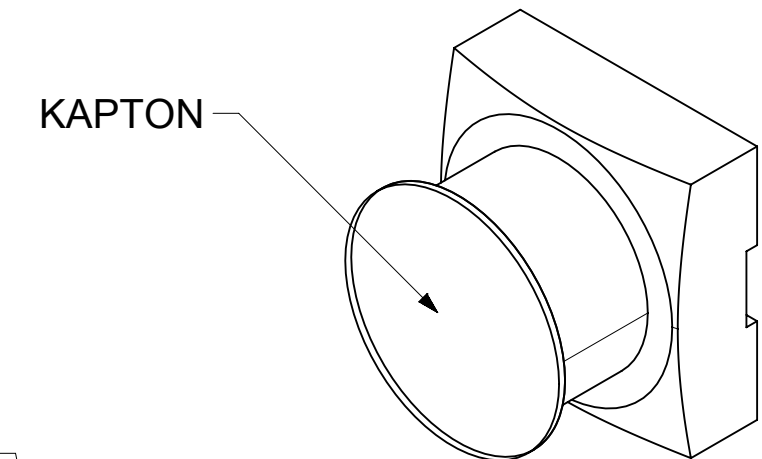
BODY: BRASS
 PLATED: GOLD (10μ-in MIN)
 OVER NICKEL (100μ-in MIN)

CENTER CONTACT: BERYLLIUM COPPER
 PLATED: GOLD (30μ-in MIN)
 OVER NICKEL (100μ-in MIN)

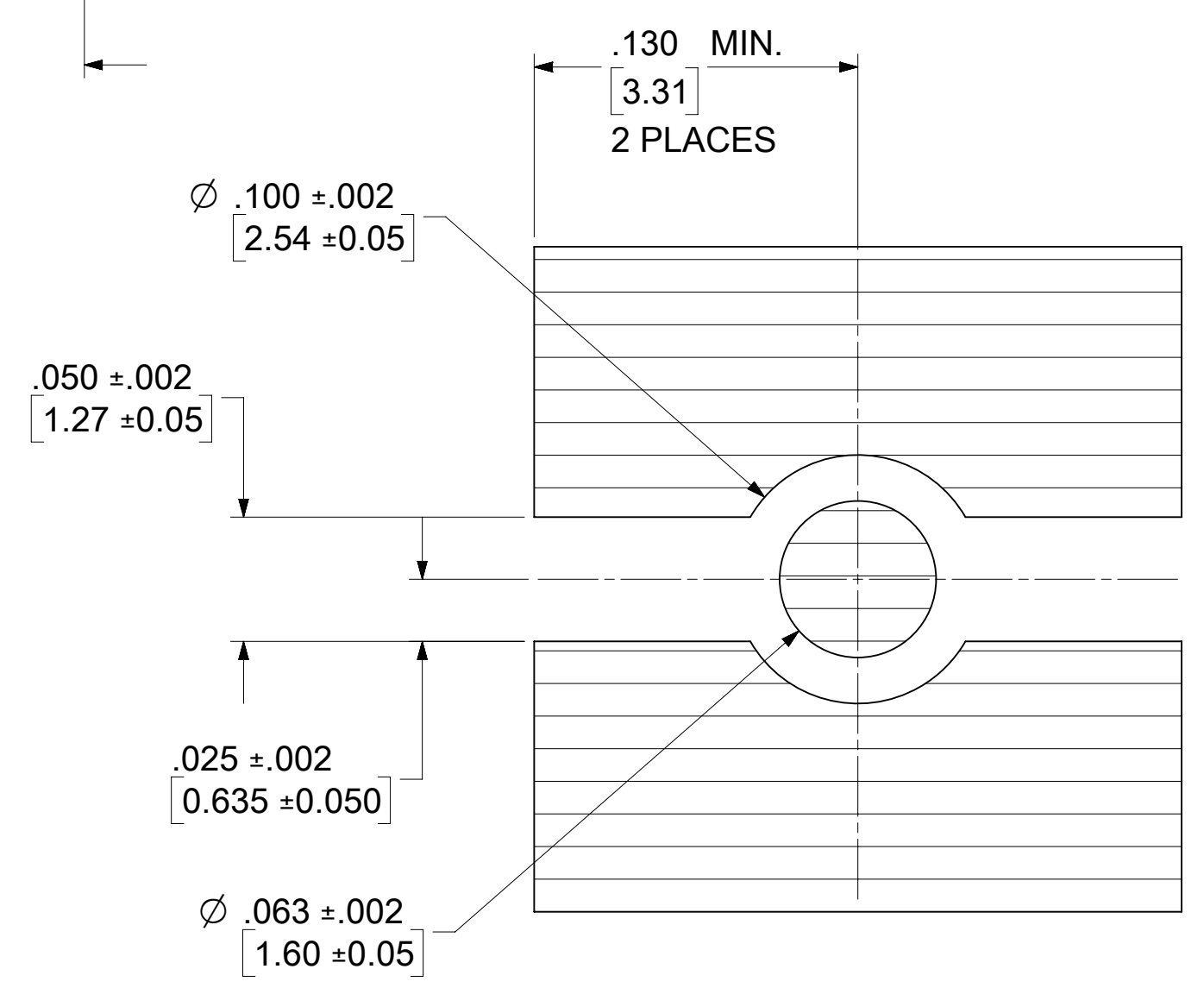
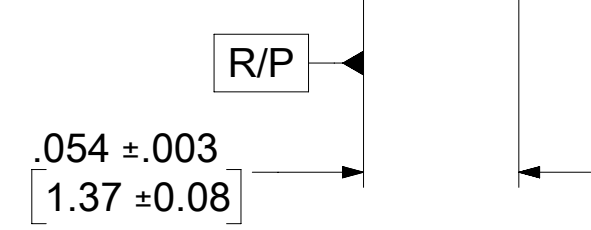
INSULATOR: PTFE

KAPTON: POLYIMIDE
 COLOR: BLACK

SEE SHEETS 2 & 3 FOR PACKAGING
 INSTRUCTIONS)



SMP PLUG
 LIMITED DETENT
 INTERFACE



RECOMMENDED PCB LAYOUT

LABEL FORMAT FOR
 73415-5011

PART NUMBER: 73415-5010
 ORDER NUMBER: 73415-5011
 MOLEX
 DATE: YYWW

73415-5011	73415-5010 ONE PER BAG	895420470
73415-5010	TAPE AND REEL	SEE SHEET 2 & 3
PART NO.	DESCRIPTION	PACKING SPEC

PS-89675-3320	PRODUCT SPECIFICATION
MIL-STD-348B, FIG. 326.3	INTERFACE SMP LD
SPECIFICATION	DESCRIPTION

DOCUMENT STATUS	P1	RELEASE DATE	2022/08/29	03:27:21
-----------------	----	--------------	------------	----------

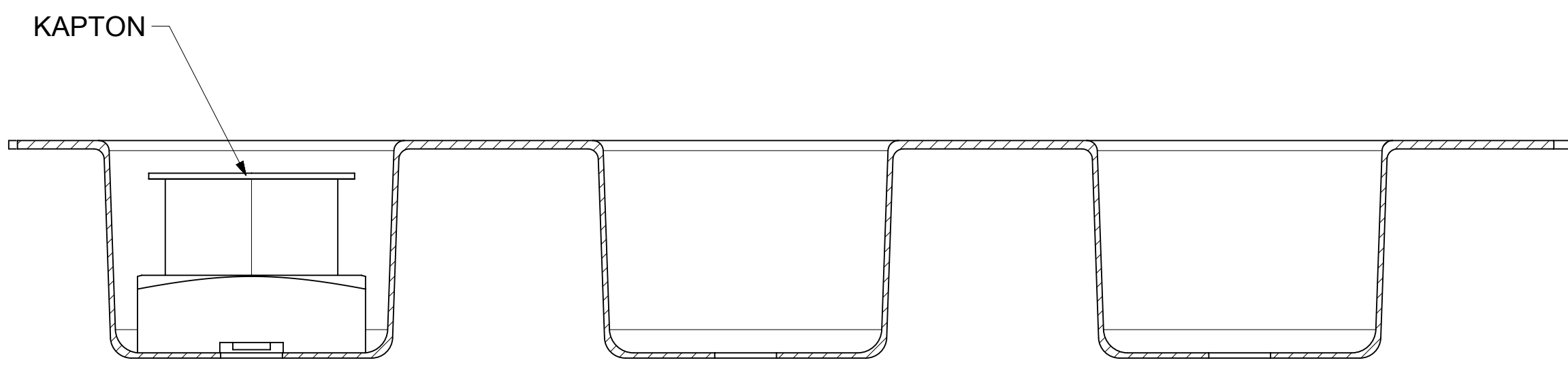
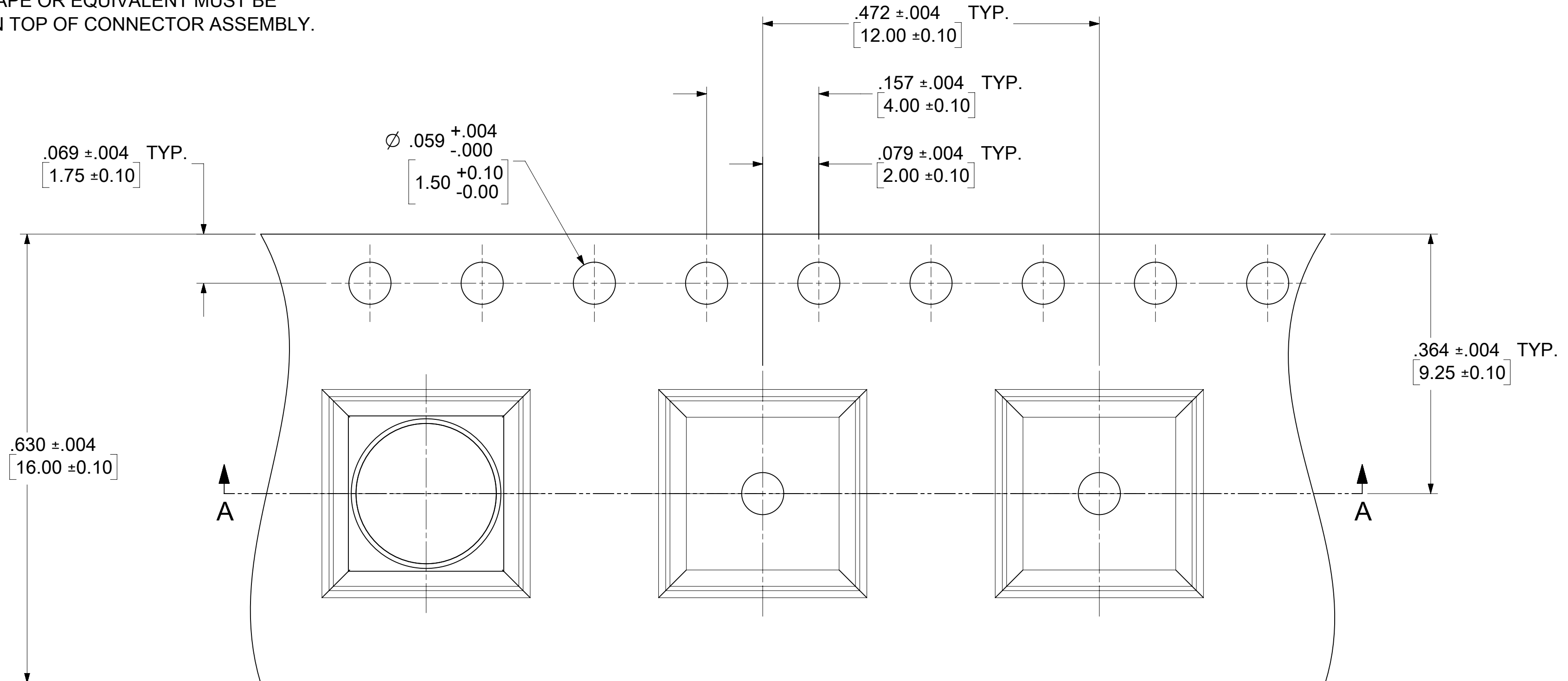
FUNCTIONAL SYMBOLS	THIS DRAWING CONTAINS INFORMATION THAT IS PROPRIETARY TO MOLEX ELECTRONIC TECHNOLOGIES, LLC AND SHOULD NOT BE USED WITHOUT WRITTEN PERMISSION			
	DIMENSION UNITS	SCALE	CURRENT REV DESC: ADD 73415-5011 PER EWR# 15321-C	
▽A = 0	INCH/MM	NTS		
▽E = 0	GENERAL TOLERANCES (UNLESS SPECIFIED)			
▽P = 0	ANGULAR TOL ± 0.5°			
DIVISIONAL SYMBOLS	4 PLACES	±	EC NO: 719080	
	3 PLACES	±	DRWN: ELIN	2022/08/24
	2 PLACES	± 0.25	CHK'D: YCHENG	2022/08/29
	1 PLACE	±	APPR: YCHENG	2022/08/29
0 PLACES	±	INITIAL REVISION:		
DRAFT WHERE APPLICABLE MUST REMAIN WITHIN DIMENSIONS		THIRD ANGLE PROJECTION	DRAWING	SERIES
			C-SIZE	73415
			MATERIAL NUMBER	CUSTOMER
			SEE TABLE	GENERAL MARKET
			DOCUMENT NUMBER	DOC TYPE DOC PART REVISION
			SD-73415-501	PSD 001 A4
			SHEET NUMBER	1 OF 3



SMP PLUG WITH LIMITED
 DETENT 50 OHMS EWR-2470 SMP-P/RA

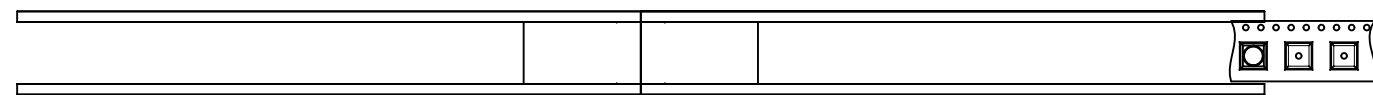
PRODUCT CUSTOMER DRAWING

NOTE:
 1. 10 PITCHES CUMULATIVE TOLERANCE ±0.20(.008)
 2. KAPTON TAPE OR EQUIVALENT MUST BE PLACED ON TOP OF CONNECTOR ASSEMBLY.



SECTION A-A

FUNCTIONAL SYMBOLS										THIS DRAWING CONTAINS INFORMATION THAT IS PROPRIETARY TO MOLEX ELECTRONIC TECHNOLOGIES, LLC AND SHOULD NOT BE USED WITHOUT WRITTEN PERMISSION									
DIMENSION UNITS					SCALE					CURRENT REV DESC: ADD 73415-5011 PER EWR# 15321-C									
INCH/MM					NTS														
GENERAL TOLERANCES (UNLESS SPECIFIED)										EC NO: 719080									
ANGULAR TOL ± 0.5°										DRWN: ELIN					2022/08/24				
4 PLACES ±										CHK'D: YCHENG					2022/08/29				
3 PLACES ±										APPR: YCHENG					2022/08/29				
2 PLACES ± 0.25										INITIAL REVISION:									
1 PLACE ±										DRWN: YCHENG					2009/05/08				
0 PLACES ±										APPR: GMH					2004/06/10				
DRAFT WHERE APPLICABLE MUST REMAIN WITHIN DIMENSIONS					THIRD ANGLE PROJECTION					DRAWING					SERIES				
										C-SIZE					73415				
DOCUMENT STATUS					P1					RELEASE DATE					2022/08/29 03:27:21				
SD-73415-501					PSD					001					A4				
SEE TABLE					GENERAL MARKET					SHEET NUMBER					2 OF 3				



HANDLING DIRECTION →

LABEL:
 - ORDER NO.
 - QUANTITY
 - PART NUMBER
 - LOT NO.

80mm EMPTY UNITS MIN.

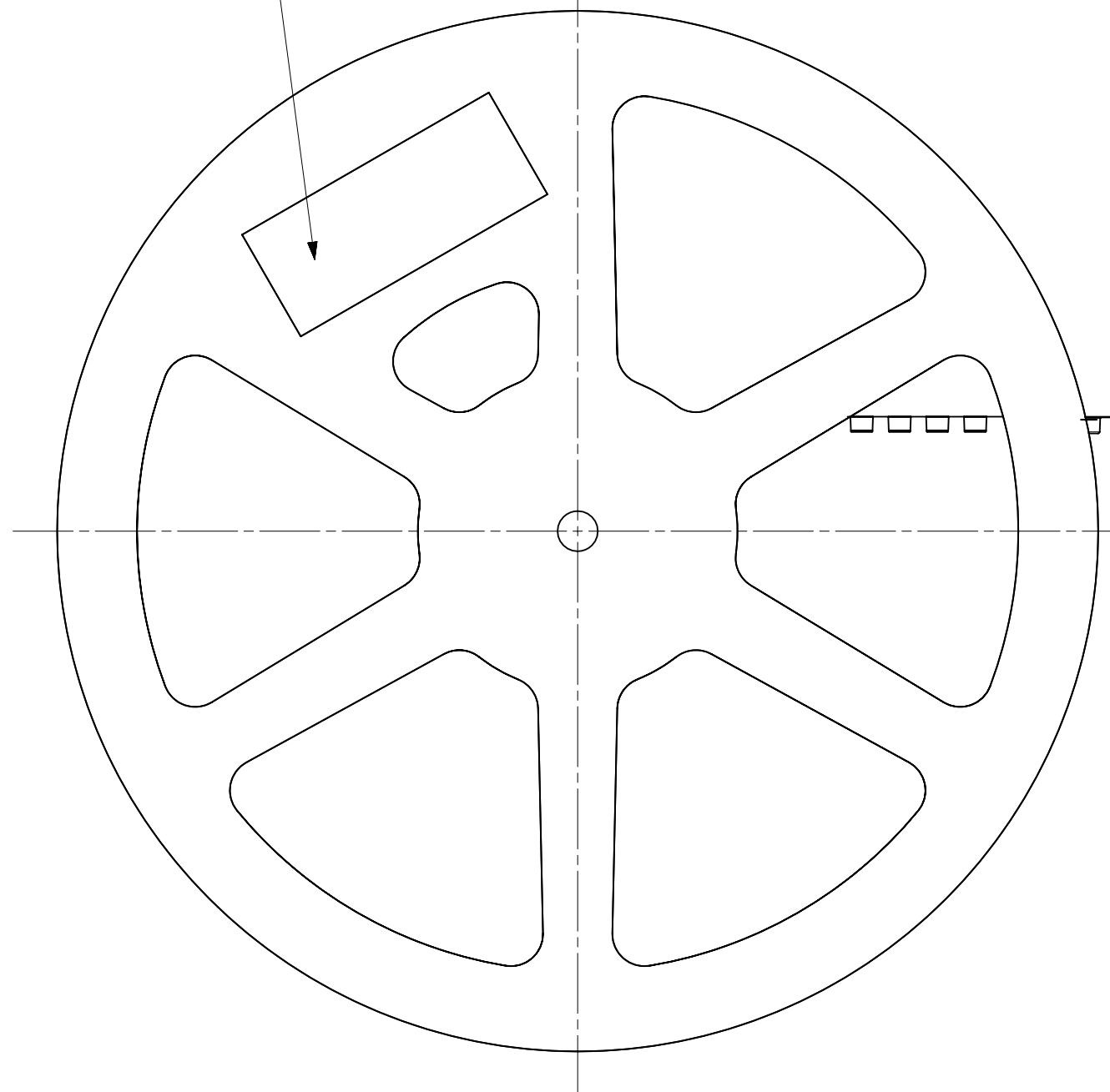
ORDER QUANTITY
 PACKED WITH 1000
 COMPONENTS

250mm EMPTY
 UNITS MIN.

.646 REF.
 [16.40]

∅ 12.993 REF.
 [330.02]

∅ 3.937 REF.
 [100.00]



9.055 MIN.
 [230.00]

HANDLING DIRECTION →

FUNCTIONAL SYMBOLS	THIS DRAWING CONTAINS INFORMATION THAT IS PROPRIETARY TO MOLEX ELECTRONIC TECHNOLOGIES, LLC AND SHOULD NOT BE USED WITHOUT WRITTEN PERMISSION									
	DIMENSION UNITS	SCALE	CURRENT REV DESC: ADD 73415-5011 PER EWR# 15321-C							
$\frac{F}{A} = 0$	INCH/MM	NTS	EC NO: 719080 DRWN: ELIN 2022/08/24 CHK'D: YCHENG 2022/08/29 APPR: YCHENG 2022/08/29 INITIAL REVISION: DRWN: YCHENG 2009/05/08 APPR: GMH 2004/06/10							
$\frac{F}{C} = 0$	GENERAL TOLERANCES (UNLESS SPECIFIED)									
$\frac{F}{P} = 0$	ANGULAR TOL ± 0.5°		SMP PLUG WITH LIMITED DETENT 50 OHMS EWR-2470 SMP-P/RA PRODUCT CUSTOMER DRAWING							
DIVISIONAL SYMBOLS	4 PLACES	±								
	3 PLACES	±								
	2 PLACES	± 0.25								
	1 PLACE	±	DOCUMENT NUMBER		DOC TYPE	DOC PART	REVISION	SD-73415-501 PSD 001 A4		
	0 PLACES	±	MATERIAL NUMBER		CUSTOMER		SHEET NUMBER			
DRAFT WHERE APPLICABLE MUST REMAIN WITHIN DIMENSIONS		THIRD ANGLE PROJECTION	DRAWING	SERIES	SEE TABLE	GENERAL MARKET	3 OF 3			

DOCUMENT STATUS	P1	RELEASE DATE	2022/08/29	03:27:21
-----------------	----	--------------	------------	----------