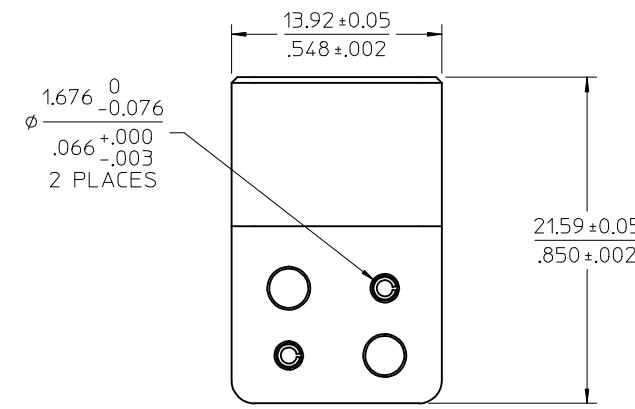
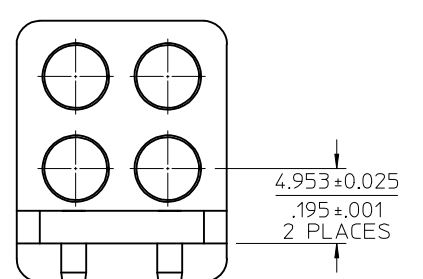
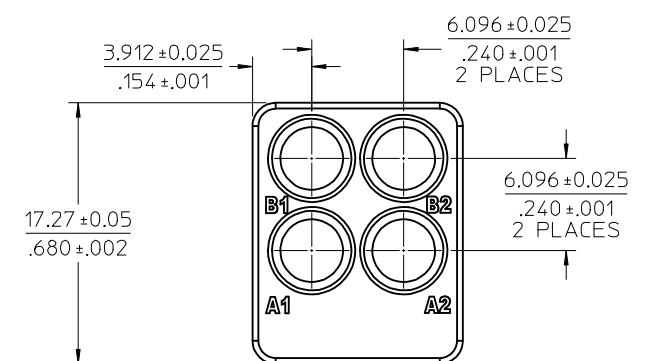
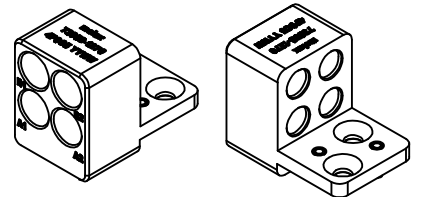
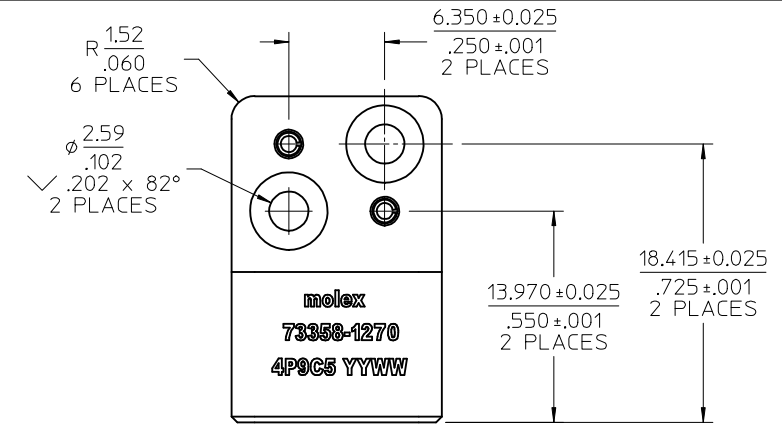
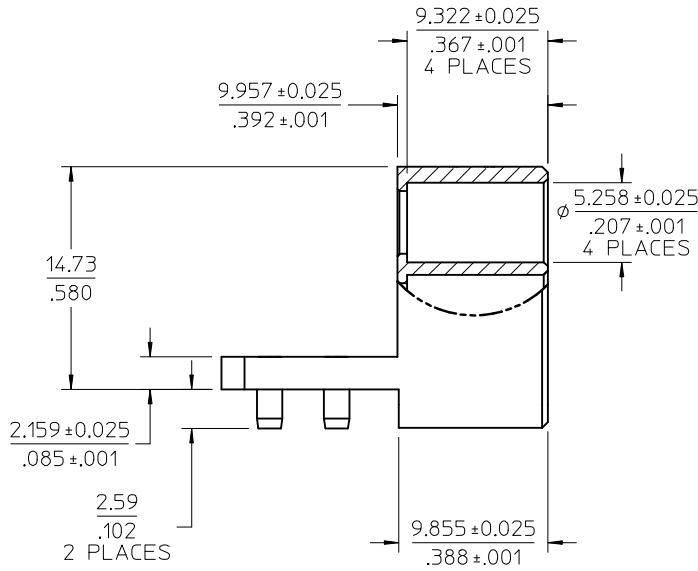


MATERIALS AND FINISHES

HOUSING: ALUMINUM 6061  
PLATED ELECTROLESS NICKEL

ALIGNMENT PINS: STAINLESS STEEL  
PASSIVATED



PART # 73358-1270  
SEE PS-89675-470 FOR PCB LAYOUT & PLACEMENT

ANSI/VITA 67.1	NATIONAL STANDARD
PS-89675-470	PRODUCT SPECIFICATION
SPECIFICATION	DESCRIPTION

CHG: UPDATE VIEWS TO SHOW CHANGES TO BLOCK. EC NO: URF2016-0744 DRW:BSHAH 2016/05/02 CHKD:SSS 2016/05/02 APPR:AROBERTSON 2016/05/04 REV B1	QUALITY SYMBOLS	GENERAL TOLERANCES (UNLESS SPECIFIED)	DIMENSION STYLE	SCALE	DESIGN UNITS	THIRD ANGLE PROJECTION
	▽=0	mm INCH	MM/IN	INCH	INCH	☉
	▽=0	4 PLACES ± --- ± ---	DRAWN BY DATE	TITLE	VITA 67.1 4 PORT MODULE FOR DAUGHTER CARD SMPM-VITA, EWR-5319	
	▽=0	3 PLACES ± --- ± 0.005	CHECKED BY DATE	molex		
	2 PLACES ± 0.13 ± 0.010	APPROVED BY DATE	733581270		DOCUMENT NO.	SHEET NO.
	1 PLACE ± 0.25 ± ---	WSP INK 2014/02/06	SD-73358-127		1 OF 1	
	0 PLACE ± --- ± ---		THIS DRAWING CONTAINS INFORMATION THAT IS PROPRIETARY TO MOLEX INCORPORATED AND SHOULD NOT BE USED WITHOUT WRITTEN PERMISSION			