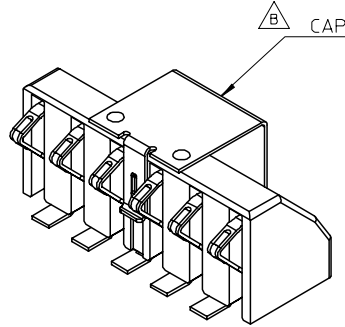
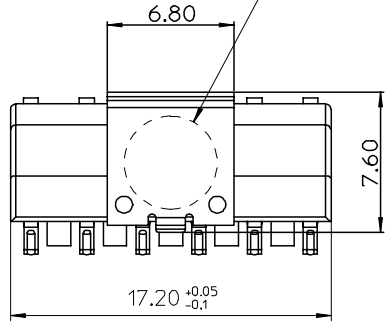
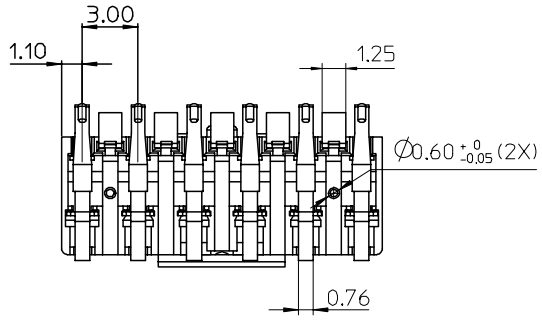
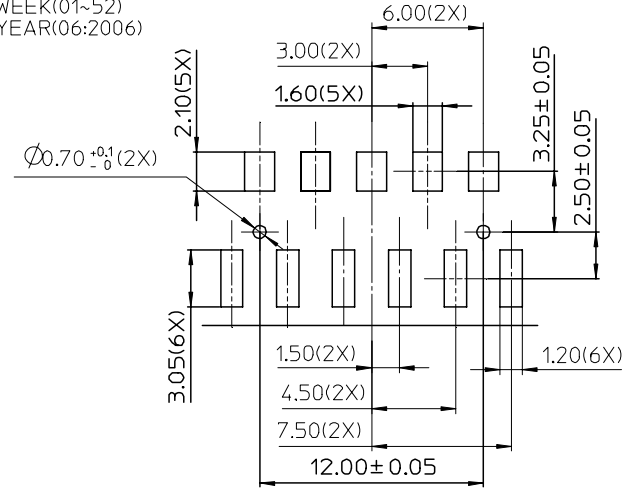
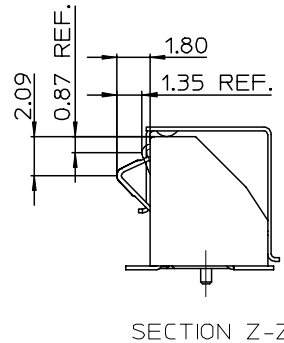
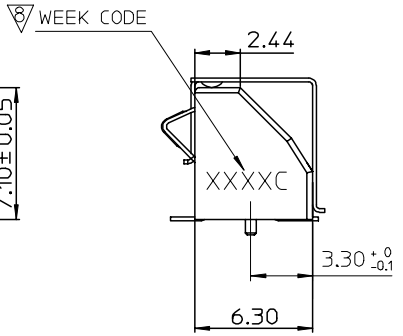
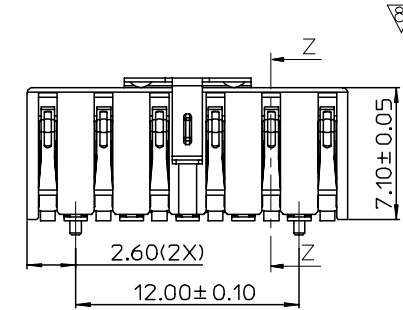


10 9 8 7 6 5 4 3 2 1

SUGGEST TO USE THE NOZZLE $\phi 5.00$ mm



NOTES:
 1.MATERIAL:
 TERMINALS:BERYLLIUM COPPER.
 HOUSING:NYLON 9T,GLASS FIBER FILLED,UL94-0,COLOR:BLACK.
 NAILS:COPPER ALLOY
 CAP:SPTE.
 2.FINISH:
 TERMINALS:
 CONTACT AREA:GOLD(Au),THICKNESS=30 MICROINCH/0.76 MICROMETER MIN.
 UNDER PLATE:NICKEL(Ni).
 SOLDER AREA:TIN(Sn),THICKNESS=100 MICROINCH/2.54 MICROMETER MIN.
 NAILS:
 UNDER PLATE:NICKEL(Ni).
 SOLDER AREA:TIN(Sn),THICKNESS=100 MICROINCH/2.54 MICROMETER MIN.
 3.COPLANARITY TO BE 0.10mm MAX.
 4.PRODUCT SPECIFICATION REFER TO PS-48257-001
 5.TEST SUMMARY REFER TO TS-48257-001
 6.PACKAGING SPECIFICATION REFER TO PK-48257-001
 7.LEAD FREE AND ROHS COMPLIANT PRODUCT
 WEEK CODE: X X X X C



B	48257-1001	WITHOUT
	48257-0001	WITH
	MATERIAL NO.	CAP

PER EWR 2007-0101	DESCRIPTION
EC NO: SH2007-0551	
DRWN: ALLIN 2007/03/07	
CHKD: 2007/03/09	
APPR: WMSCHANG 2007/03/09	
REV	

QUALITY SYMBOLS	GENERAL TOLERANCES (UNLESS SPECIFIED)
$\nabla = 0$	mm INCH
$\nabla C = 0$	4 PLACES \pm --- \pm ---
	3 PLACES \pm --- \pm ---
	2 PLACES ± 0.25 \pm ---
	1 PLACE ± 0.25 \pm ---
	ANGULAR $\pm 3^\circ$

DRAFT WHERE APPLICABLE MUST REMAIN WITHIN DIMENSIONS	SIZE A3
--	---------

QUALITY SYMBOLS	GENERAL TOLERANCES (UNLESS SPECIFIED)	DIMENSION STYLE MM ONLY	SCALE	DESIGN UNITS METRIC	THIRD ANGLE PROJECTION
$\nabla = 0$	mm INCH	DRAWN BY DATE LIAND CHIANG 2006/05/11	TITLE	3.00 PITCH BATTERY 6 CKTS SMT	
$\nabla C = 0$	4 PLACES \pm --- \pm ---	CHECKED BY DATE ALLEN LIN 2006/05/12	APPROVED BY DATE WILSON CHANG 2006/05/12	MOLEX MOLEX INCORPORATED	
	3 PLACES \pm --- \pm ---	MATERIAL NO.	DOCUMENT NO. SD-48257-001	SHEET NO. 1 OF 1	
	2 PLACES ± 0.25 \pm ---	THIS DRAWING CONTAINS INFORMATION THAT IS PROPRIETARY TO MOLEX INCORPORATED AND SHOULD NOT BE USED WITHOUT WRITTEN PERMISSION			
	1 PLACE ± 0.25 \pm ---				

RECOMMEND PCB LAYOUT (TOLERANCE ± 0.10)
--

9 8 7 6 5 4 3 2 1