

| NO OF SIGNAL | MATERIAL NUMBER | DIM A | DIM P | PCB THK |
|--------------|-----------------|-------|-------|---------|
| 12           | 45985-0111      | 12.5  | 4.50  | 3.18    |
| 16           | 45985-0121      | 15.0  |       |         |
| 20           | 45985-0131      | 17.6  |       |         |
| 24           | 45985-0141      | 20.1  |       |         |
| 28           | 45985-0151      | 22.6  |       |         |
| 32           | 45985-0161      | 25.2  | 3.60  | 2.36    |
| 36           | 45985-0171      | 27.7  |       |         |
| 40           | 45985-0181      | 30.3  |       |         |
| 12           | 45985-0112      | 12.5  |       |         |
| 16           | 45985-0122      | 15.0  |       |         |
| 20           | 45985-0132      | 17.6  | 2.90  | 1.57    |
| 24           | 45985-0142      | 20.1  |       |         |
| 28           | 45985-0152      | 22.6  |       |         |
| 32           | 45985-0162      | 25.2  |       |         |
| 36           | 45985-0172      | 27.7  |       |         |
| 40           | 45985-0182      | 30.3  | 2.90  | 1.57    |
| 12           | 45985-0113      | 12.5  |       |         |
| 16           | 45985-0123      | 15.0  |       |         |
| 20           | 45985-0133      | 17.6  |       |         |
| 24           | 45985-0143      | 20.1  | 2.90  | 1.57    |
| 28           | 45985-0153      | 22.6  |       |         |
| 32           | 45985-0163      | 25.2  |       |         |
| 36           | 45985-0173      | 27.7  |       |         |
| 40           | 45985-0183      | 30.3  |       |         |

NOTES:

- MATERIAL:  
HOUSING: GLASS FILLED LCP (LIQUID CRYSTAL POLYMER); UL94V-0; COLOR: BLACK  
TERMINALS: COPPER ALLOY
- PLATING: 0.76 MICROMETER / (30 MICROINCH) MINIMUM SELECT GOLD  
3.81 MICROMETER / (150 MICROINCH) MINIMUM SELECT TIN, BOTH OVER  
1.27 MICROMETER / (50 MICROINCH) MINIMUM NICKEL OVERALL.
- PRODUCT SPECIFICATION: PS-45984-001.
- PACKAGING SPECIFICATION: PK-45984-001.
- SEE SHEET 5 FOR CIRCUIT IDENTIFICATION.
- PARTS ARE RoHS COMPLIANT.
- MATES WITH 45984, 46113 SERIES RECEPTACLE.

|   |  |  |  |                        |  |   |  |               |  |
|---|--|--|--|------------------------|--|---|--|---------------|--|
| THIS DRAWING CONTAINS INFORMATION THAT IS PROPRIETARY TO MOLEX ELECTRONIC TECHNOLOGIES, LLC AND SHOULD NOT BE USED WITHOUT WRITTEN PERMISSION |  |  |  |                        |  |   |  |               |  |
| SYMBOLS   |  | DIMENSION UNITS                                      |  | SCALE                  |  | CURRENT REV DESC: CIRCUIT NO. 1 AND 2 ON PCB ARE CORRECTED  |  |               |  |
| ▽ = 0   |  | mm   |  | 2:1                    |  | <b>molex</b><br>LPH PLUG ASSEMBLY SIGNAL CONNECTOR<br>PRODUCT CUSTOMER DRAWING                      |  |               |  |
| ▽ = 0   |  | GENERAL TOLERANCES (UNLESS SPECIFIED)                |  |                        |  |   |  |               |  |
| ▽ = 0   |  |  |  |                        |  | EC NO: 676774<br>DRWN: CHETAB 2021/09/02<br>CHK'D: MBELLE 2021/09/07<br>APPR: HTHYAGARAJ 2021/09/09 |  |               |  |
| ▽ = 0   |  | 4 PLACES ±   |  | ±                      |  | INITIAL REVISION:<br>DRWN: BANDURA 5/1/2006<br>APPR: PATEL 5/5/2006                                 |  |               |  |
| ▽ = 0   |  | 3 PLACES ±   |  | ±                      |  |   |  |               |  |
| ▽ = 0   |  | 2 PLACES ±   |  | ± 0.25 ±               |  | DOCUMENT NUMBER: SD-45985-483<br>DOC TYPE: PSD<br>DOC PART: 001<br>REVISION: D1                     |  |               |  |
| ▽ = 0   |  | 1 PLACE ±  |  | ±                      |  | MATERIAL NUMBER: SEE CHART<br>CUSTOMER: GENERAL MARKET<br>SHEET NUMBER: 1 OF 5                      |  |               |  |
| ▽ = 0   |  | 0 PLACES ±   |  | ±                      |  |   |  |               |  |
| ▽ = 0   |  | ANGULAR TOL ± 0.5°                                   |  |                        |  |   |  |               |  |
| ▽ = 0   |  | DRAFT WHERE APPLICABLE MUST REMAIN WITHIN DIMENSIONS |  | THIRD ANGLE PROJECTION |  | DRAWING: B-SIZE   |  | SERIES: 45985 |  |

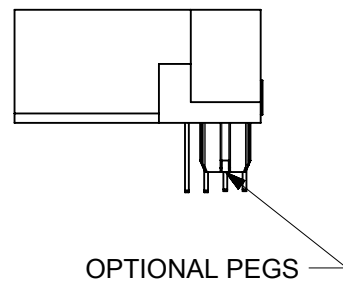
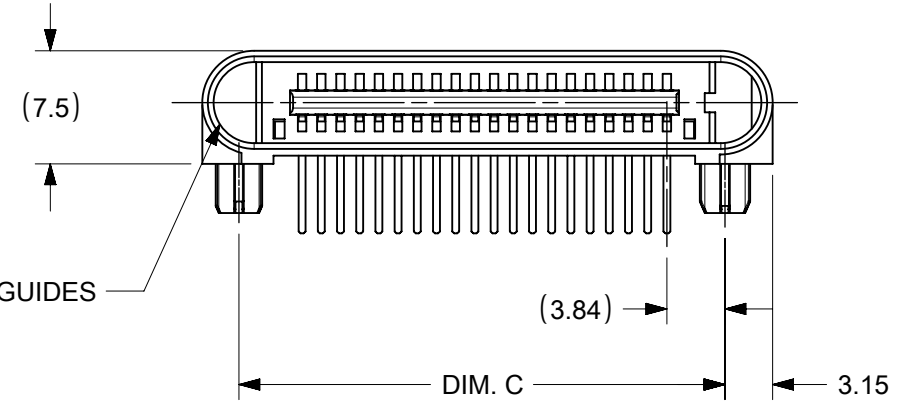
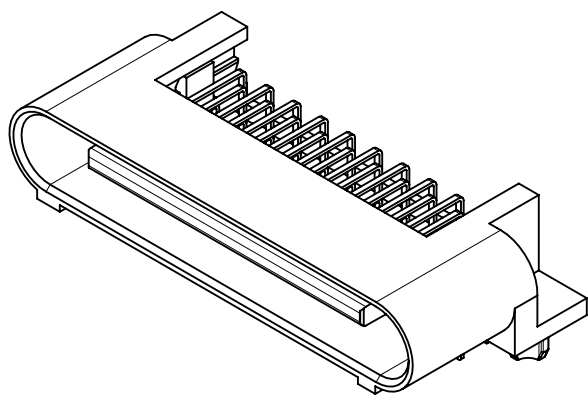
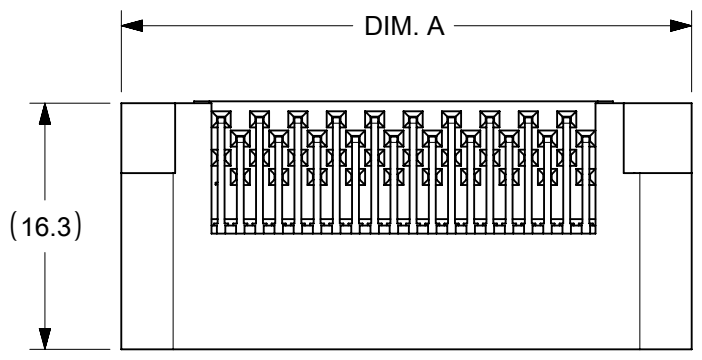
|                 |    |              |            |          |
|-----------------|----|--------------|------------|----------|
| DOCUMENT STATUS | P1 | RELEASE DATE | 2021/09/09 | 11:58:04 |
|-----------------|----|--------------|------------|----------|





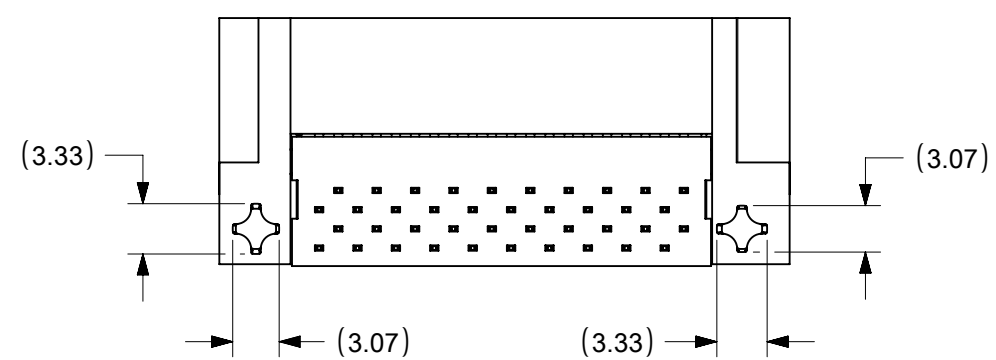
10 9 8 7 6 5 4 3 2 1

| NO OF SIGNAL | MATERIAL NUMBER | DIM A | DIM C | DIM P | PCB THK |
|--------------|-----------------|-------|-------|-------|---------|
| 12           | 45985-0411      | 19.9  | 14.37 | 4.50  | 3.18    |
| 16           | 45985-0421      | 22.5  | 16.91 |       |         |
| 20           | 45985-0431      | 25.0  | 19.45 |       |         |
| 24           | 45985-0441      | 27.6  | 21.99 |       |         |
| 28           | 45985-0451      | 30.1  | 24.53 |       |         |
| 32           | 45985-0461      | 32.6  | 27.07 |       |         |
| 36           | 45985-0471      | 35.2  | 29.61 |       |         |
| 40           | 45985-0481      | 37.7  | 32.15 |       |         |
| 12           | 45985-0412      | 19.9  | 14.37 | 3.60  | 2.36    |
| 16           | 45985-0422      | 22.5  | 16.91 |       |         |
| 20           | 45985-0432      | 25.0  | 19.45 |       |         |
| 24           | 45985-0442      | 27.6  | 21.99 |       |         |
| 28           | 45985-0452      | 30.1  | 24.53 |       |         |
| 32           | 45985-0462      | 32.6  | 27.07 |       |         |
| 36           | 45985-0472      | 35.2  | 29.61 |       |         |
| 40           | 45985-0482      | 37.7  | 32.15 |       |         |
| 12           | 45985-0413      | 19.9  | 14.37 | 2.90  | 1.57    |
| 16           | 45985-0423      | 22.5  | 16.91 |       |         |
| 20           | 45985-0433      | 25.0  | 19.45 |       |         |
| 24           | 45985-0443      | 27.6  | 21.99 |       |         |
| 28           | 45985-0453      | 30.1  | 24.53 |       |         |
| 32           | 45985-0463      | 32.6  | 27.07 |       |         |
| 36           | 45985-0473      | 35.2  | 29.61 |       |         |
| 40           | 45985-0483      | 37.7  | 32.15 |       |         |



OPTIONAL GUIDES

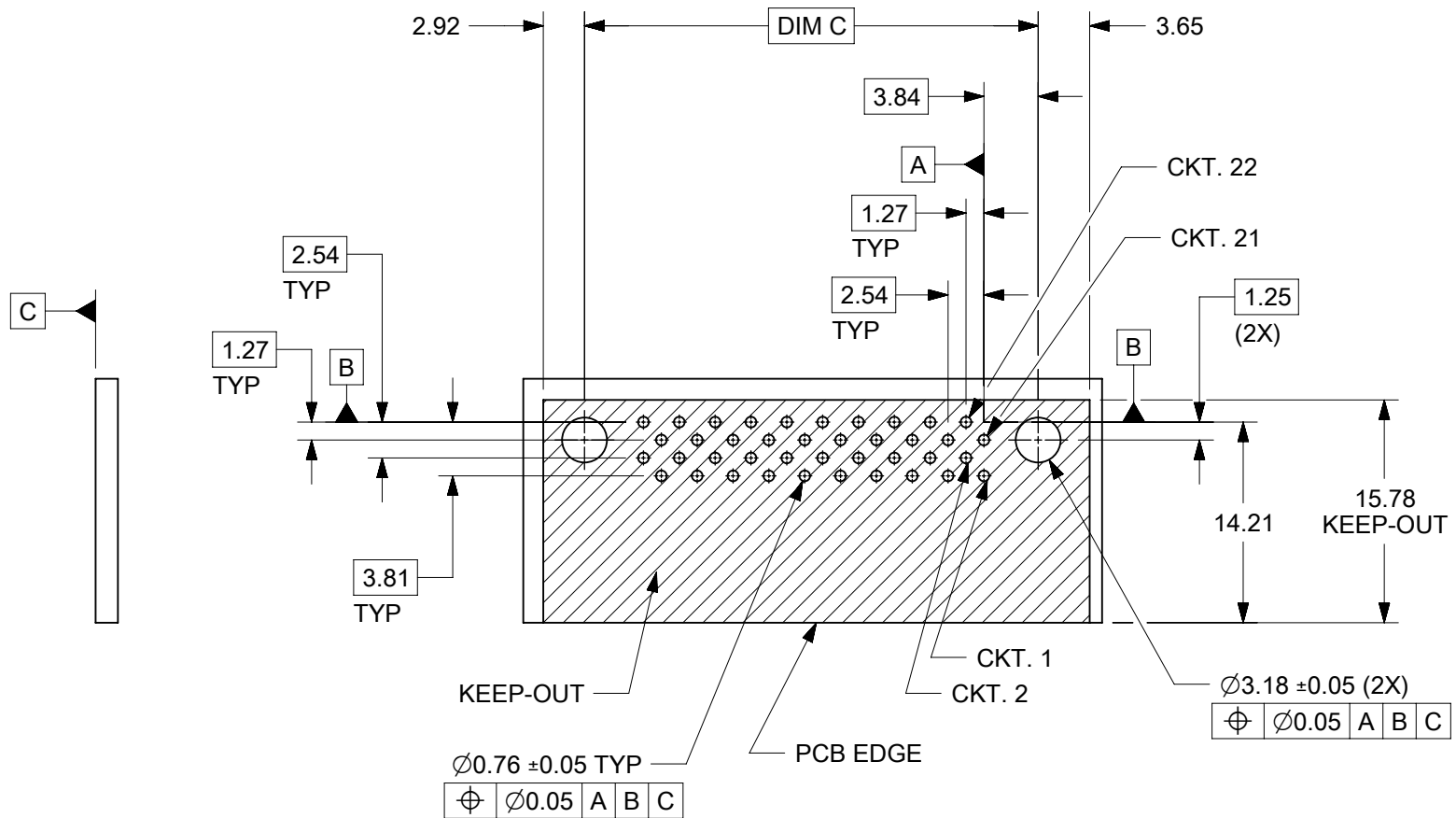
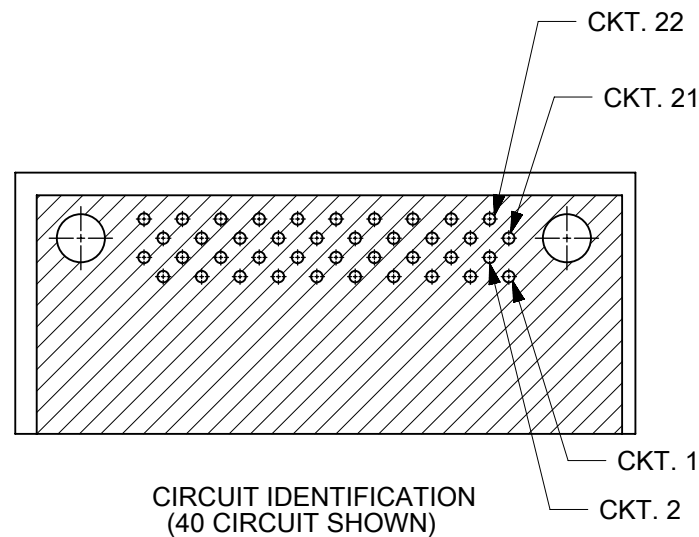
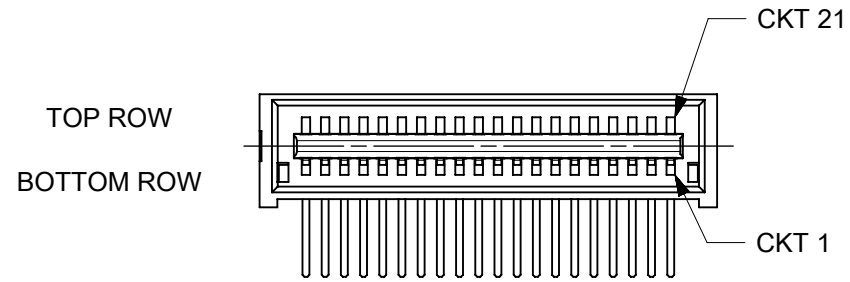
OPTIONAL PEGS



|   |   |  |  |  |  |
|---|---|--|--|--|--|
| <b>SYMBOLS</b><br>DIMENSION UNITS: mm<br>SCALE: 2:1<br>GENERAL TOLERANCES (UNLESS SPECIFIED):<br>4 PLACES ±<br>3 PLACES ±<br>2 PLACES ± 0.25<br>1 PLACE ±<br>0 PLACES ±<br>ANGULAR TOL ± 0.5°<br>DRAFT WHERE APPLICABLE MUST REMAIN WITHIN DIMENSIONS<br>THIRD ANGLE PROJECTION<br>DRAWING SERIES: B-SIZE 45985 | THIS DRAWING CONTAINS INFORMATION THAT IS PROPRIETARY TO MOLEX ELECTRONIC TECHNOLOGIES, LLC AND SHOULD NOT BE USED WITHOUT WRITTEN PERMISSION<br>CURRENT REV DESC: CIRCUIT NO. 1 AND 2 ON PCB ARE CORRECTED<br>EC NO: 676774<br>DRWN: CHETAB 2021/09/02<br>CHK'D: MBELLE 2021/09/07<br>APPR: HTHYAGARAJ 2021/09/09<br>INITIAL REVISION:<br>DRWN: BANDURA 5/1/2006<br>APPR: PATEL 5/5/2006 |  | <br>LPH PLUG ASSEMBLY SIGNAL CONNECTOR<br>PRODUCT CUSTOMER DRAWING |  |  |
|   | DOCUMENT NUMBER: SD-45985-483<br>DOC TYPE: PSD<br>DOC PART: 001<br>REVISION: D1   |  |  |  |  |
|   | MATERIAL NUMBER: SEE CHART<br>CUSTOMER: GENERAL MARKET<br>SHEET NUMBER: 4 OF 5  |  |  |  |  |
|   | DOCUMENT STATUS: P1<br>RELEASE DATE: 2021/09/09 11:58:04  |  |  |  |  |

10 9 8 7 6 5 4 3 2 1

| NO OF SIGNAL | DIM C |
|--------------|-------|
| 12           | 14.37 |
| 16           | 16.91 |
| 20           | 19.45 |
| 24           | 21.99 |
| 28           | 24.53 |
| 32           | 27.07 |
| 36           | 29.61 |
| 40           | 32.15 |



RECOMMENDED PCB LAYOUT SHOWN FROM COMPONENT SIDE

| <b>SYMBOLS</b><br>= 0<br>= 0<br>= 0<br>= 0<br>= 0<br>= 0<br>= 0 | THIS DRAWING CONTAINS INFORMATION THAT IS PROPRIETARY TO MOLEX ELECTRONIC TECHNOLOGIES, LLC AND SHOULD NOT BE USED WITHOUT WRITTEN PERMISSION  |                            | CURRENT REV DESC: CIRCUIT NO. 1 AND 2 ON PCB ARE CORRECTED  |                        |  |                                       |  |  |            |  |  |            |      |  |           |  |  |            |  |  |                    |  |                            |                          |                        |  |                        |
|---|--|----------------------------|---|------------------------|--|---------------------------------------|--|--|------------|--|--|------------|------|--|-----------|--|--|------------|--|--|--------------------|--|----------------------------|--------------------------|------------------------|--|------------------------|
|   | DIMENSION UNITS<br><b>mm</b>   | SCALE<br><b>2:1</b>        | EC NO: 676774<br>DRWN: CHETAB 2021/09/02<br>CHK'D: MBELLE 2021/09/07<br>APPR: HTHYAGARAJ 2021/09/09 |                        |  | LPH PLUG ASSEMBLY<br>SIGNAL CONNECTOR |  |  |            |  |  |            |      |  |           |  |  |            |  |  |                    |  |                            |                          |                        |  |                        |
|   | GENERAL TOLERANCES (UNLESS SPECIFIED)  |                            | INITIAL REVISION:<br>DRWN: BANDURA 5/1/2006<br>APPR: PATEL 5/5/2006                                 |                        |  | PRODUCT CUSTOMER DRAWING              |  |  |            |  |  |            |      |  |           |  |  |            |  |  |                    |  |                            |                          |                        |  |                        |
|   | <table border="1"> <thead> <tr> <th></th> <th>MM</th> <th>INCH</th> </tr> </thead> <tbody> <tr> <td>4 PLACES ±</td> <td></td> <td></td> </tr> <tr> <td>3 PLACES ±</td> <td></td> <td></td> </tr> <tr> <td>2 PLACES ±</td> <td>0.25</td> <td></td> </tr> <tr> <td>1 PLACE ±</td> <td></td> <td></td> </tr> <tr> <td>0 PLACES ±</td> <td></td> <td></td> </tr> </tbody> </table> |                            | MM  | INCH                   |  | 4 PLACES ±                            |  |  | 3 PLACES ± |  |  | 2 PLACES ± | 0.25 |  | 1 PLACE ± |  |  | 0 PLACES ± |  |  | ANGULAR TOL ± 0.5° | DRAFT WHERE APPLICABLE MUST REMAIN WITHIN DIMENSIONS | THIRD ANGLE PROJECTION<br> | DRAWING<br><b>B-SIZE</b> | SERIES<br><b>45985</b> | DOCUMENT NUMBER<br><b>SD-45985-483</b> | DOC TYPE<br><b>PSD</b> |
|   | MM   | INCH                       |   |                        |  |                                       |  |  |            |  |  |            |      |  |           |  |  |            |  |  |                    |  |                            |                          |                        |  |                        |
| 4 PLACES ±  |  |                            |   |                        |  |                                       |  |  |            |  |  |            |      |  |           |  |  |            |  |  |                    |  |                            |                          |                        |  |                        |
| 3 PLACES ±  |  |                            |   |                        |  |                                       |  |  |            |  |  |            |      |  |           |  |  |            |  |  |                    |  |                            |                          |                        |  |                        |
| 2 PLACES ±  | 0.25   |                            |   |                        |  |                                       |  |  |            |  |  |            |      |  |           |  |  |            |  |  |                    |  |                            |                          |                        |  |                        |
| 1 PLACE ±   |  |                            |   |                        |  |                                       |  |  |            |  |  |            |      |  |           |  |  |            |  |  |                    |  |                            |                          |                        |  |                        |
| 0 PLACES ±  |  |                            |   |                        |  |                                       |  |  |            |  |  |            |      |  |           |  |  |            |  |  |                    |  |                            |                          |                        |  |                        |
| MATERIAL NUMBER<br>SEE CHART                                    |  | CUSTOMER<br>GENERAL MARKET |   | SHEET NUMBER<br>5 OF 5 |  |                                       |  |  |            |  |  |            |      |  |           |  |  |            |  |  |                    |  |                            |                          |                        |  |                        |