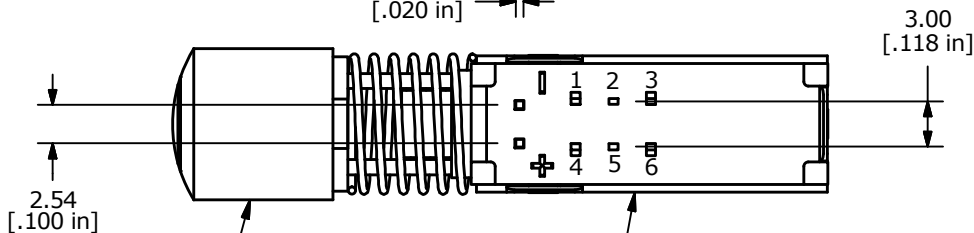
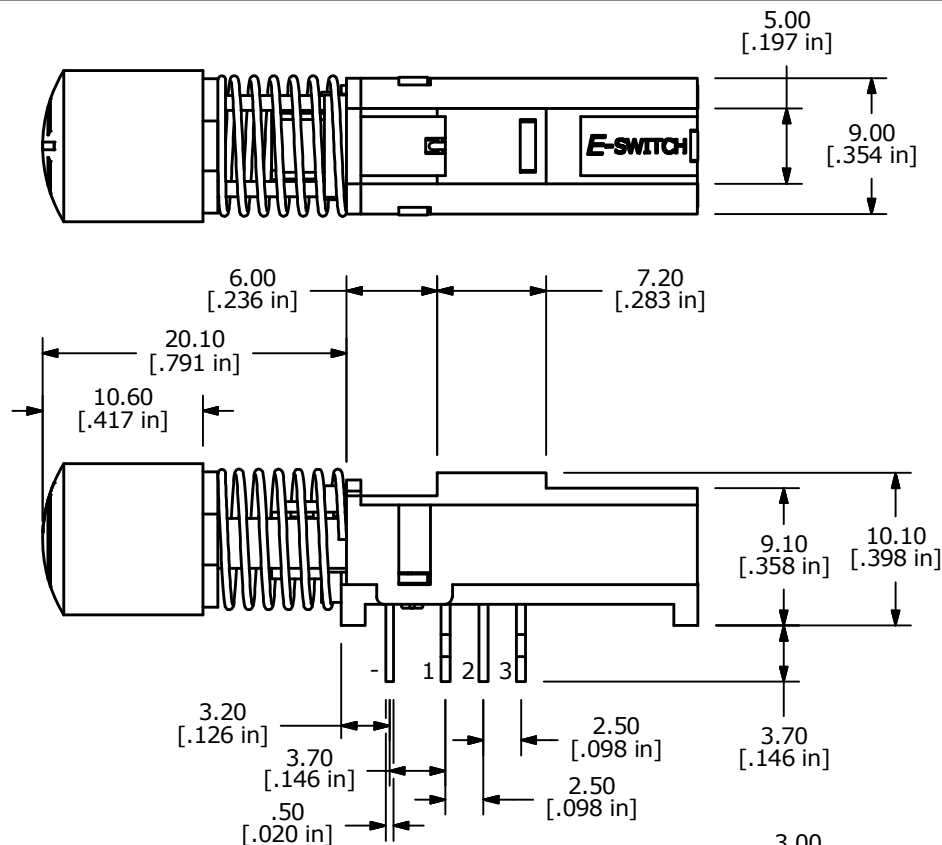
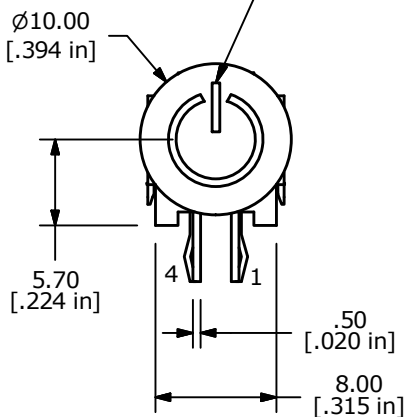
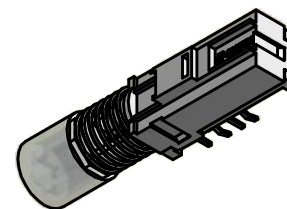


▲ NOTE SYMBOL ORIENTATION
SYMBOL IS TRANSPARENT
BUTTON IS SILVER



▲ R05SILPOW (B410001)

▲ WBL2UEEGQ (B400015)



NOTES:

1. ALL DIMENSIONS IN MM [INCH]
2. GENERAL TOLERANCE: x.x = ± 0.4mm
x.xx = ± 0.25mm
3. RATING: DC 30V, 0.3A
4. OPERATING FORCE: 200± 100gf
5. TRAVEL: FULL: 3.3mm, LOCK: 2.5mm
6. LIFE CYCLES: 10,000 CYCLES
7. OPERATING TEMPERATURE: -20°C TO 70°C
8. CONTACT RESISTANCE: 20mΩ MAX.
9. INSULATION RESISTANCE: 100MΩ MIN@ 500VDC.
- ▲ 10. LED COLOR: GREEN
11. ▲ DENOTES CRITICAL PARAMETER.
12. 2002/95/EC (RoHS) COMPLIANT.

LED SPECS	UNITS	GREEN
FORWARD CURRENT	mA	20
FORWARD VOLTAGE @20mA	V	2.1 Typ-2.5 Max
LUMINOUS INTENSITY @20mA	MCD	400 Typ



REV	PCR NO	DESCRIPTION	DATE	BY
B	21999	UPDATE LED SPECS	10/6/15	MW
A	20898	RELEASE FOR PRODUCTION	11/30/12	EBP

TITLE WBL2UEEGQR05SILPWR				
SCALE 2:1	DATE 11/30/2012	DR EBP	DWG XB0942P	REV B

THE INFORMATION CONTAINED IN THIS DOCUMENT IS PROPRIETARY TO E-SWITCH AND IS NOT TO BE COPIED OR TRANSFERRED