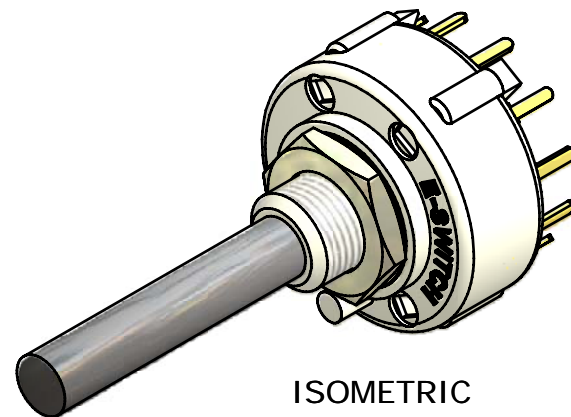
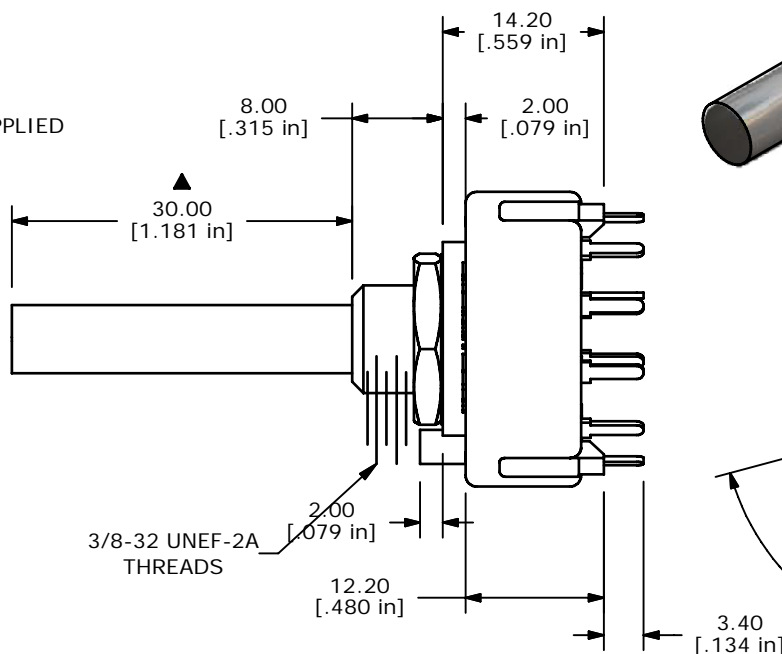
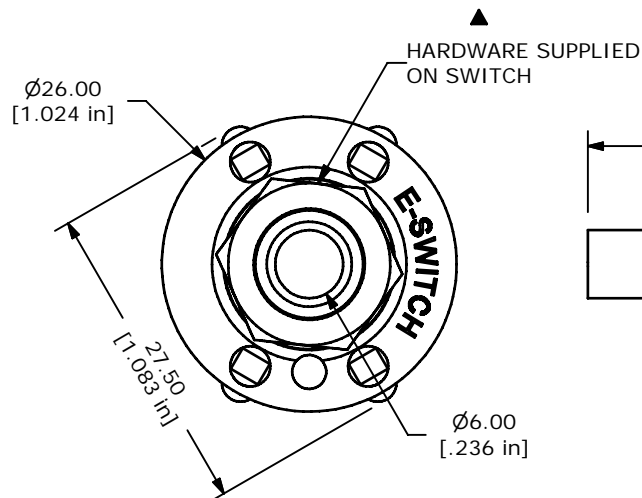
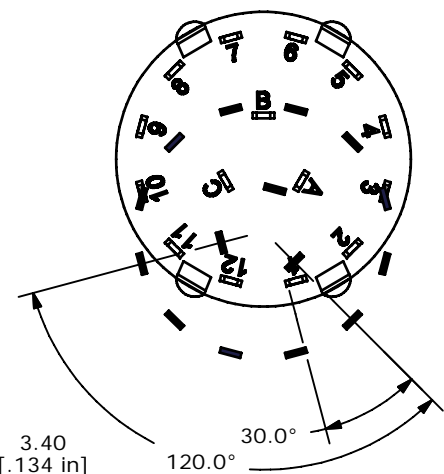


CONTACT CONFIGURATION
TIMING (BBM) NON-SHORTING



ISOMETRIC



- NOTE:
1. ALL DIMENSIONS IN MM[INCH].
 2. GENERAL TOLERANCE: X.X=±0.4
X.XX=±0.25
 3. TERM. NOS. FOR REFERENCE ONLY.
 - ▲ 4. CONTACT MATERIAL: GOLD
 5. CONTACT RATING: 150MILLIAMP, 250VAC/DC
350MILLIAMP, 110VAC/DC
 6. CONTACT RATING (NON-SWITCHING) 5A
 7. OPERATING FORCE 425± 100CM/STANDARD
 8. OPERATING TEMP: -30°C TO 85°C
 - ▲ 9. CIRCUIT 3P: 4 POSITION 30° INDEX.
 10. DIELECTRIC STRENGTH: 1000V RMS MIN.@ SEA LEVEL.
 - ▲ 11. HARDWARE SUPPLIED ON SWITCH:
LOCKWASHER, HEXNUT, & STOPRING.
 12. ▲ DENOTES CRITICAL PARAMETER.
 13. 2002/95/EC (ROHS) COMPLIANT
 - ▲ 14. PACKAGE: TRAY/462 PIECES PER



| REV | PCR NO | DESCRIPTION | DATE | BY |
|-----|--------|-------------------------|---------|----|
| B | 17928 | add stopring to note 11 | 1/17/08 | TN |
| A | 16993 | RELEASED FOR PRODUCTION | 2/14/07 | TN |

| | | | | |
|----------------------|-----------|----|---------|-----|
| TITLE KC34B30.001NPF | | | | |
| SCALE | DATE | DR | DWG | REV |
| 1.5:1 | 2/14/2007 | TN | G510359 | B |

THE INFORMATION CONTAINED IN THIS DOCUMENT IS PROPRIETARY TO E-SWITCH AND IS NOT TO BE COPIED OR TRANSFERRED