

**DESIGNED & DIMENSIONED
IN MILLIMETERS [INCHES]**

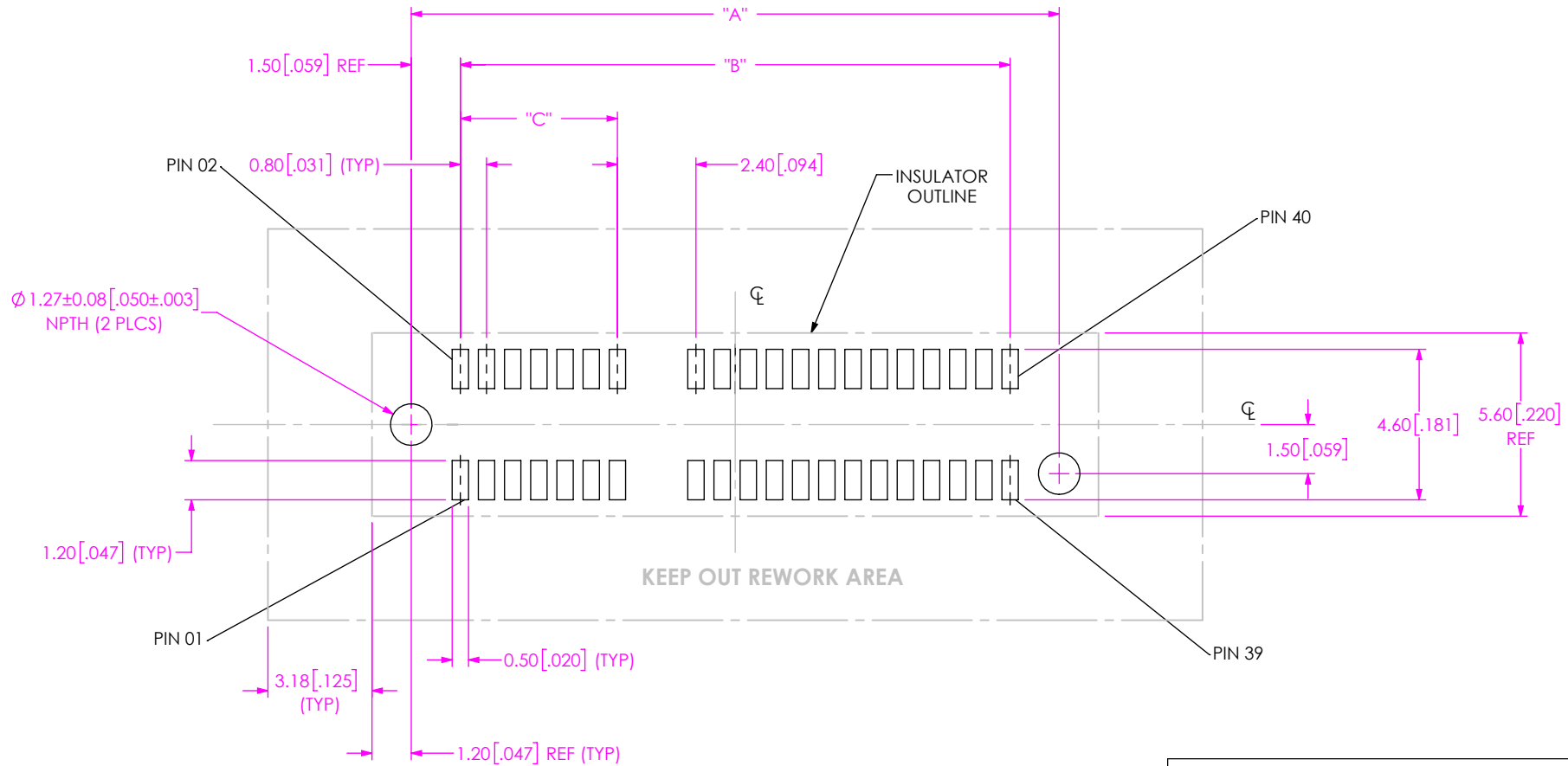


FIG 1
HSEC8-112-01-X-DP-A FOOTPRINT SHOWN

TABLE 1			
No OF PAIRS	"A"	"B"	"C"
-08	15.00 [.591]	12.00 [.472]	2.40 [.094]
-12	19.80 [.780]	16.80 [.661]	4.80 [.189]
-16	24.60 [.969]	21.60 [.850]	7.20 [.283]
-20	29.40 [1.157]	26.40 [1.039]	9.60 [.378]
-32	43.80 [1.724]	40.80 [1.606]	16.80 [.661]
-56	72.60 [2.858]	69.60 [2.740]	31.20 [1.228]

TOLERANCES ARE:
DECIMALS
X: ± .3[.01]
XX: ± .10[.004]
XXX: ± .050[.0020]

ANGLES
2°

PROPRIETARY NOTE
THIS DOCUMENT CONTAINS CONFIDENTIAL AND PROPRIETARY INFORMATION AND ALL DESIGN, MANUFACTURING, REPRODUCTION, USE, PATENT RIGHTS AND SALES RIGHTS ARE EXPRESSLY RESERVED BY SAMTEC, INC. THIS DOCUMENT SHALL NOT BE DISCLOSED, IN WHOLE OR PART, TO ANY UNAUTHORIZED PERSON OR ENTITY NOR REPRODUCED, TRANSFERRED OR INCORPORATED IN ANY OTHER PROJECT IN ANY MANNER WITHOUT THE EXPRESS WRITTEN CONSENT OF SAMTEC, INC.



520 PARK EAST BLVD, NEW ALBANY, IN 47150
PHONE: 812-944-6733 FAX: 812-948-5047
e-Mail: info@SAMTEC.com code: 55322

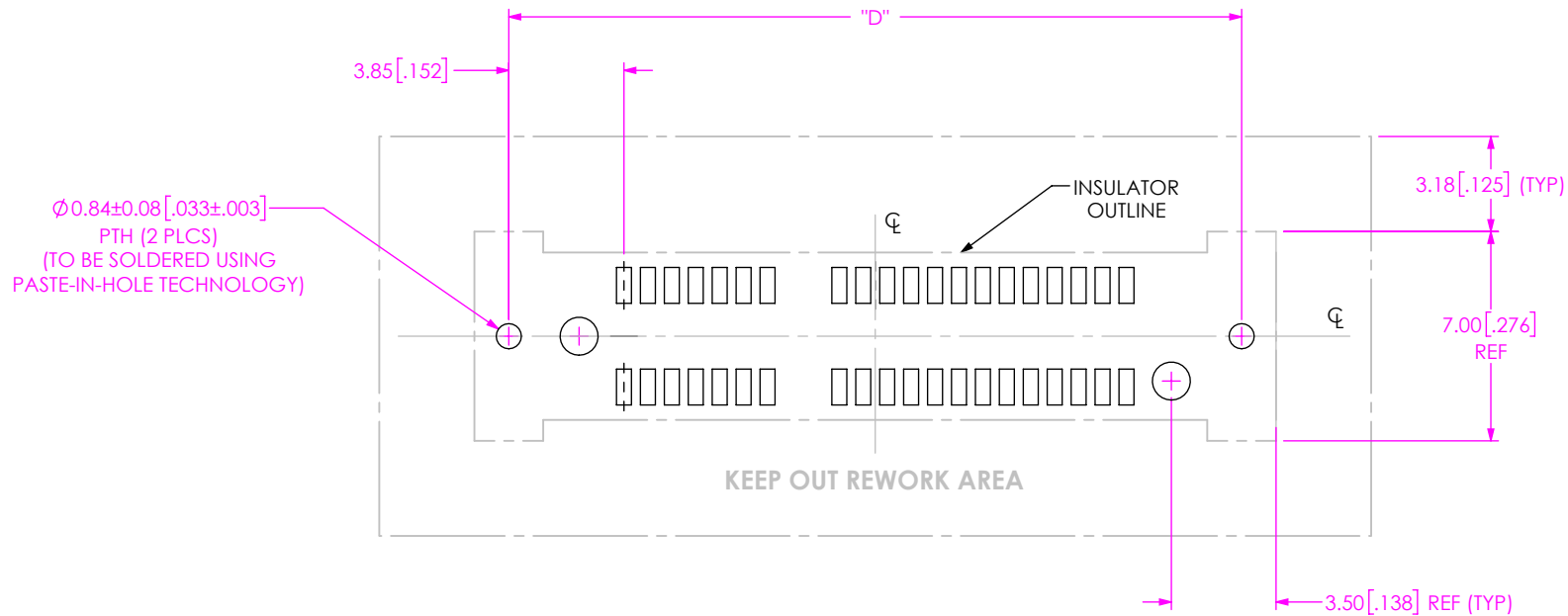


TABLE 2

No OF PAIRS	"D"
-08	19.70 [.776]
-12	24.50 [.965]
-16	29.30 [1.154]
-20	34.10 [1.343]
-32	48.50 [1.909]
-56	77.30 [3.043]

FIG 2
 HSEC8-112-01-X-DP-A-WT FOOTPRINT SHOWN
 (DIFFERENT AS SHOWN, OTHERWISE SAME AS FIG 1)

PROPRIETARY NOTE
 THIS DOCUMENT CONTAINS CONFIDENTIAL AND PROPRIETARY INFORMATION AND ALL DESIGN, MANUFACTURING, REPRODUCTION, USE, PATENT RIGHTS AND SALES RIGHTS ARE EXPRESSLY RESERVED BY SAMTEC, INC. THIS DOCUMENT SHALL NOT BE DISCLOSED, IN WHOLE OR PART, TO ANY UNAUTHORIZED PERSON OR ENTITY NOR REPRODUCED, TRANSFERRED OR INCORPORATED IN ANY OTHER PROJECT IN ANY MANNER WITHOUT THE EXPRESS WRITTEN CONSENT OF SAMTEC, INC.

samtec
 520 PARK EAST BLVD, NEW ALBANY, IN 47150
 PHONE: 812-944-6733 FAX: 812-948-5047
 e-Mail: info@SAMTEC.com code: 55322

NOTE: STENCIL TO BE 0.15[.006] THICK.

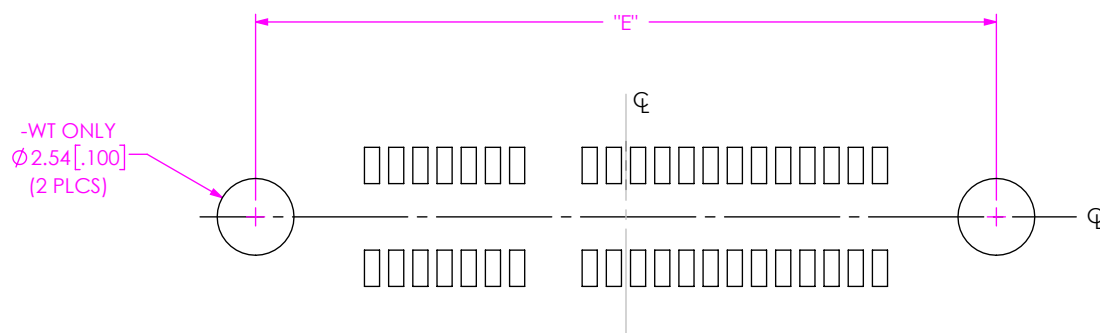


TABLE 3	
No OF PAIRS	"E"
-08	19.70 [.776]
-12	24.50 [.965]
-16	29.30 [1.154]
-20	34.10 [1.343]
-32	48.50 [1.909]
-56	77.30 [3.043]

FIG 3
 HSEC8-112-01-X-DP-A-WT STENCIL SHOWN
 (DIFFERENT AS SHOWN, OTHERWISE SAME AS FIG 2)

PROPRIETARY NOTE
 THIS DOCUMENT CONTAINS CONFIDENTIAL AND PROPRIETARY INFORMATION AND ALL DESIGN, MANUFACTURING, REPRODUCTION, USE, PATENT RIGHTS AND SALES RIGHTS ARE EXPRESSLY RESERVED BY SAMTEC, INC. THIS DOCUMENT SHALL NOT BE DISCLOSED, IN WHOLE OR PART, TO ANY UNAUTHORIZED PERSON OR ENTITY NOR REPRODUCED, TRANSFERRED OR INCORPORATED IN ANY OTHER PROJECT IN ANY MANNER WITHOUT THE EXPRESS WRITTEN CONSENT OF SAMTEC, INC.



520 PARK EAST BLVD, NEW ALBANY, IN 47150
 PHONE: 812-944-6733 FAX: 812-948-5047
 e-Mail: info@SAMTEC.com code: 55322

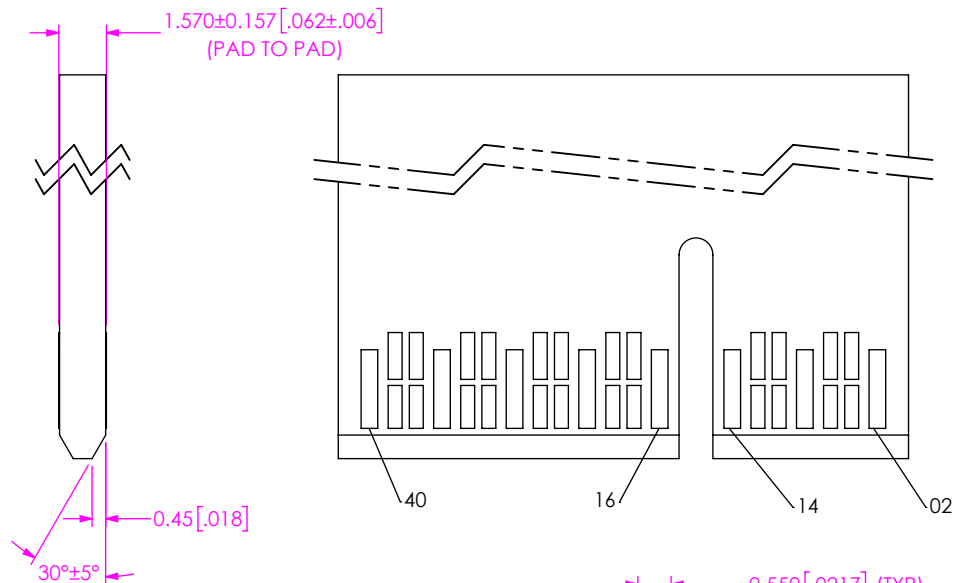
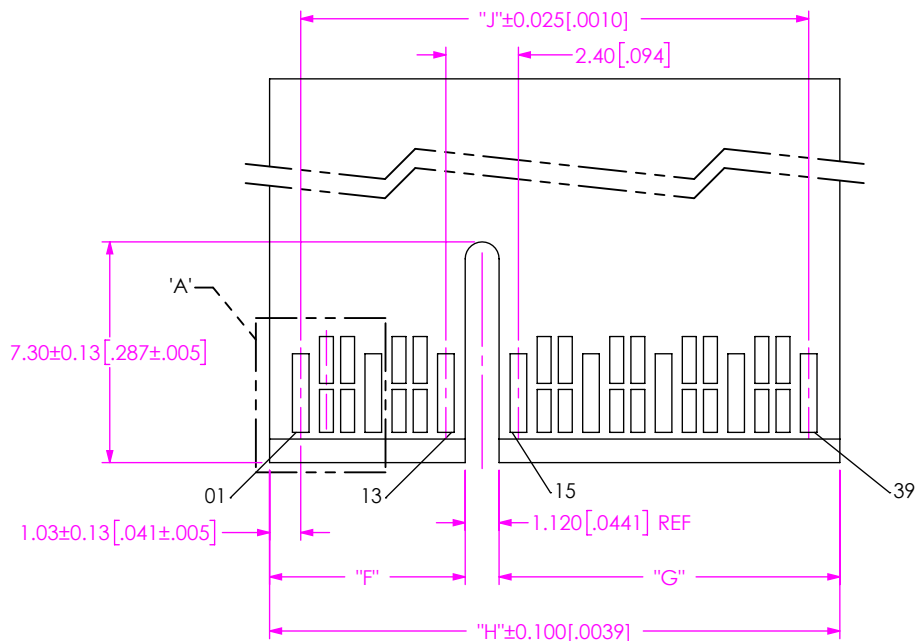
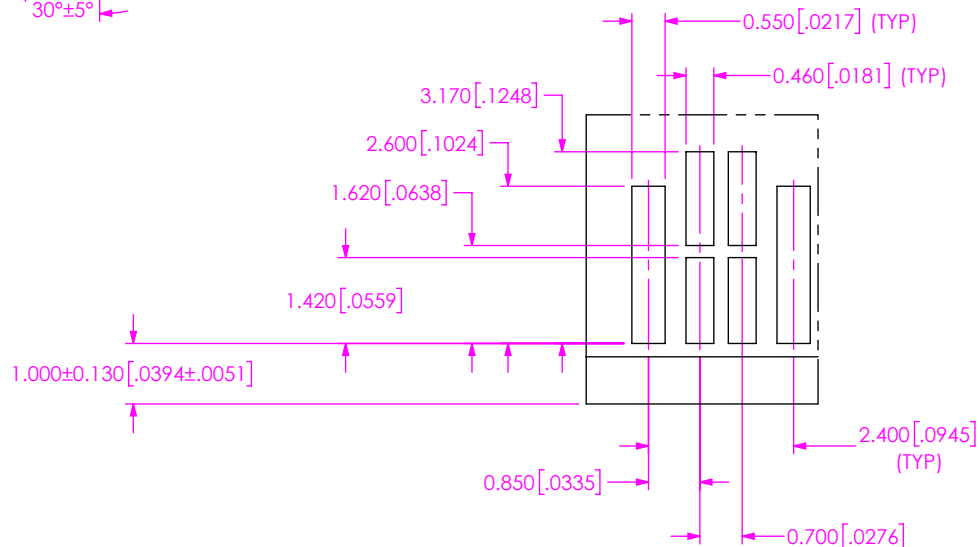


FIG 4
HSEC8-112-01-X-DP-X-XX MATING CARD SHOWN

TABLE 4

No OF PAIRS	"F"	"G"	"H"	"J"
-08	4.07 [.160]	8.87 [.349]	14.06 [.554]	12.00 [.472]
-12	6.47 [.255]	11.27 [.444]	18.86 [.743]	16.80 [.661]
-16	8.87 [.349]	13.67 [.538]	23.66 [.931]	21.60 [.850]
-20	11.27 [.444]	16.07 [.633]	28.46 [1.120]	26.40 [1.039]
-32	18.47 [.727]	23.27 [.916]	42.86 [1.687]	40.80 [1.606]
-56	32.87 [1.294]	37.67 [1.483]	71.66 [2.821]	69.60 [2.740]



DETAIL 'A'
SCALE 8 : 1

NOTES:

1. ALL DIMENSIONS ARE SYMMETRIC ABOUT THE CENTERLINE.
2. PLATING TO BE .000030 INCHES GOLD WITH A HARDNESS OF 130-200 KNOOP PER ASTM B 488 TYPE 2, GRADE C.
3. FOR PROPER CONTACT REGISTRATION, PLATING BUS TIES TO BE THE WIDTH OF THE EDGE FINGER.

F:\DWG\MISC\Mktg\Footprint\HSEC8-1XX-XX-X-DP-A-XX-FOOTPRINT.SLDDRW

PROPRIETARY NOTE
THIS DOCUMENT CONTAINS CONFIDENTIAL AND PROPRIETARY INFORMATION AND ALL DESIGN, MANUFACTURING, REPRODUCTION, USE, PATENT RIGHTS AND SALES RIGHTS ARE EXPRESSLY RESERVED BY SAMTEC, INC. THIS DOCUMENT SHALL NOT BE DISCLOSED, IN WHOLE OR PART, TO ANY UNAUTHORIZED PERSON OR ENTITY NOR REPRODUCED, TRANSFERRED OR INCORPORATED IN ANY OTHER PROJECT IN ANY MANNER WITHOUT THE EXPRESS WRITTEN CONSENT OF SAMTEC, INC.



520 PARK EAST BLVD, NEW ALBANY, IN 47150
PHONE: 812-944-6733 FAX: 812-948-5047
e-Mail: info@SAMTEC.com code: 55322

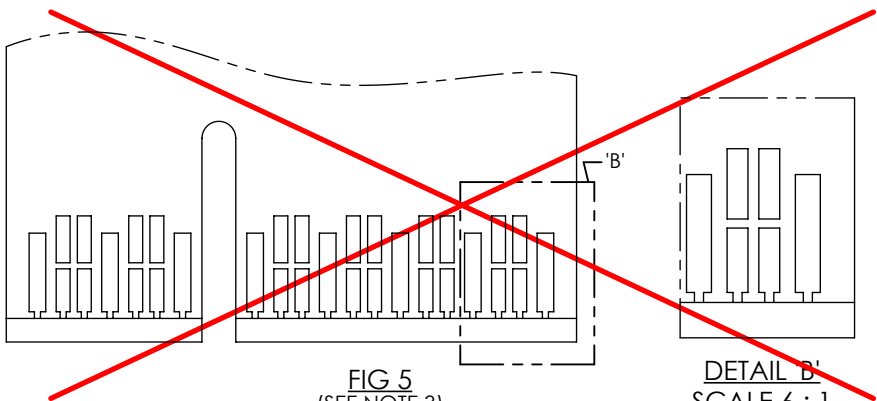


FIG 5
(SEE NOTE 3)

DETAIL 'B'
SCALE 6 : 1