

SUMMARY

Wires

Low voltage 4



Image is for illustrative purpose only

Series 2P
Termination type Male crimp
IP rating 50
AWG wire size 28.00 - 20.00
Cable Ø 7.30 - 9.20 mm
Status active
Matching parts [CKB.M04.GYMG](#)

Download

[Request a quote](#)

[Eplan](#)

[Catalog](#)

TECHNICAL DETAILS

Mechanics

Shell Style/Model CA*: Straight plug with cable collet
Keying 3 keys (alpha=0, gamma=60; Plug: male contacts; Receptacle: female contacts)
Housing Material PSU (Polysulfone), gray
Weight 8.82 g

Performance

Configuration 2P.M04 : 4 Low V.
Insulator Y: PEEK for crimp contacts
Rated Current 15 Amps

Specifications

Test voltage (kV rms) Contact-contact: 1.85
Air clearance min.: 2.25 mm
Creepage distance min.: 2.25 mm

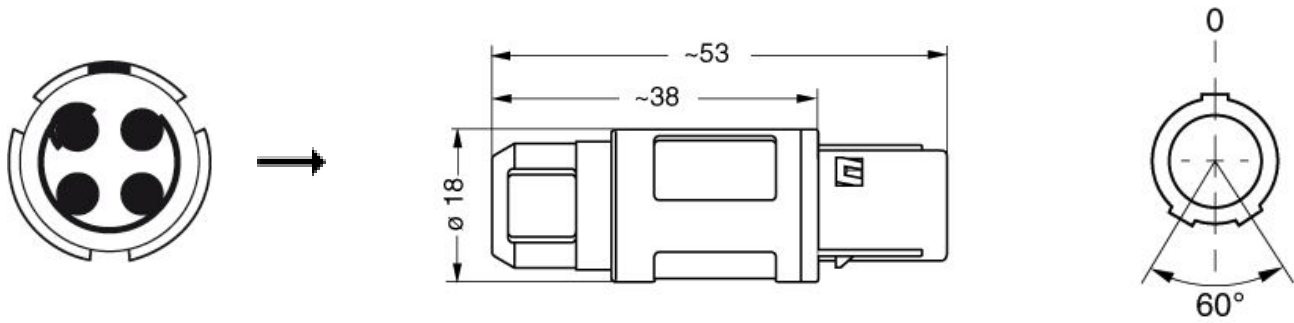
Others

Endurance (Shell): >1000 mating cycles
F ret (min): 150 N
F ret (max): 250 N

LEMO products and services are provided "as is". LEMO makes no warranties or representations with regard to LEMO product & services or use of them, express, implied or statutory, including for accuracy, completeness, or security. The user is fully responsible for his products and applications using LEMO components.

Steam sterilization: 20 times (with potting on rear connection)

DRAWINGS



Dimensions

	A	L
mm.	18	53
in.	0,71	2,09

RECOMMENDED BY LEMO

Tools

Crimp Tool:	DPC.91.701.V
Crimp settings:	AWG/Selector = 18-20/8-7
Positionner:	DCE.91.132.BVC
Extractor:	DCF.91.131.2LT
Replacement contact:	FGG.2B.565.ZZC

Cables

LEMO products and services are provided "as is". LEMO makes no warranties or representations with regard to LEMO product & services or use of them, express, implied or statutory, including for accuracy, completeness, or security. The user is fully responsible for his products and applications using LEMO components.