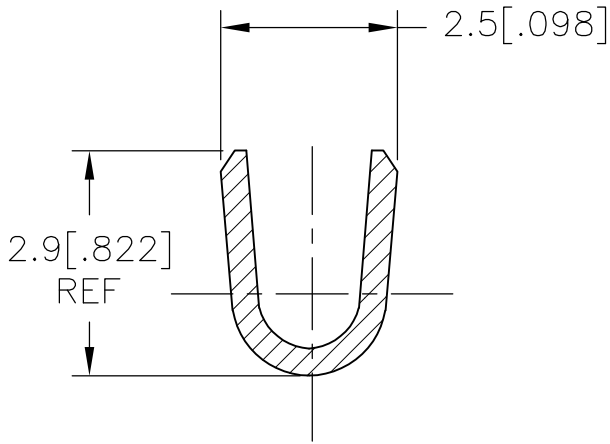
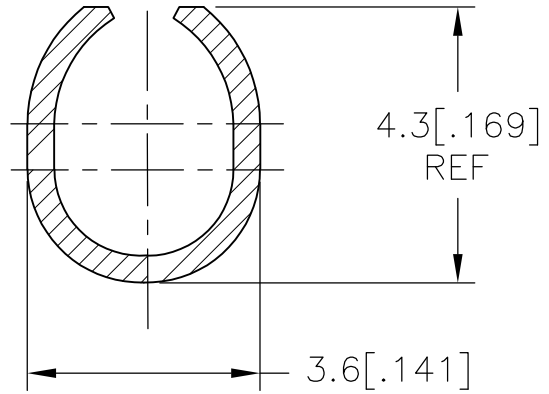


REVISIONS				
P	LTR	DESCRIPTION	DATE	APVD
	A	NEW DRAWING	21NOV2016	RS TD



WIRE BARREL



INSULATION BARREL

OBSOLETE	PRE TINNED	BRASS	160691-7	927899-8	A
OBSOLETE	PRE TINNED	PHBRONZE	160691-7	927899-7	A
OBSOLETE	UNPLATED	PHBRONZE	160691-6	927899-6	A
OBSOLETE	SILVER PLATED	BRASS	160691-5	927899-5	A
OBSOLETE	TIN PLATED	PHBRONZE	160691-4	927899-4	A
OBSOLETE	UNPLATED	PHBRONZE	160691-3	927899-3	A
	TIN PLATED	BRASS	160691-2	927899-2	A
OBSOLETE	UNPLATED	BRASS	160691-1	927899-1	A
	FINISH	MATERIAL	STRIP NO.	PART NO.	REV.

RELEASED FOR PUBLICATION

ALL RIGHTS RESERVED.

THIS DRAWING IS UNPUBLISHED.

COPYRIGHT - By -

DIMENSIONS:
mm [INCHES]

DWN RAVI S 21NOV2016

MATERIAL SEE TABLE

FINISH SEE TABLE

TOLERANCES UNLESS OTHERWISE SPECIFIED:

CHK LI DAISY 21NOV2016

APVD DING TIM 21NOV2016



TE Connectivity

- 0 PLC ± -
- 1 PLC ± 0.4 [.015]
- 2 PLC ± 0.4 [.015]
- 3 PLC ± 0.4 [.015]
- 4 PLC ± -
- ANGLES ± -

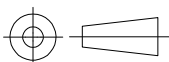
PRODUCT SPEC
0.3-0.8 mm²

NAME
.250 SERIES FASTIN-ON TAB ACC.
TO DIN (LOOSE PIECE)

APPLICATION SPEC
ø2.1-3.1 mm

SIZE	CAGE CODE	DRAWING NO	RESTRICTED TO
A4	00779	C-927899	-

WEIGHT -



CUSTOMER DRAWING

SCALE 1:1 SHEET 1 OF 1

REV A