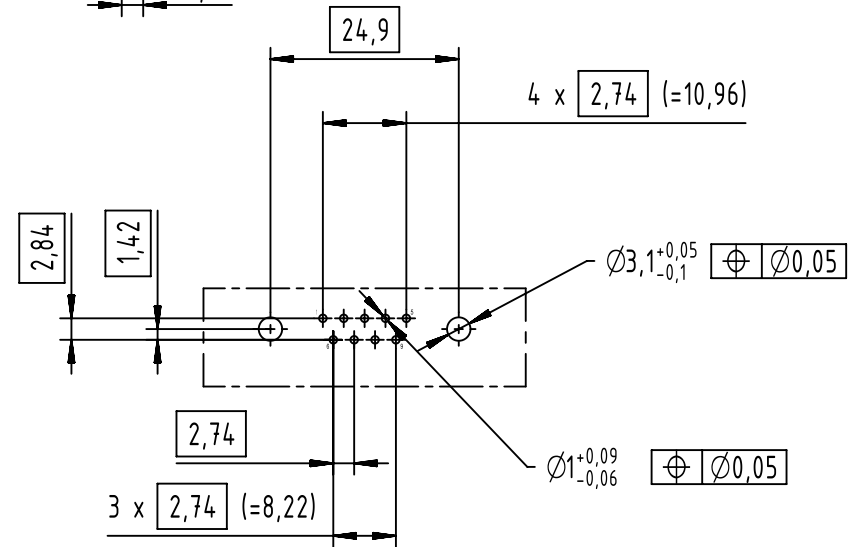
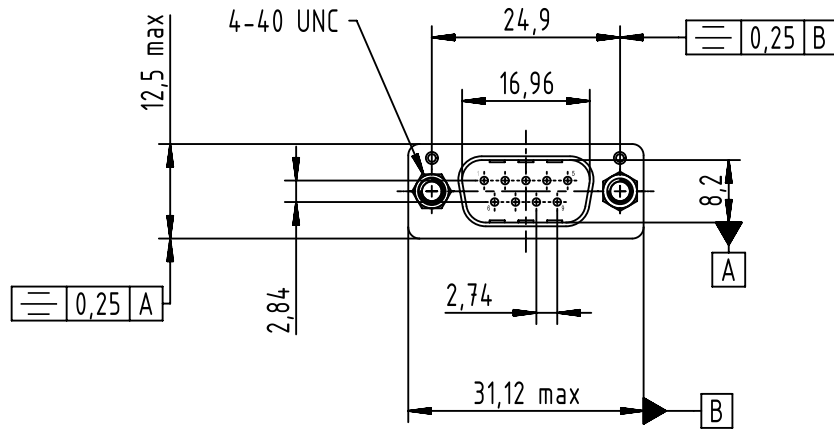


PC-Board layout
view component side
thickness up to 3,2 mm



	All Dimensions in mm Original Size DIN A4		Scale 1:1	Free size tol.		Ref.
			Created by DOUGE	Inspected by BAGDIKIAN	Standardisation HOFFMANN	Sub.
All rights reserved		Date 2014-04-04		State Final Release		
Department EC PD - FR		Title D-Sub 9-pole male straight press-in				Doc-Key / ECM-Nr. 10057124.0/UGD/001/A 500000072522
HARTING Electronics GmbH		Type TB		Number 0966164X717		Rev. A
D-32339 Espelkamp						Page 1/1

09661647717	3	5,7	4,35
09661646717	2	5,7	4,35
09661645717	S4 PdNi	5,7	4,35
Port number	Performance Level	A +/- 0,2	B +/- 0,2