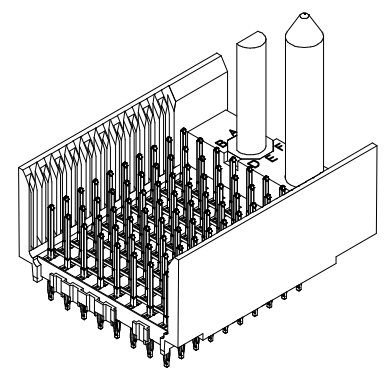
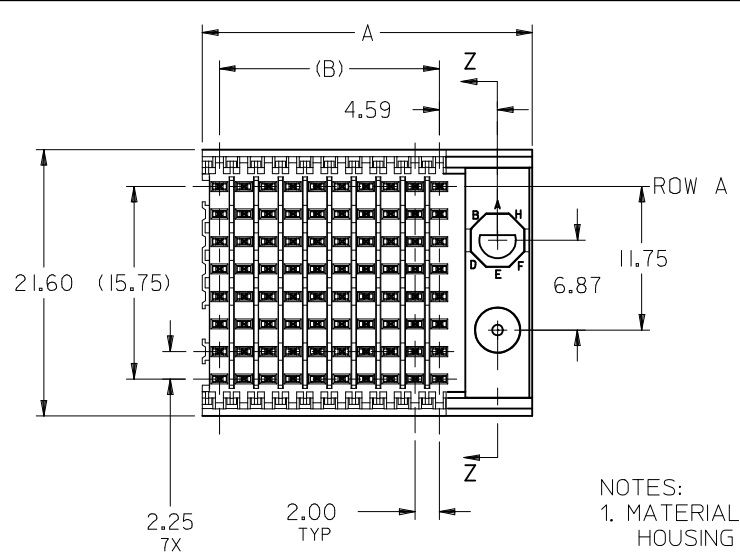
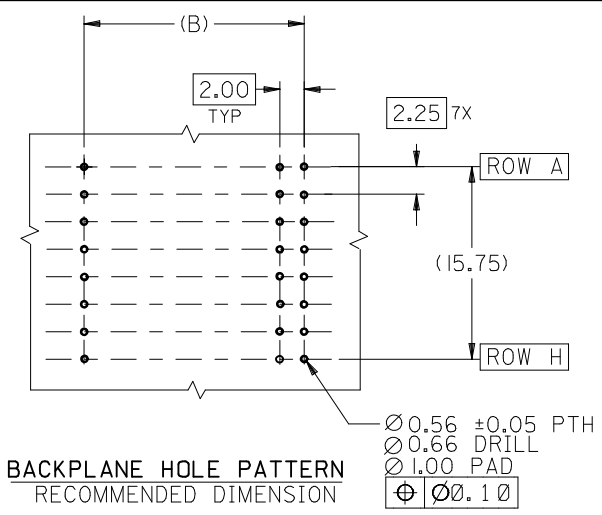
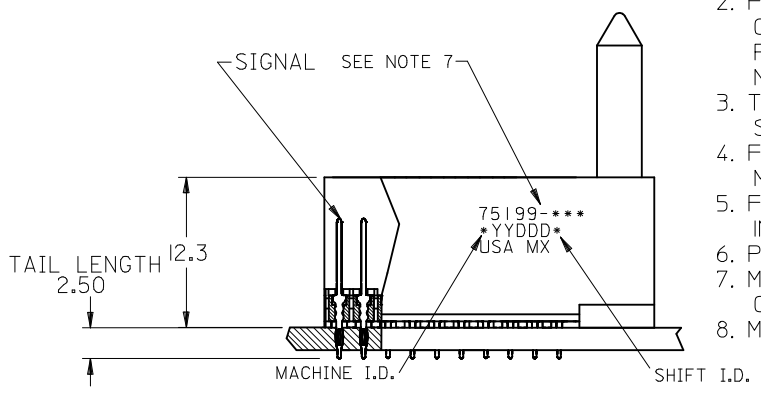
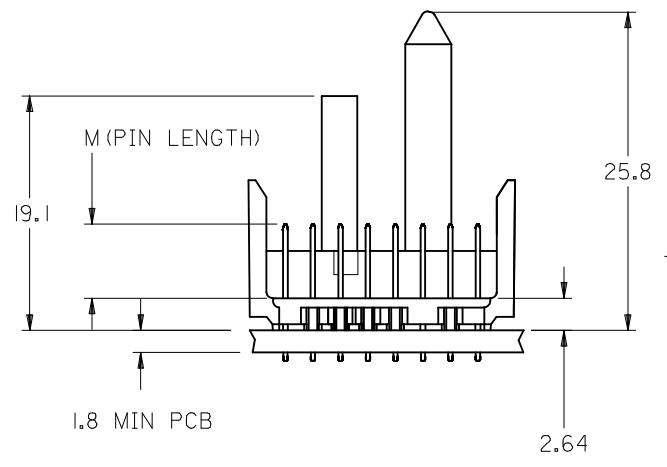


10 9 8 7 6 5 4 3 2 1



- NOTES:
- MATERIALS:
HOUSING - LIQUID CRYSTAL POLYMER (LCP),
GLASS-FILLED, UL 94V-0, COLOR: BLACK
SIGNAL PIN - COPPER ALLOY
 - FINISHES:
CONTACT AREA: SELECTIVE GOLD (Au)
PCB TAILS: SELECTIVE MATTE TIN (Sn)
NICKEL (Ni) OVERALL.
 - THIS PART CONFORMS TO MOLEX PRODUCT SPECIFICATION PS-74031-999
 - FOR MIXED CONTACT LENGTHS CONSULT MOLEX FOR AVAILABILITY
 - FOR SPECIFIC MATERIAL NUMBERS & MATING INFORMATION REFER TO SHEET 2
 - PACKAGE PER PK-74061-003
 - MARK PART WITH PART NUMBER & DATE CODE APPROXIMATELY WHERE SHOWN
 - MAPS (MOLEX ADVANCED PLATING SYSTEM).

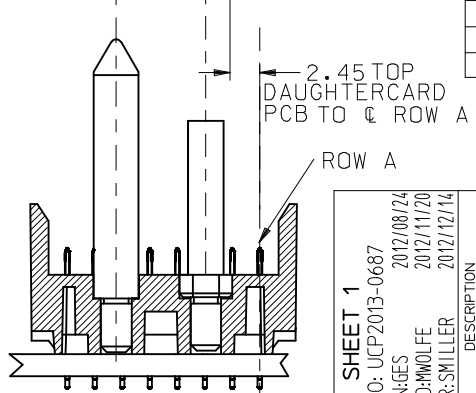
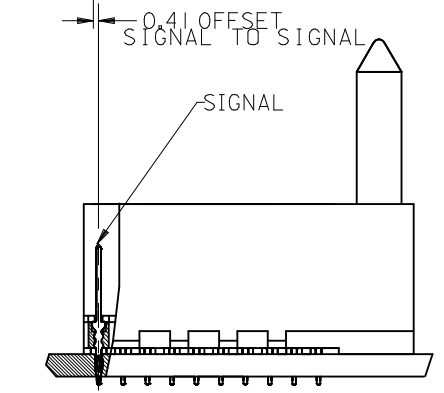
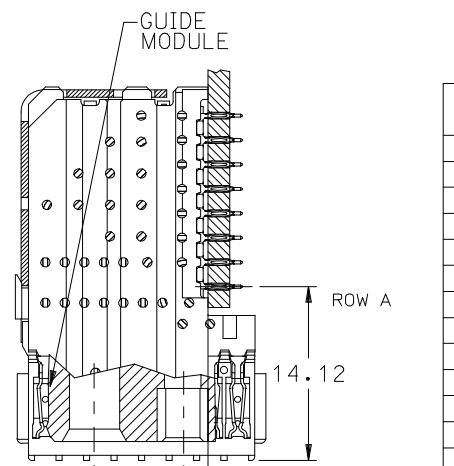
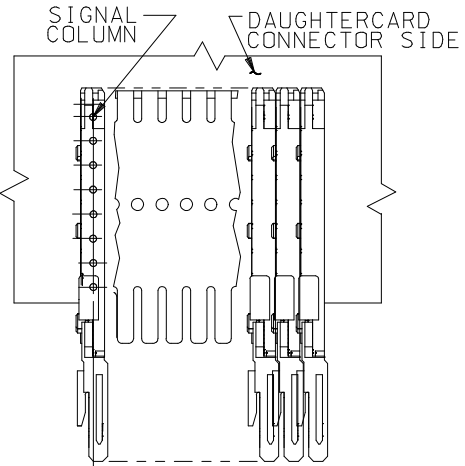
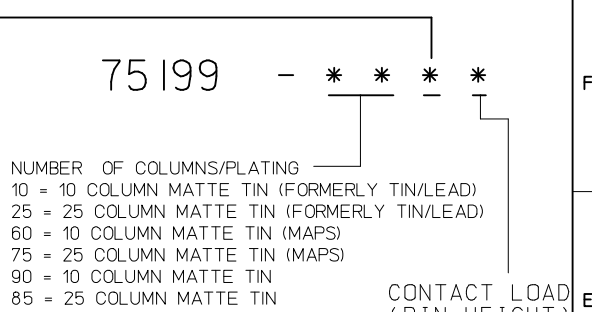
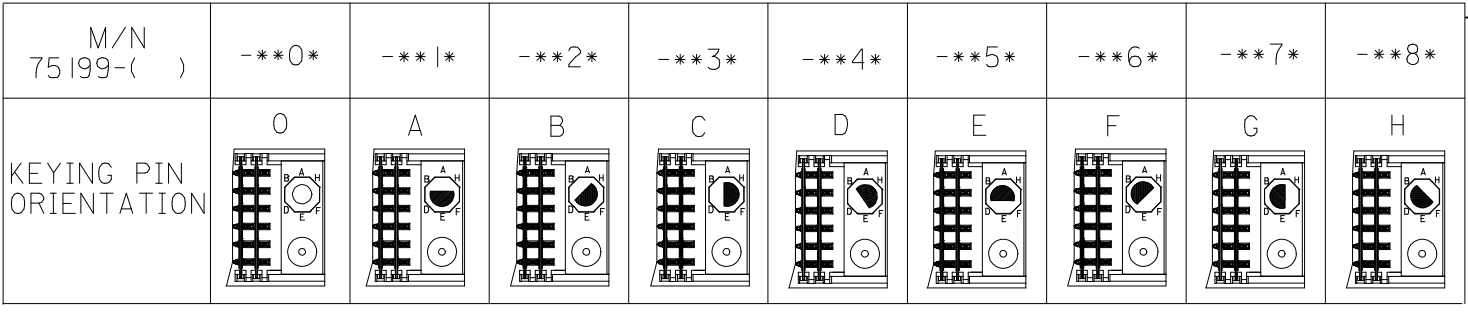


THE PRIMARY CARTON WITH A LABEL STATING "ELV AND RoHS COMPLAINT" IS LEAD FREE. CARTONS WITHOUT THIS LABEL MAY CONTAIN LEAD.

LEAD FREE CONVERSION EC NO: UCP2013-0687 DRAWINGS 2012/08/24 CHKD:MMOLFE 2012/11/20 APPR:SMILLER 2012/12/14 G	QUALITY SYMBOLS $\nabla F=0$ $\nabla F=0$ $\nabla F=0$	GENERAL TOLERANCES (UNLESS SPECIFIED) mm INCH 4 PLACES \pm --- \pm --- 3 PLACES \pm --- \pm --- 2 PLACES \pm --- \pm --- 1 PLACE \pm --- \pm --- 0 PLACE \pm \pm	DIMENSION STYLE MM ONLY DRAWN BY DATE JMELTON 2010/05/19 CHECKED BY DATE SDANNELLEY 2010/05/19 APPROVED BY DATE SMILLER 2010/07/14	SCALE 2.5:1 DESIGN UNITS METRIC THIRD ANGLE PROJECTION	TITLE VHDM LITE 8 ROW SHIELD END BACKPLANE SALES ASSEMBLY molex	MATERIAL NO. SEE SHT.2	DOCUMENT NO. SD-75199-001	SHEET NO. 1 OF 2
		ANGULAR $\pm 1/2^\circ$ DRAFT WHERE APPLICABLE MUST REMAIN WITHIN DIMENSIONS	THIS DRAWING CONTAINS INFORMATION THAT IS PROPRIETARY TO MOLEX INCORPORATED AND SHOULD NOT BE USED WITHOUT WRITTEN PERMISSION					
		SIZE B						

9 8 7 6 5 4 3 2 1

10 9 8 7 6 5 4 3 2 1



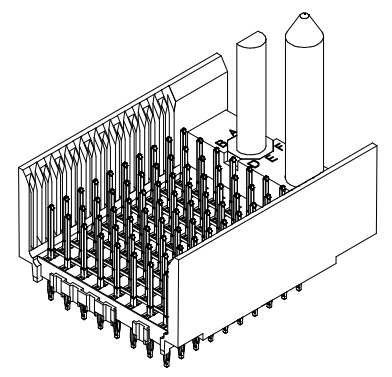
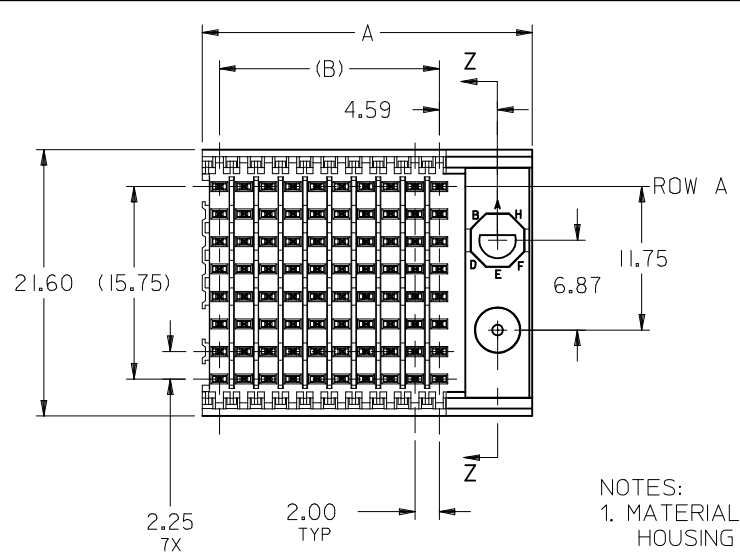
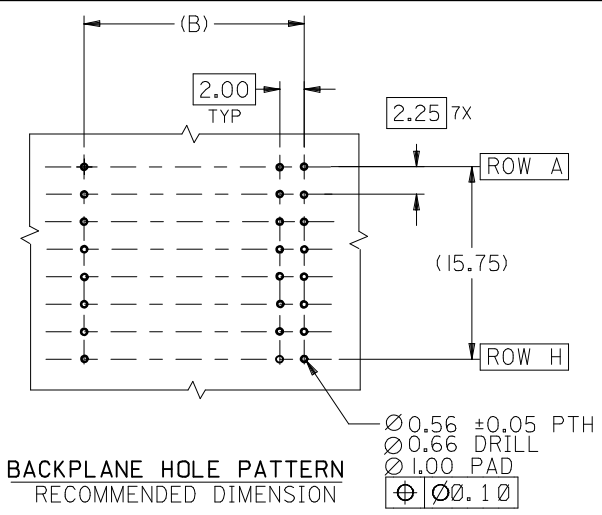
PART NUMBER	COLUMN	NUMBER OF SIGNAL PIN	NUMBER OF SHIELD	A	B	M	GOLD THICKNESS MICROMETER	TIN THICKNESS MICROMETER
75199-60*1	10	80	0	27.00	18.00	4.75	0.25 MAPS	0.76-152
75199-*0*1							0.76	
75199-75*1	25	200	0	57.00	48.00	6.25	0.25 MAPS	
75199-*5*1							0.76	
75199-60*2	10	80	0	27.00	18.00	6.25	0.25 MAPS	
75199-*0*2							0.76	
75199-75*2	25	200	0	57.00	48.00	4.25	0.25 MAPS	
75199-*5*2							0.76	
75199-60*3	10	80	0	27.00	18.00	5.15	0.25 MAPS	
75199-*0*3							0.76	
75199-75*3	25	200	0	57.00	48.00	5.15	0.25 MAPS	
75199-*5*3							0.76	
75199-60*4	10	80	0	27.00	18.00	5.15	0.25 MAPS	
75199-*0*4							0.76	
75199-75*4	25	200	0	57.00	48.00	5.15	0.25 MAPS	
75199-*5*4							0.76	

SECTION Z-Z
ROTATED 90°

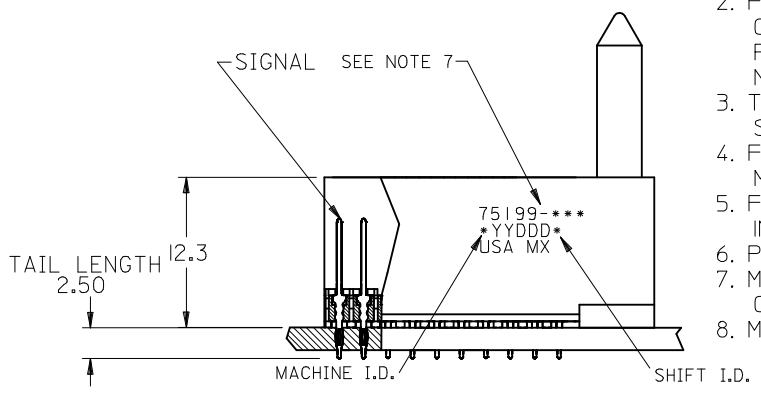
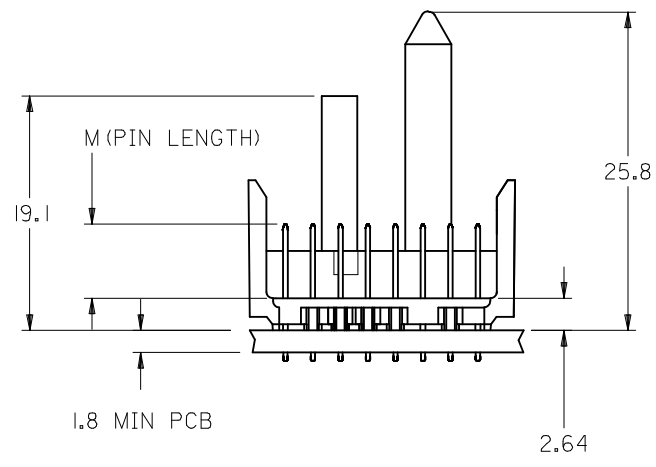
<p>SEE SHEET 1</p> <p>EC NO: UCP2013-0687</p> <p>DRWNGES 2012/08/24</p> <p>CHKD:MMOLFE 2012/11/20</p> <p>APPR:SMILLER 2012/12/14</p>	<p>QUALITY SYMBOLS</p> <p>▽=0</p> <p>▽=0</p> <p>▽=0</p>	<p>GENERAL TOLERANCES (UNLESS SPECIFIED)</p> <table border="1"> <thead> <tr> <th></th> <th>mm</th> <th>INCH</th> </tr> </thead> <tbody> <tr> <td>4 PLACES</td> <td>± ---</td> <td>± ---</td> </tr> <tr> <td>3 PLACES</td> <td>± ---</td> <td>± ---</td> </tr> <tr> <td>2 PLACES</td> <td>± ---</td> <td>± ---</td> </tr> <tr> <td>1 PLACE</td> <td>± ---</td> <td>± ---</td> </tr> <tr> <td>0 PLACE</td> <td>±</td> <td>±</td> </tr> </tbody> </table>		mm	INCH	4 PLACES	± ---	± ---	3 PLACES	± ---	± ---	2 PLACES	± ---	± ---	1 PLACE	± ---	± ---	0 PLACE	±	±	<p>DIMENSION STYLE</p> <p>MM ONLY</p>	<p>SCALE</p> <p>2.5:1</p>	<p>DESIGN UNITS</p> <p>METRIC</p>	<p>THIRD ANGLE PROJECTION</p>
			mm	INCH																				
		4 PLACES	± ---	± ---																				
3 PLACES	± ---	± ---																						
2 PLACES	± ---	± ---																						
1 PLACE	± ---	± ---																						
0 PLACE	±	±																						
<p>ANGULAR ±1/2°</p> <p>DRAFT WHERE APPLICABLE</p> <p>MUST REMAIN WITHIN DIMENSIONS</p>	<p>DRAWN BY</p> <p>JMELTON</p> <p>DATE</p> <p>2010/05/19</p>	<p>CHECKED BY</p> <p>SDANNELLEY</p> <p>DATE</p> <p>2010/05/19</p>	<p>TITLE</p> <p>VHDM LITE 8 ROW SHIELD END BACKPLANE SALES ASSEMBLY</p>																					
<p>SIZE</p> <p>B</p>	<p>MATERIAL NO.</p> <p>SEE TABLE</p>	<p>APPROVED BY</p> <p>SMILLER</p> <p>DATE</p> <p>2010/07/14</p>	<p>DOCUMENT NO.</p> <p>SD-75199-001</p>			<p>SHEET NO.</p> <p>2 OF 2</p>																		

9 8 7 6 5 4 3 2 1

10 9 8 7 6 5 4 3 2 1



- NOTES:
- MATERIALS:
HOUSING - LIQUID CRYSTAL POLYMER (LCP),
GLASS-FILLED, UL 94V-0, COLOR: BLACK
SIGNAL PIN - COPPER ALLOY
 - FINISHES:
CONTACT AREA: SELECTIVE GOLD (Au)
PCB TAILS: SELECTIVE MATTE TIN (Sn)
NICKEL (Ni) OVERALL.
 - THIS PART CONFORMS TO MOLEX PRODUCT SPECIFICATION PS-74031-999
 - FOR MIXED CONTACT LENGTHS CONSULT MOLEX FOR AVAILABILITY
 - FOR SPECIFIC MATERIAL NUMBERS & MATING INFORMATION REFER TO SHEET 2
 - PACKAGE PER PK-74061-003
 - MARK PART WITH PART NUMBER & DATE CODE APPROXIMATELY WHERE SHOWN
 - MAPS (MOLEX ADVANCED PLATING SYSTEM).

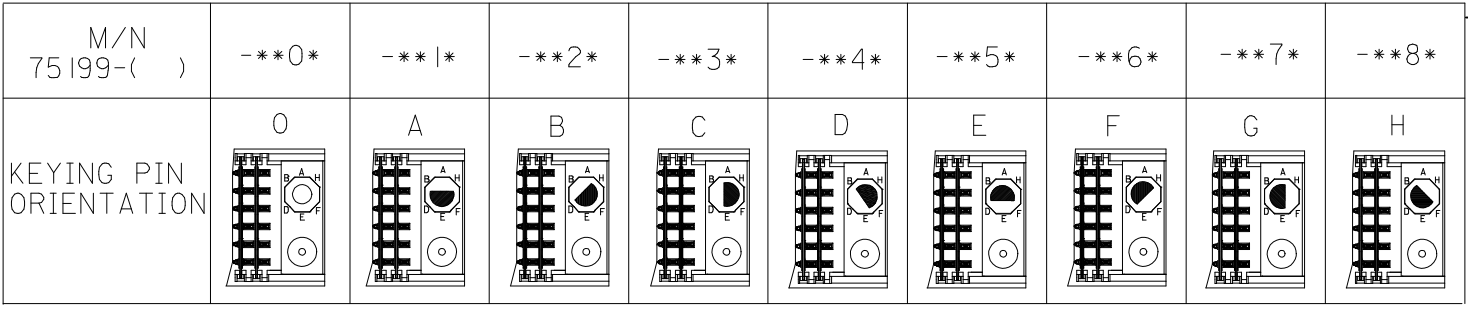


THE PRIMARY CARTON WITH A LABEL STATING "ELV AND RoHS COMPLAINT" IS LEAD FREE. CARTONS WITHOUT THIS LABEL MAY CONTAIN LEAD.

LEAD FREE CONVERSION EC NO: UCP2013-0687 DRAWINGS 2012/08/24 CHKD:MMOLFE 2012/11/20 APPR:SMILLER 2012/12/14 G	QUALITY SYMBOLS $\nabla F=0$ $\nabla F=0$ $\nabla F=0$	GENERAL TOLERANCES (UNLESS SPECIFIED) mm INCH 4 PLACES \pm --- \pm --- 3 PLACES \pm --- \pm --- 2 PLACES \pm --- \pm --- 1 PLACE \pm --- \pm --- 0 PLACE \pm \pm	DIMENSION STYLE MM ONLY DRAWN BY DATE JMELTON 2010/05/19 CHECKED BY DATE SDANNELLEY 2010/05/19 APPROVED BY DATE SMILLER 2010/07/14	SCALE 2.5:1 DESIGN UNITS METRIC THIRD ANGLE PROJECTION	TITLE VHDM LITE 8 ROW SHIELD END BACKPLANE SALES ASSEMBLY molex	MATERIAL NO. SEE SHT.2	DOCUMENT NO. SD-75199-001	SHEET NO. 1 OF 2
		ANGULAR $\pm 1/2^\circ$ DRAFT WHERE APPLICABLE MUST REMAIN WITHIN DIMENSIONS	THIS DRAWING CONTAINS INFORMATION THAT IS PROPRIETARY TO MOLEX INCORPORATED AND SHOULD NOT BE USED WITHOUT WRITTEN PERMISSION					
		SIZE B						

9 8 7 6 5 4 3 2 1

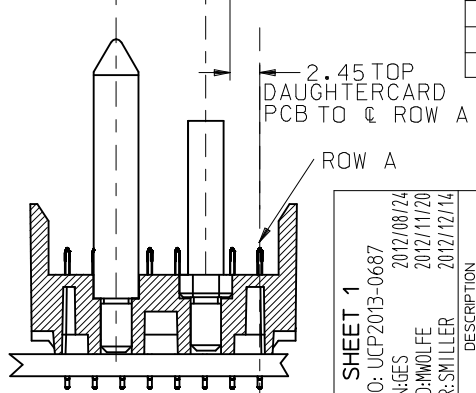
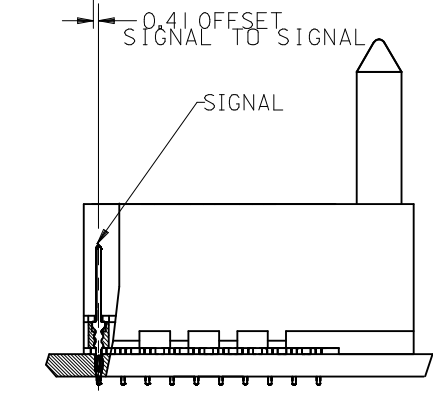
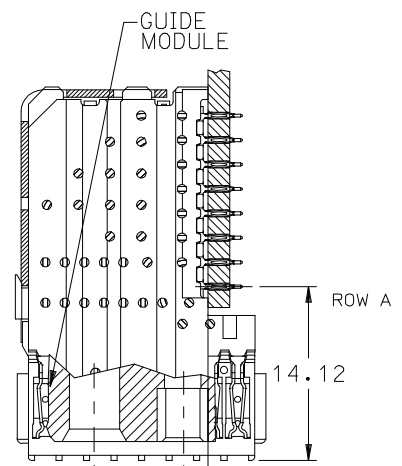
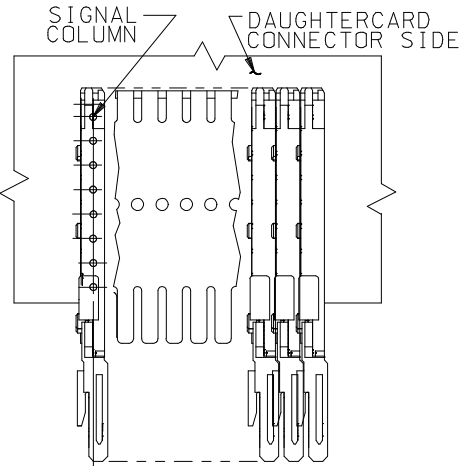
10 9 8 7 6 5 4 3 2 1



75199 - * * * *

NUMBER OF COLUMNS/PLATING
 10 = 10 COLUMN MATTE TIN (FORMERLY TIN/LEAD)
 25 = 25 COLUMN MATTE TIN (FORMERLY TIN/LEAD)
 60 = 10 COLUMN MATTE TIN (MAPS)
 75 = 25 COLUMN MATTE TIN (MAPS)
 90 = 10 COLUMN MATTE TIN
 85 = 25 COLUMN MATTE TIN

CONTACT LOAD
(PIN HEIGHT)
 1 = 4.75
 2 = 6.25
 3 = 4.25
 4 = 5.15



SECTION Z-Z
ROTATED 90°

PART NUMBER	COLUMN	NUMBER OF SIGNAL PIN	NUMBER OF SHIELD	A	B	M	GOLD THICKNESS MICROMETER	TIN THICKNESS MICROMETER
75199-60*1	10	80	0	27.00	18.00	4.75	0.25 MAPS	0.76-152
75199-*0*1							0.76	
75199-75*1	25	200	0	57.00	48.00	6.25	0.25 MAPS	
75199-*5*1							0.76	
75199-60*2	10	80	0	27.00	18.00	6.25	0.25 MAPS	
75199-*0*2							0.76	
75199-75*2	25	200	0	57.00	48.00	4.25	0.25 MAPS	
75199-*5*2							0.76	
75199-60*3	10	80	0	27.00	18.00	5.15	0.25 MAPS	
75199-*0*3							0.76	
75199-75*3	25	200	0	57.00	48.00	5.15	0.25 MAPS	
75199-*5*3							0.76	
75199-60*4	10	80	0	27.00	18.00	5.15	0.25 MAPS	
75199-*0*4							0.76	
75199-75*4	25	200	0	57.00	48.00	5.15	0.25 MAPS	
75199-*5*4							0.76	

SEE SHEET 1 EC NO: UCP2013-0687 DRWNGES 2012/08/24 CHKD:MMOLFE 2012/11/20 APPR:SMILLER 2012/12/14 G	QUALITY SYMBOLS ▽=0 ▽=0 ▽=0	GENERAL TOLERANCES (UNLESS SPECIFIED)	DIMENSION STYLE MM ONLY	SCALE 2.5:1	DESIGN UNITS METRIC	THIRD ANGLE PROJECTION	
		4 PLACES ± --- ± --- 3 PLACES ± --- ± --- 2 PLACES ± --- ± --- 1 PLACE ± --- ± --- 0 PLACE ± ±	DRAWN BY JMELTON	DATE 2010/05/19	TITLE VHDM LITE 8 ROW SHIELD END BACKPLANE SALES ASSEMBLY		
		ANGULAR ±1/2° DRAFT WHERE APPLICABLE MUST REMAIN WITHIN DIMENSIONS	CHECKED BY SDANNELLEY	DATE 2010/05/19	molex		
		MATERIAL NO. SEE TABLE	APPROVED BY SMILLER	DATE 2010/07/14	DOCUMENT NO. SD-75199-001	SHEET NO. 2 OF 2	

9 8 7 6 5 4 3 2 1