

1 2 3 4 5 6 7

A

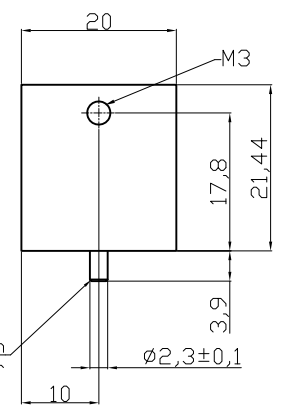
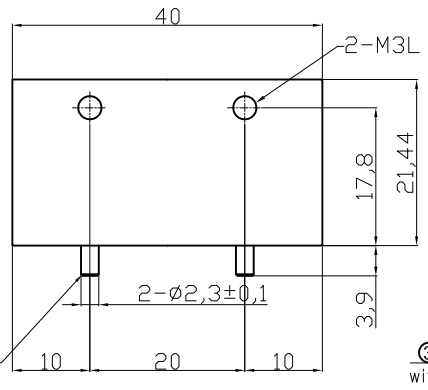
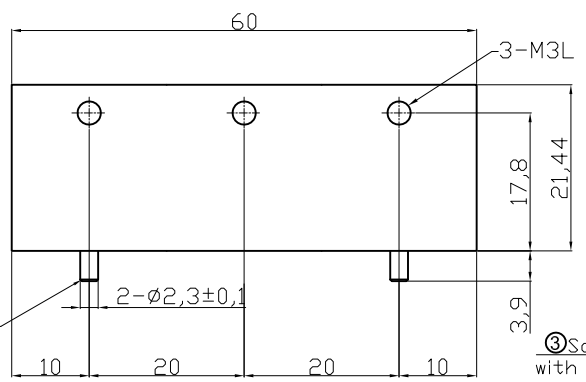
V8818V

V8818Q

V8818N

A

B



B

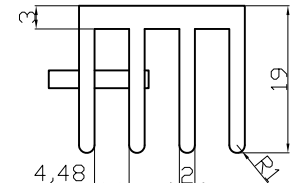
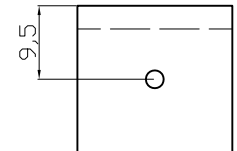
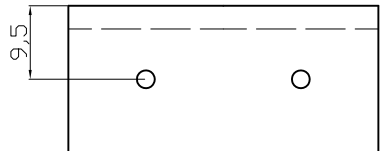
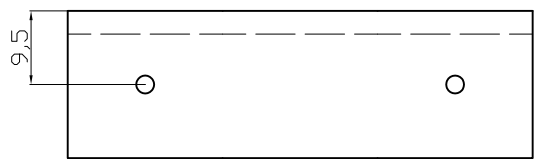
C

③ Solder Pin with chamfer

③ Solder Pin with chamfer

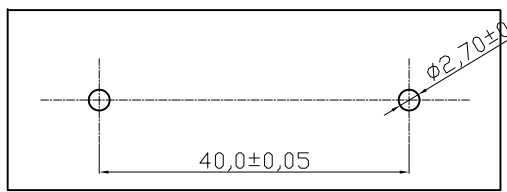
③ Solder Pin with chamfer

D

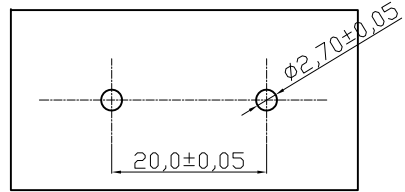


D

E



③ Recommended PCB Layout



③ Recommended PCB Layout

Notes
Material : AL6063-T5
Finished : Black Anodized

Option	Thermal resistance(K/W)
V8818N	10.1
V8818Q	8.8
V8818V	7.5

E

F

RoHS compliant
Unit: mm

Scale	Free					Date	Name	Customer-No.
TOLERANCE						Drawn	11.08.2009	Dean
X.	±X					Approved	24.02.2014	Amy
X.X	±X							
Unit	±0.20	③	Add PCB layout information	24.02.2014	Amy			
DIM	TOL	②	Modify drawing layout	10.03.2010	Alex			
X.°	±X°	①	Drawn	11.08.2009	Dean			
X.X°	±X°							
Angle	TOL	Id.	Modification	Date	Name			



Customer-No.	
ASSMANN WSW-No. V8818x	
Drawing-No. ASS 0873 HS	rev03
Replace	Sheet

F

G

G

H

H

1 2 3 4 5 6 7