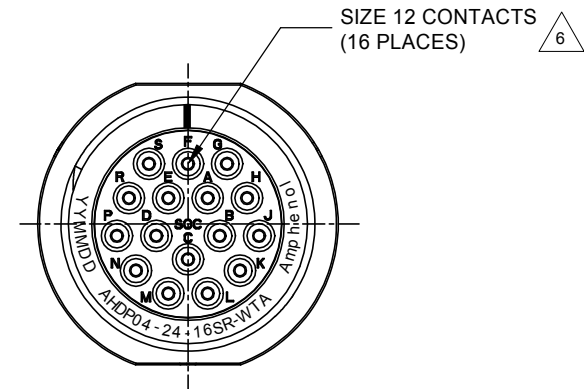
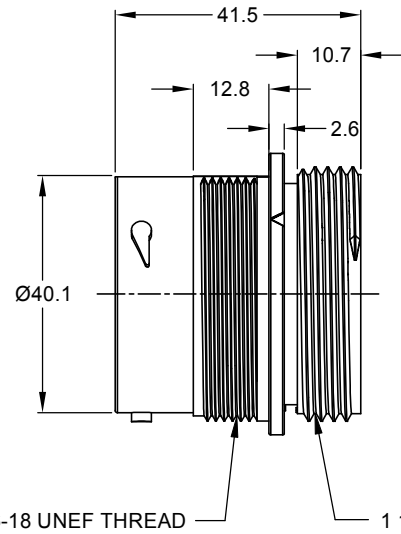
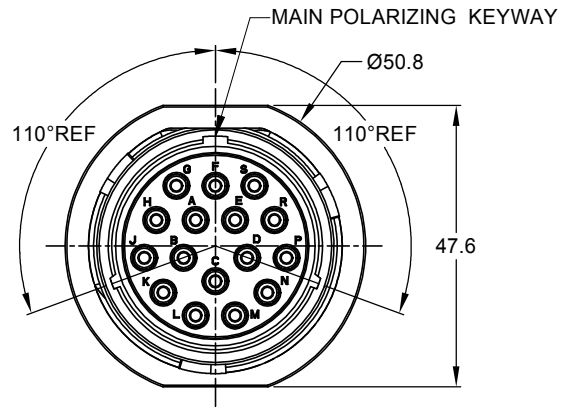


REVISIONS					
REV	ECO	DESCRIPTION	DATE	BY	APPR
A1	-	RELEASE NEW DRAWING	11MAY20	BROOK	TOMMY



NOTES: UNLESS OTHERWISE SPECIFIED

1. MATERIAL:

HOUSING: THERMOPLASTIC; BLACK  
SEAL: SILICONE RUBBER

2. MODIFICATIONS: THREADED ADAPTER(WTA);  
REDUCED DIA. WIRE SEAL.

3. SPECIFICATIONS:

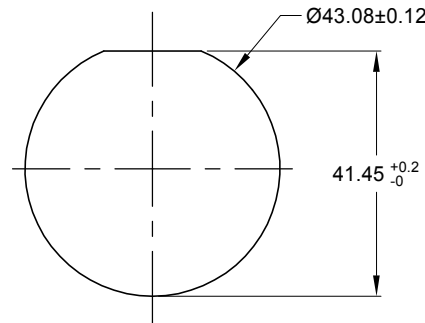
- 3.1 OPERATING TEMPERATURE: -55°C TO +125°C.
- 3.2 DIELECTRIC WITHSTANDING VOLTAGE: LESS THAN 2 MILLIAMPS CURRENT LEAKAGE @ 1500 VOLTS AC.
- 3.3 INSULATION RESISTANCE: 1000 MEGOHM MIN @ 25°C.
- 3.4 MOISTURE RESISTANCE: IP67&IP69K ( MATED CONDITION ).
- 3.5 MATING CYCLE DURABILITY: 100 CYCLES
- 3.6 RoHS COMPLIANT

4. MATING PART: AHDP06-24-16P\* (\* = SEAL TYPE )

5. ALL DIMENSIONS ARE FOR REFERENCE USE ONLY.

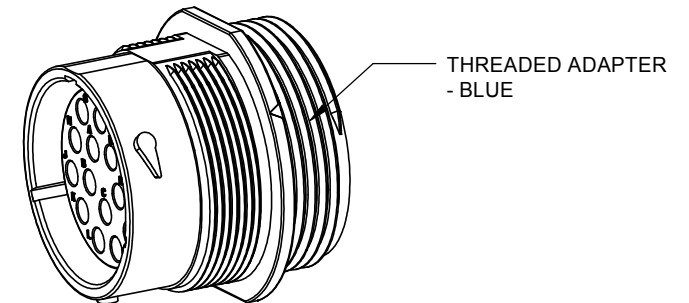
△ CONTACT SIZE AND WIRE RANGE:

CONTACT SIZE	MIN. INSUL O.D.	MAX. INSUL O.D.	TYPICAL WIRE RANGE	CURRENT RATING
12	2.46 mm (.097 in)	4.01 mm (.158 in)	10-14 AWG (6.0-2.0mm <sup>2</sup> )	25 AMPS



RECOMMENDED PANEL MOUNTING HOLE

RECOMMENDED PANEL THICKNESS: 1.6 TO 4.7MM



THREADED ADAPTER - BLUE

AHDPO4-24-16SR-WTA		REF:HDP24-24-16SE-L024																																																																																																									
PART NUMBER		DESCRIPTION		ITEM																																																																																																							
<table border="1"> <tr> <td>QUANTITY</td> <td colspan="5">MATERIALS LIST</td> </tr> <tr> <td colspan="6">UNLESS OTHERWISE SPECIFIED</td> </tr> <tr> <td colspan="6">1) All dimensions are in metric(mm).</td> </tr> <tr> <td colspan="6">2) Tolerances are as follows:</td> </tr> <tr> <td>1 PL DEC ±0.30</td> <td colspan="5">Fractions ±1/64</td> </tr> <tr> <td>2 PL DEC ±0.15</td> <td colspan="5">Angles ±1°</td> </tr> <tr> <td>3 PL DEC ±0.08</td> <td colspan="5"></td> </tr> <tr> <td colspan="6">3) Note reference = △</td> </tr> <tr> <td colspan="2">SIGNATURES</td> <td colspan="2">DATE</td> <td colspan="2"></td> </tr> <tr> <td colspan="2">DRAWN: BROOKING</td> <td colspan="2">11MAY20</td> <td colspan="2"></td> </tr> <tr> <td colspan="2">CHECKED: ORIONLI</td> <td colspan="2">12MAY20</td> <td colspan="2"></td> </tr> <tr> <td colspan="2">ENGINEER:</td> <td colspan="2"></td> <td colspan="2"></td> </tr> <tr> <td colspan="2">APPROVAL: TOMMY.XIE</td> <td colspan="2">13MAY20</td> <td colspan="2"></td> </tr> <tr> <td colspan="2">CUSTOMER:</td> <td colspan="2"></td> <td colspan="2"></td> </tr> <tr> <td colspan="2">MATERIAL SPECIFICATIONS:</td> <td colspan="2"></td> <td colspan="2"></td> </tr> <tr> <td colspan="2">PROCESS SPECIFICATIONS:</td> <td colspan="2"></td> <td colspan="2"></td> </tr> <tr> <td colspan="2">NEXT ASSY:</td> <td colspan="2"></td> <td colspan="2"></td> </tr> </table>						QUANTITY	MATERIALS LIST					UNLESS OTHERWISE SPECIFIED						1) All dimensions are in metric(mm).						2) Tolerances are as follows:						1 PL DEC ±0.30	Fractions ±1/64					2 PL DEC ±0.15	Angles ±1°					3 PL DEC ±0.08						3) Note reference = △						SIGNATURES		DATE				DRAWN: BROOKING		11MAY20				CHECKED: ORIONLI		12MAY20				ENGINEER:						APPROVAL: TOMMY.XIE		13MAY20				CUSTOMER:						MATERIAL SPECIFICATIONS:						PROCESS SPECIFICATIONS:						NEXT ASSY:					
QUANTITY	MATERIALS LIST																																																																																																										
UNLESS OTHERWISE SPECIFIED																																																																																																											
1) All dimensions are in metric(mm).																																																																																																											
2) Tolerances are as follows:																																																																																																											
1 PL DEC ±0.30	Fractions ±1/64																																																																																																										
2 PL DEC ±0.15	Angles ±1°																																																																																																										
3 PL DEC ±0.08																																																																																																											
3) Note reference = △																																																																																																											
SIGNATURES		DATE																																																																																																									
DRAWN: BROOKING		11MAY20																																																																																																									
CHECKED: ORIONLI		12MAY20																																																																																																									
ENGINEER:																																																																																																											
APPROVAL: TOMMY.XIE		13MAY20																																																																																																									
CUSTOMER:																																																																																																											
MATERIAL SPECIFICATIONS:																																																																																																											
PROCESS SPECIFICATIONS:																																																																																																											
NEXT ASSY:																																																																																																											
<h1>Amphenol</h1> <p>Sine Systems - www.amphenol-sine.com 44724 Morley Drive Clinton Township, MI 48036</p>																																																																																																											
<p>RECEPT.,24 SZ,16-SOCKET,REVERSE ARRANGEMENT,RD01 SEAL,WTA,AHDP SERIES</p>																																																																																																											
THIS DRAWING IS SUPPLIED FOR INFORMATION ONLY. DESIGN FEATURES, SPECIFICATIONS AND PERFORMANCE DATA SHOWN HEREON ARE THE PROPERTY OF THE AMPHENOL CORPORATION. NO RIGHTS OF REPRODUCTION ARE IMPLIED. ALL DIMENSIONS ARE SUBJECT TO NORMAL MANUFACTURING VARIATIONS.		SIZE		REVISION																																																																																																							
		B C-		A1																																																																																																							
		SCALE		SHEET 1 OF 1																																																																																																							
		NONE		DURAMATE																																																																																																							

TITLE: RECEPT.,24 SZ,16-SOCKET,REVERSE ARRANGEMENT,RD01 SEAL,WTA,AHDP SERIES  
DWG NO.: AHDP04-24-16SR-WTA  
REV: A1  
SH: 1  
OF: 1