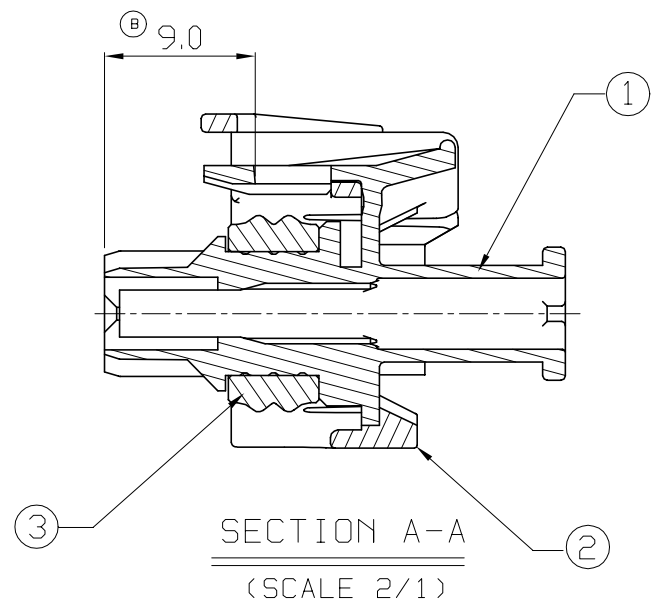
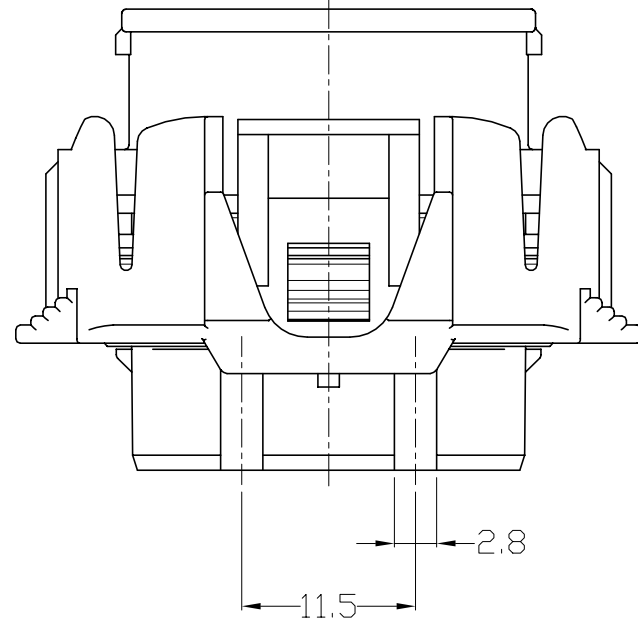
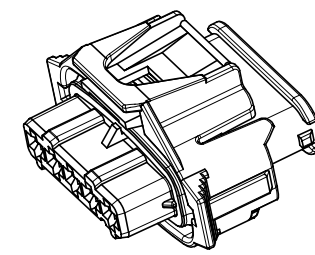


REVISIONS					
P	LTR	DESCRIPTION	DATE	DWN	APVD
B	1	REVISED (ECR-16-005533)	15.MAY.'16	JM	JW
C		REVISED (ECR-20-013140)	0.JAN.'21	YH	YJ



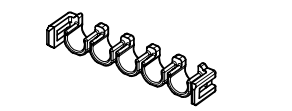
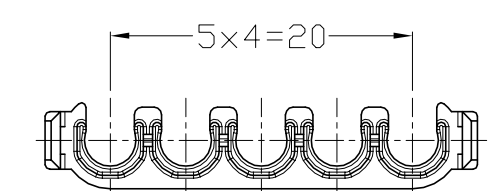
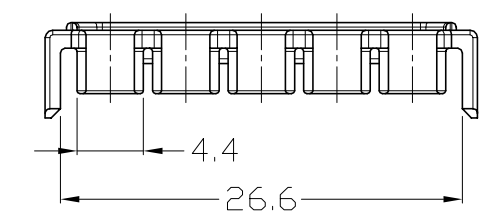
ASSEMBLY



3D VIEW (SCALE 1/1)

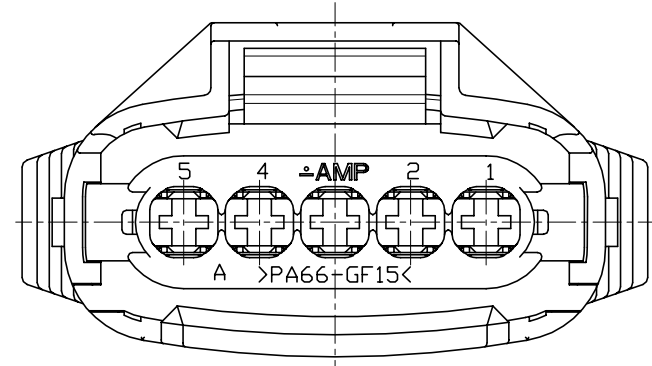
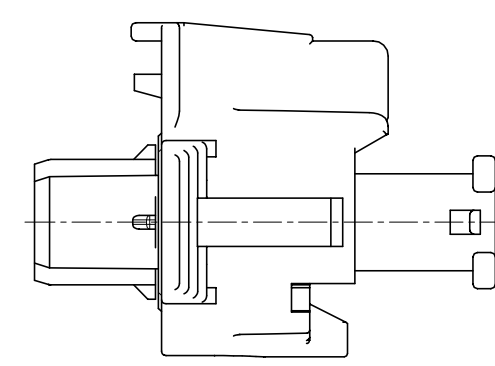
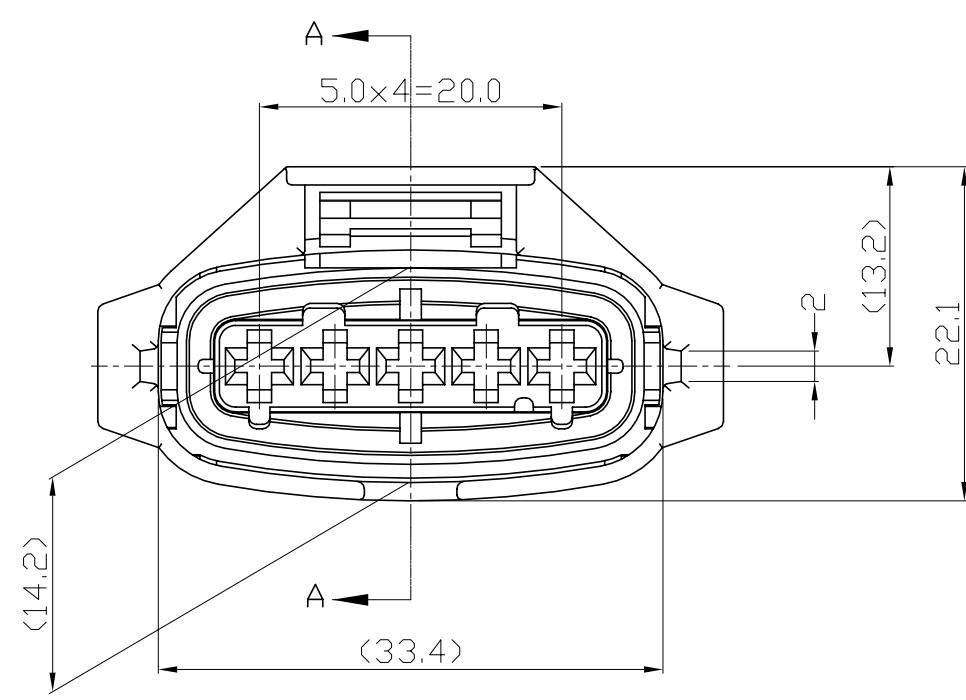
ACCESSORIES DRAWING

①. DBL HSG : P/N:936110
SCALE : 2/1



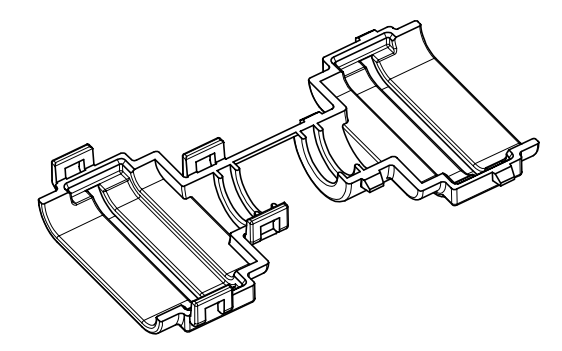
3D VIEW(SCALE 1:1)

NOTE ;
①) MATERIAL : PBT



②. COVER HSG : P/N:936113
SCALE : 2/1

NOTE ;
①) MATERIAL : NYLON 66
2) CORRUGATOR DIAMETER : Ø7.0



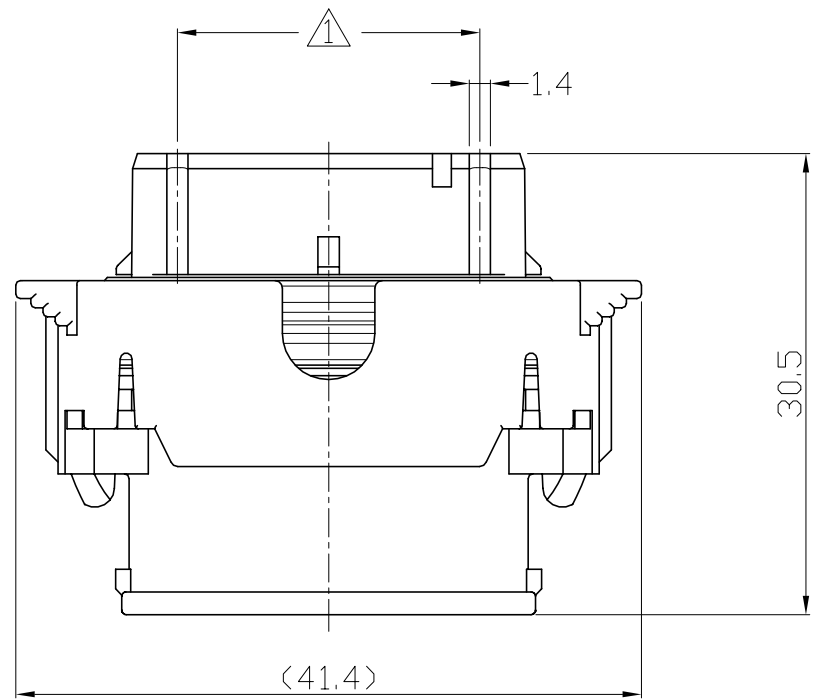
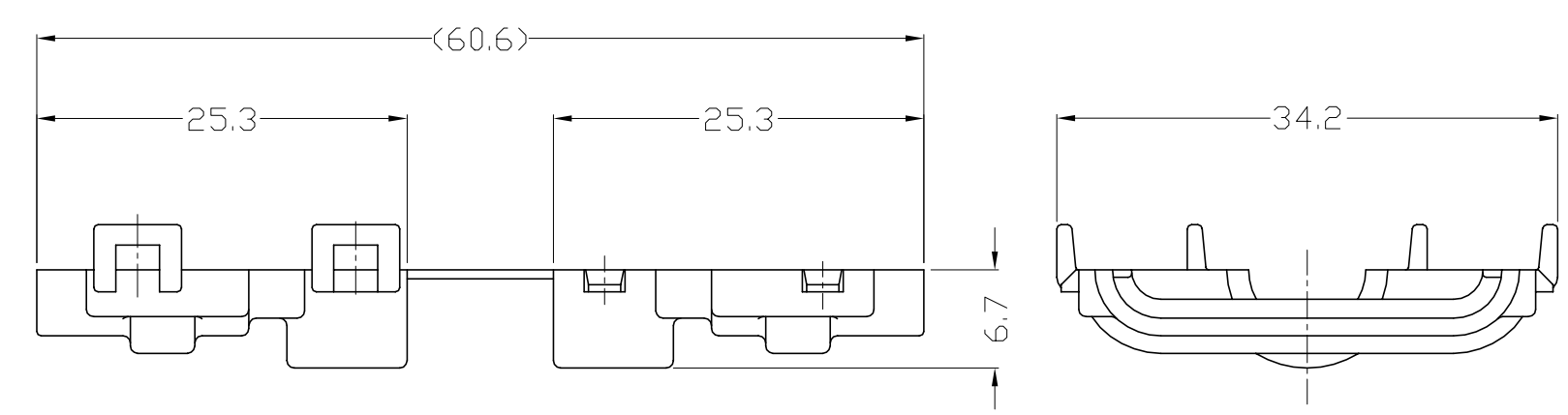
3D VIEW(SCALE 1:1)

4. APPLIED RECEPTACLE CONTACT P/N:

DESCRIPTION	2.8mm SENSOR-FLAT RECEPTACLE	
Part NO.	967542	967543
WIRE SIZE(mm²)	0.5 ~ 1.0	1.25 ~ 2.5

5. APPLIED WIRE SEAL P/N:

DESCRIPTION	SINGLE-WIRE SEAL(5mm Hole)	
Part NO.	828904	828905
INSULATION DIA.(Ø)	1.2 ~ 2.1mm	2.2 ~ 3.0mm



(TABLE 1)

CODE I : 936062-X	CODE II : TBD
20	7.0
CODE III : TBD	CODE IV : TBD
10	10
13.5	13.5

NOTE ;
 ① CODING IS AS FOLLOWS; SEE TABLE 1.
 2. 0.15 MAX. WARPAGE AND 0.2 MAX. FLASH ARE PERMISSIBLE
 3. SURFACE DEFECTS ARE NOT ACCEPTABLE AS FOLLOWS: SINK, WELD LINES, HAIRCRACKS, STAINS & SCORES

ASSEMBLY P/N	Q'TY	P/N	DESCRIPTION	MATERIAL	COLOR	NO			
1	1	1	1	1	① 936802-1	INNER SEAL	SILICON	RED BROWN	3
1					② 936109-3	PROTECTOR HSG	PA 66 GF15	GRAY	2
1	1	1	1		936109-1	PROTECTOR HSG	PA 66 GF15	BLACK	2
1					TBD	PLUG HSG	PA 66 GF15	BLACK	1
				1	TBD	PLUG HSG	PA 66 GF15	BLACK	1
				1	TBD	PLUG HSG	PA 66 GF15	BLACK	1
1				1	936108-1	PLUG HSG	PA 66 GF15	BLACK	1

THIS DRAWING IS A CONTROLLED DOCUMENT FOR AMP INCORPORATED. IT IS SUBJECT TO CHANGE AND THE CONTROLLING ENGINEERING.		DWN JM JEON		TE connectivity 2.8mm SEALED 5P PLUG ASSEMBLY	
DIMENSIONS: mm		CHK JM JEON			
3rd ANGLE PROJECTION		APVD JW JUNG			
MATERIAL SEE TABLE		PRODUCT SPEC			
TOLERANCES UNLESS OTHERWISE SPECIFIED:		APPLICATION SPEC		NAME	
0 <XX<10 ± 0.2		114-18144		SIZE	
10<XX<30 ± 0.25		WEIGHT		CAGE CODE	
30<XX ± 0.3		A2		00779	
ANGLES ± 3°		CUSTOMER DRAWING		DRAWING NO	
		SCALE 2/1		936062	
		SHEET 1		REV C	