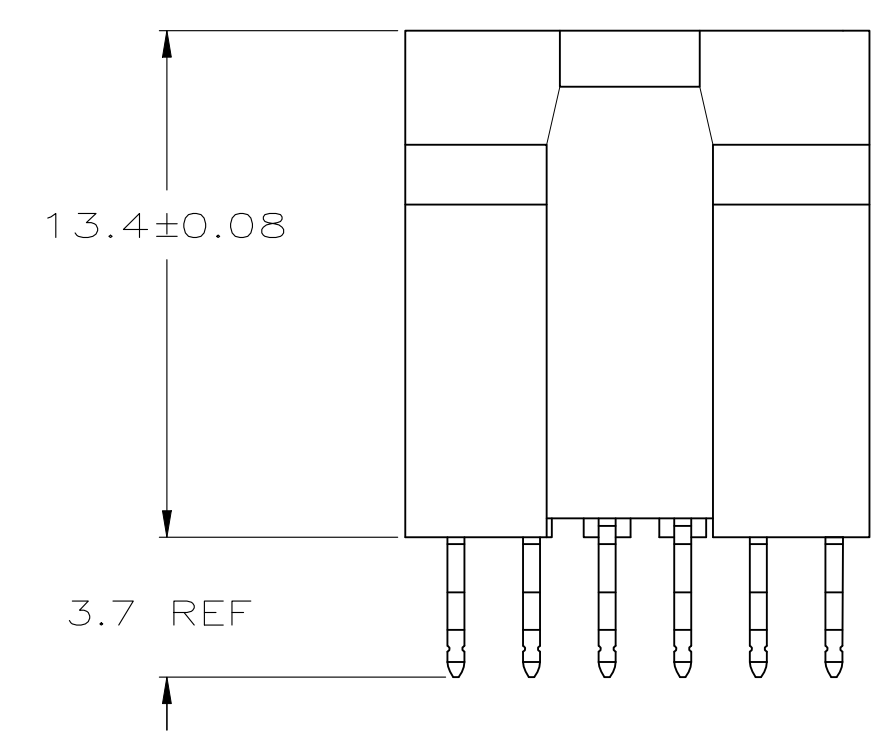
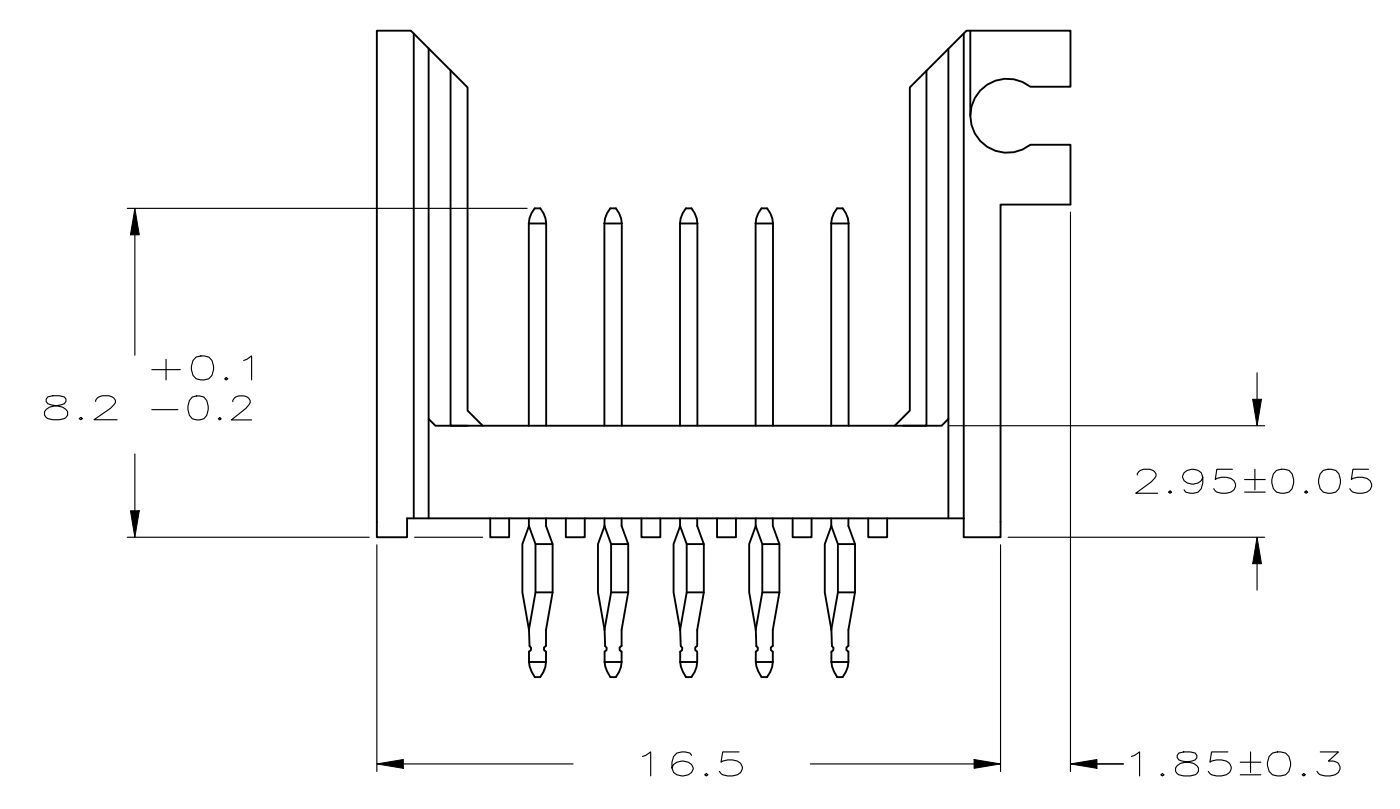
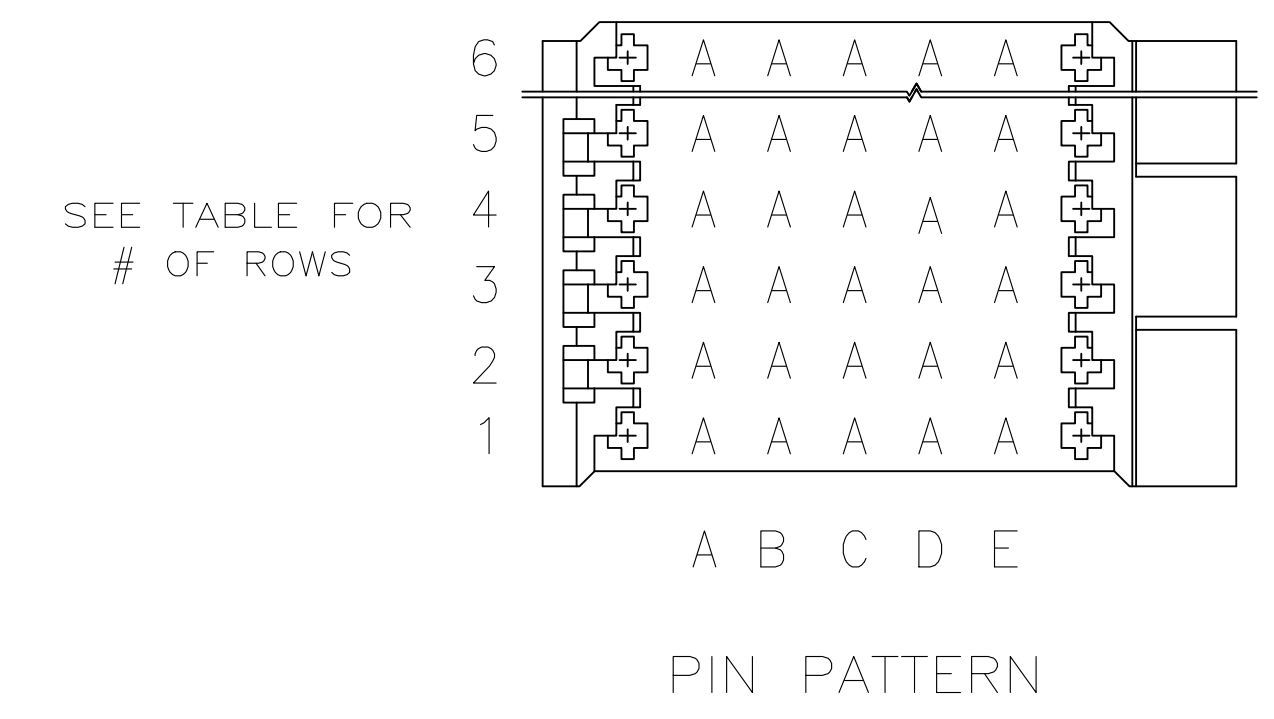
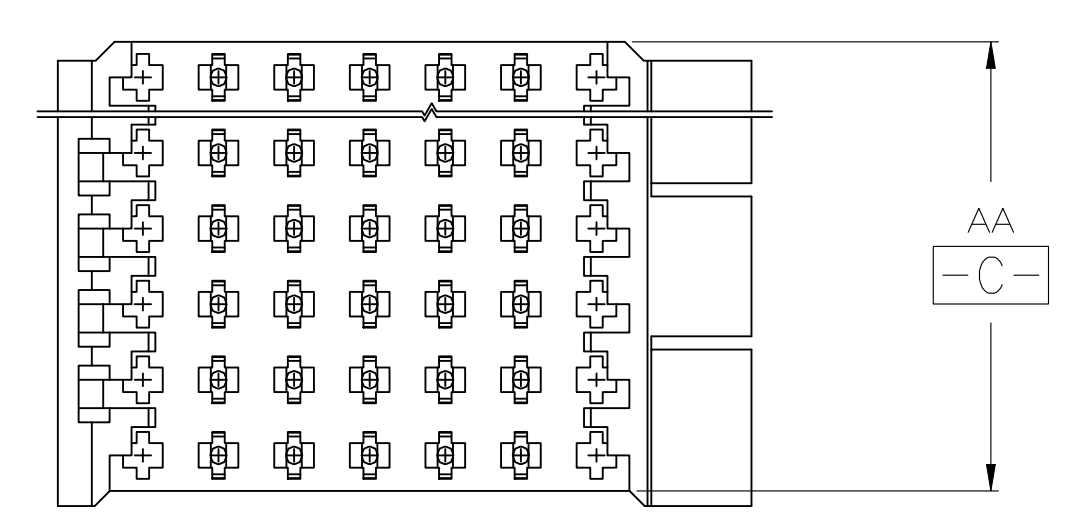
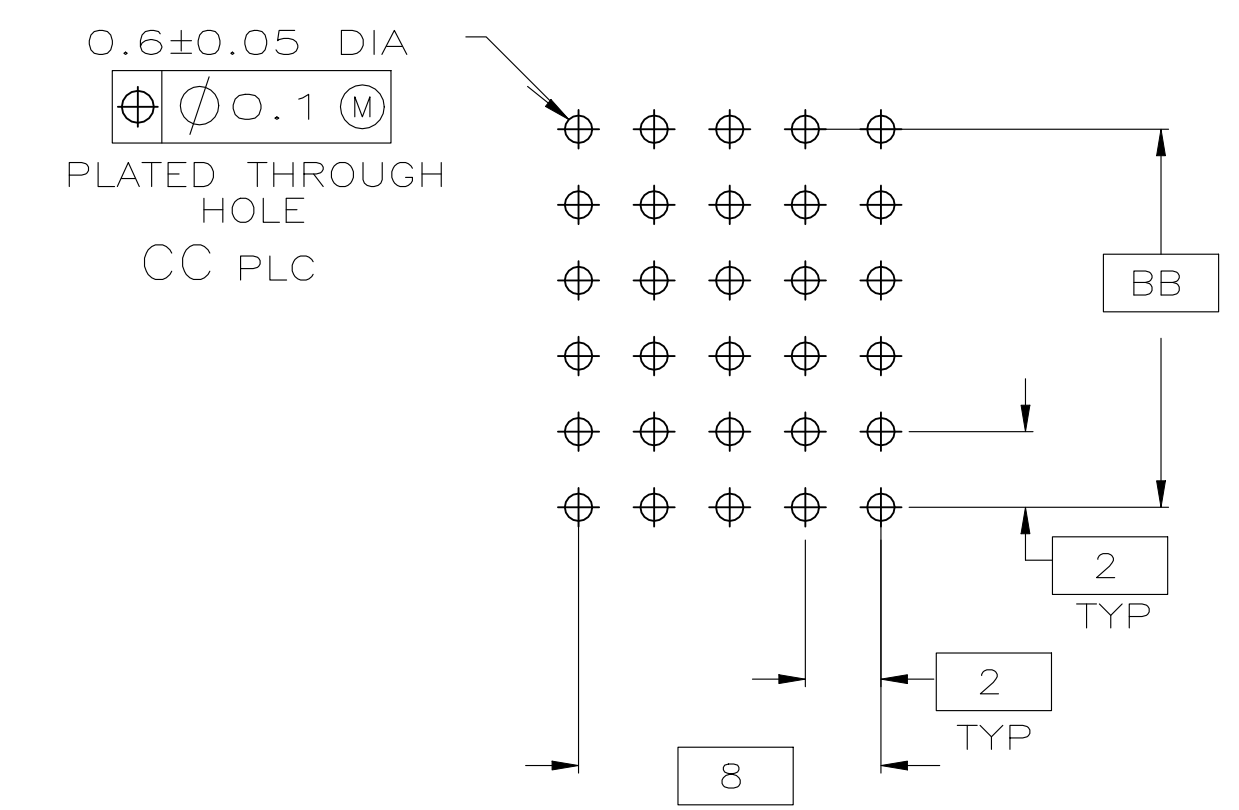
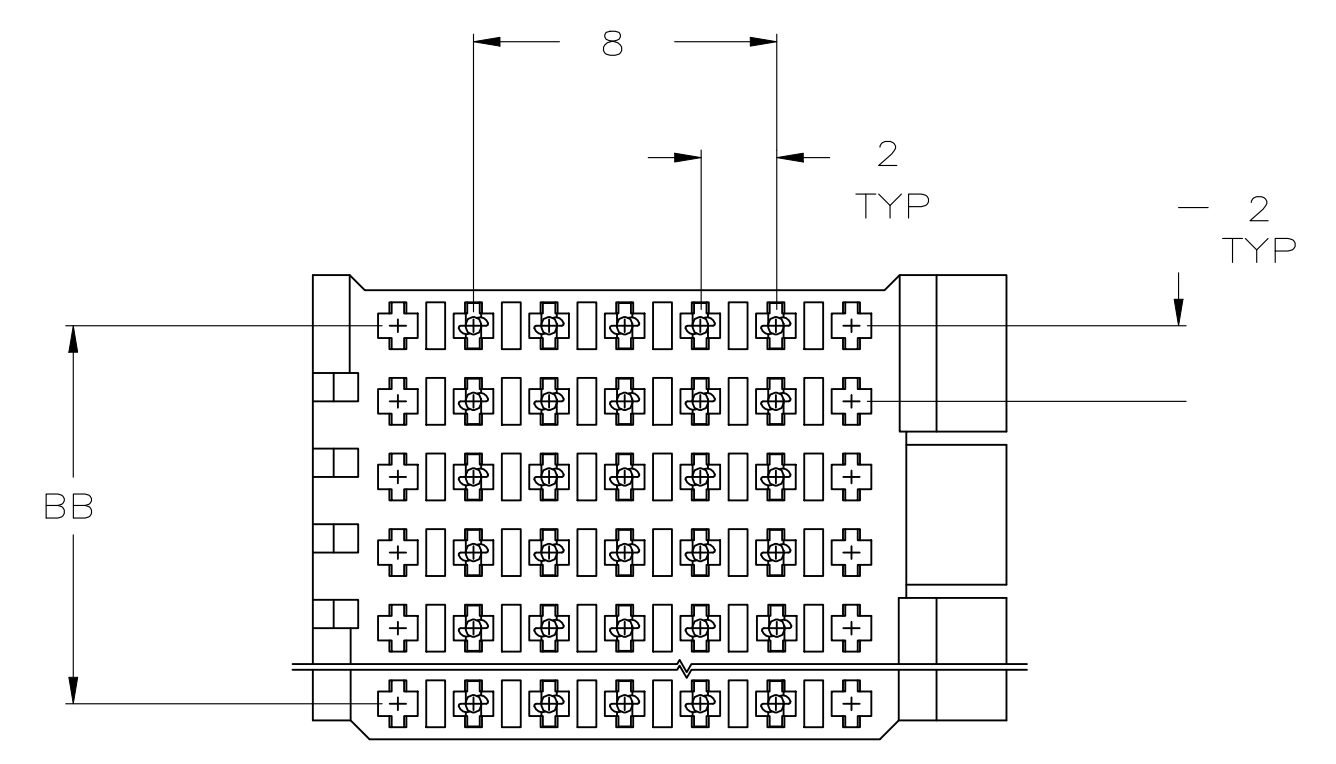


REVISIONS				
P	LTR	DESCRIPTION	DATE	APP'D
D		ECC-21-008023	1SEP2021	TL HL



- 1 HOUSING MATERIAL: POLYESTER PBT, MOLDING COMPOUND, FLM RTD, 20% GLASS FILLED, COLOR:BLACK.
- 2 CONTACT MATERIAL: PHOSPHOR BRONZE PER UNS C51100, TEMPER H04
- 3 CONTACT FINISH:
MATING SURFACE- 0.0008 MIN GOLD OVER 0.0013 MIN NICKEL.
ON LEADS- 0.0005 MIN TIN-LEAD OVER 0.0013 MIN NICKEL.



RECOMMENDED PCB PATTERN

OBSOLETE	125	48	49.88	25	2-636120-2
	120	46	47.88	24	2-636120-1
	115	44	45.88	23	2-636120-0
	110	42	43.88	22	1-636120-9
	105	40	41.88	21	1-636120-8
	100	38	39.88	20	1-636120-7
	95	36	37.88	19	1-636120-6
OBSOLETE	90	34	35.88	18	1-636120-5
	85	32	33.88	17	1-636120-4
	80	30	31.88	16	1-636120-3
	75	28	29.88	15	1-636120-2
	70	26	27.88	14	1-636120-1
	65	24	25.88	13	1-636120-0
	60	22	23.88	12	636120-9
	55	20	21.88	11	636120-8
	50	18	19.88	10	636120-7
	45	16	17.88	9	636120-6
	40	14	15.88	8	636120-5
	35	12	13.88	7	636120-4
	30	10	11.88	6	636120-3
	25	8	9.88	5	636120-2
	20	6	7.88	4	636120-1
	CC	BB	AA	ROWS	PART NO

THIS DRAWING IS A CONTROLLED DOCUMENT.

DIMENSIONS: mm	TOLERANCES UNLESS OTHERWISE SPECIFIED:	DIN T. SMITH 6-30-97	TE Connectivity Ltd.
0. PLC ± 0.1 1. PLC ± 0.1 2. PLC ± 0.1 3. PLC ± 0.1 4. PLC ± 0.1 ANGLES ± -	FINISH	CHK C. ADAMS 6-30-97 APP'D T. SMITH 6-30-97 PRODUCT SPEC APPLICATION SPEC	
MATERIAL	FINISH	WEIGHT: 0.000000	CUSTOMER DRAWING SCALE: 5:1 SHEET: 1 of 1 REV: D