



## | 5024 EGR SERIES

TEMPERATURE SENSOR

### Introduction

The 5024 EGR temperature sensor is a compact and economical, NTC based temperature sensor with a performance range up to 300°C. Originally designed for Automotive applications, it has been engineered and tested to meet the harshest environmental conditions. Fast response time, O-Ring sealed hex port and an integrated electrical connector make this sensor an outstanding turnkey solution for many industrial applications where accurate, robust temperature sensing is required.



### Features

- High temperature NTC Sensing
- Peak temperature to 300° C
- High accuracy over complete range
- Fast response time
- Stainless steel construction
- Integrated electrical connection

### Applications

- Exhaust gas recirculation systems, Automotive
- Diesel/Gas/Natural gas generators
- Wet exhaust gas, Marine
- Commercial lawnmowers
- Boiler exhaust gas monitoring

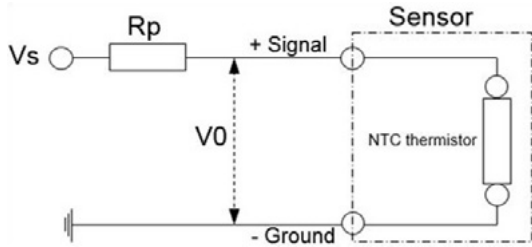


### SPECIFICATIONS

<b>Max Operating Temperature (Probe Tip)</b>	-55°C to 300°C (-67°F to 572°F)
<b>Temperature Tolerance</b>	25°C±0.8°C, 300°C±3.7°C
<b>Sensor Type</b>	10KΩ@25 °C, NTC
<b>Electrical Connector, Material</b>	USCAR 1.2mm Keyway, PPS-GF40
<b>Thread Design</b>	M12X1.5, M12X1.25 or M14X1.5
<b>Body and Probe Material</b>	304L Stainless Steel, 316L Stainless Steel
<b>Sealing Interface</b>	Stainless steel crush washer or FKM O-Ring

## Electrical Reference

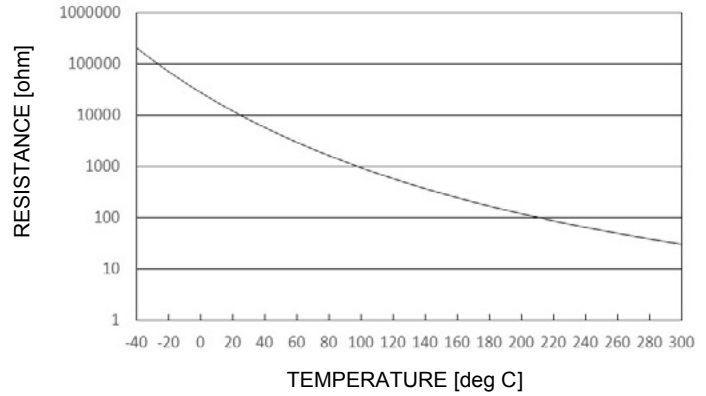
### 2. REFERENCE CIRCUIT



$V_s = 5V \pm 0.25V$   
 $R_p = 2.21k\Omega \pm 1\%$   
 $V_0 =$  Measurement results based on RT curve

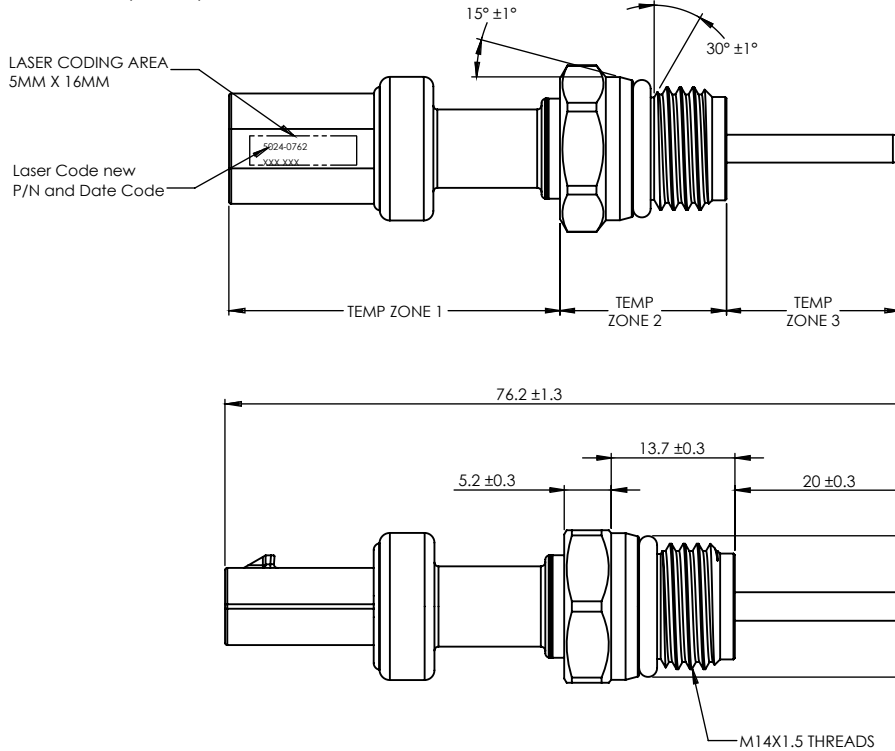
### RESISTANCE-TEMPERATURE CHARACTERISTICS

B VALUE: 3450K (0 / 100deg C), 10kohm at 25deg C  
RT CURVE(NOMINAL)



## DIMENSIONS

All dimensions are in millimeters (mm)  
 Dimensions for 5024-0762 are shown below.  
 Dimensions will vary with options selected

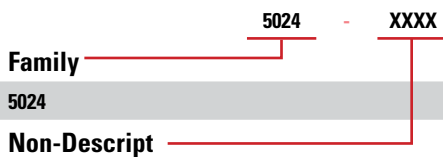


TEMP ONE	MAX APPLICATION TEMP ALLOWED
1	150°C
2	200°C
3	300°C



## ORDERING OPTIONS

Example : 5024-0762



Non-Descript assigned by Sensata and will account for all customer specific specifications, including Sensor Type, Thread and Hex, FKM O-Ring or Crush Washer, and Customer Specific Marking.



## STANDARD CONFIGURATION

Item Number	Overall Length	Thread Type	Sealing Interface	Connector Type
5024-0762	76.2 mm	M14 x 1.5 mm	FKM O-Ring (75 Durometer)	USCAR 1.2mm Keyway A



## GENERAL NOTE

Please contact Sensata Technologies for assistance in applying 5024 EGR temperature sensors to meet your probe temperature sensing needs.



## WARNINGS



### RISK OF MATERIAL DAMAGE AND HOT ENCLOSURE

- The product's side panels may be hot, allow the product to cool before touching
- Follow proper mounting instructions including torque values
- Do not allow liquids or foreign objects to enter this product

**Failure to follow these instructions can result in serious injury, or equipment damage.**

Sensata Technologies, Inc. ("Sensata") data sheets are solely intended to assist designers ("Buyers") who are developing systems that incorporate Sensata products (also referred to herein as "components"). Buyer understands and agrees that Buyer remains responsible for using its independent analysis, evaluation and judgment in designing Buyer's systems and products. Sensata data sheets have been created using standard laboratory conditions and engineering practices. Sensata has not conducted any testing other than that specifically described in the published documentation for a particular data sheet. Sensata may make corrections, enhancements, improvements and other changes to its data sheets or components without notice.

Buyers are authorized to use Sensata data sheets with the Sensata component(s) identified in each particular data sheet. HOWEVER, NO OTHER LICENSE, EXPRESS OR IMPLIED, BY ESTOPPEL OR OTHERWISE TO ANY OTHER SENSATA INTELLECTUAL PROPERTY RIGHT, AND NO LICENSE TO ANY THIRD PARTY TECHNOLOGY OR INTELLECTUAL PROPERTY RIGHT, IS GRANTED HEREIN. SENSATA DATA SHEETS ARE PROVIDED "AS IS". SENSATA MAKES NO WARRANTIES OR REPRESENTATIONS WITH REGARD TO THE DATA SHEETS OR USE OF THE DATA SHEETS, EXPRESS, IMPLIED OR STATUTORY, INCLUDING ACCURACY OR COMPLETENESS. SENSATA DISCLAIMS ANY WARRANTY OF TITLE AND ANY IMPLIED WARRANTIES OF MERCHANTABILITY, FITNESS FOR A PARTICULAR PURPOSE, QUIET ENJOYMENT, QUIET POSSESSION, AND NON-INFRINGEMENT OF ANY THIRD PARTY INTELLECTUAL PROPERTY RIGHTS WITH REGARD TO SENSATA DATA SHEETS OR USE THEREOF.

All products are sold subject to Sensata's terms and conditions of sale supplied at [www.sensata.com](http://www.sensata.com) SENSATA ASSUMES NO LIABILITY FOR APPLICATIONS ASSISTANCE OR THE DESIGN OF BUYERS' PRODUCTS. BUYER ACKNOWLEDGES AND AGREES THAT IT IS SOLELY RESPONSIBLE FOR COMPLIANCE WITH ALL LEGAL, REGULATORY AND SAFETY-RELATED REQUIREMENTS CONCERNING ITS PRODUCTS, AND ANY USE OF SENSATA COMPONENTS IN ITS APPLICATIONS, NOTWITHSTANDING ANY APPLICATIONS-RELATED INFORMATION OR SUPPORT THAT MAY BE PROVIDED BY SENSATA.

Mailing Address: Sensata Technologies, Inc., 529 Pleasant Street, Attleboro, MA 02703, USA.

## CONTACT US

### Americas

+1 (888) 438 2214  
[sensors@sensata.com](mailto:sensors@sensata.com)

### Europe, Middle East & Africa

+31 (74) 357 8156  
[temperature-info.eu@sensata.com](mailto:temperature-info.eu@sensata.com)

### Asia Pacific

[sales.isasia@list.sensata.com](mailto:sales.isasia@list.sensata.com)  
China +86 (21) 2306 1500  
Japan +81 (45) 277 7117  
Korea +82-10-9218-1179  
India +91 (80) 67920890  
Rest of Asia +886 (2) 27602006  
ext 2808