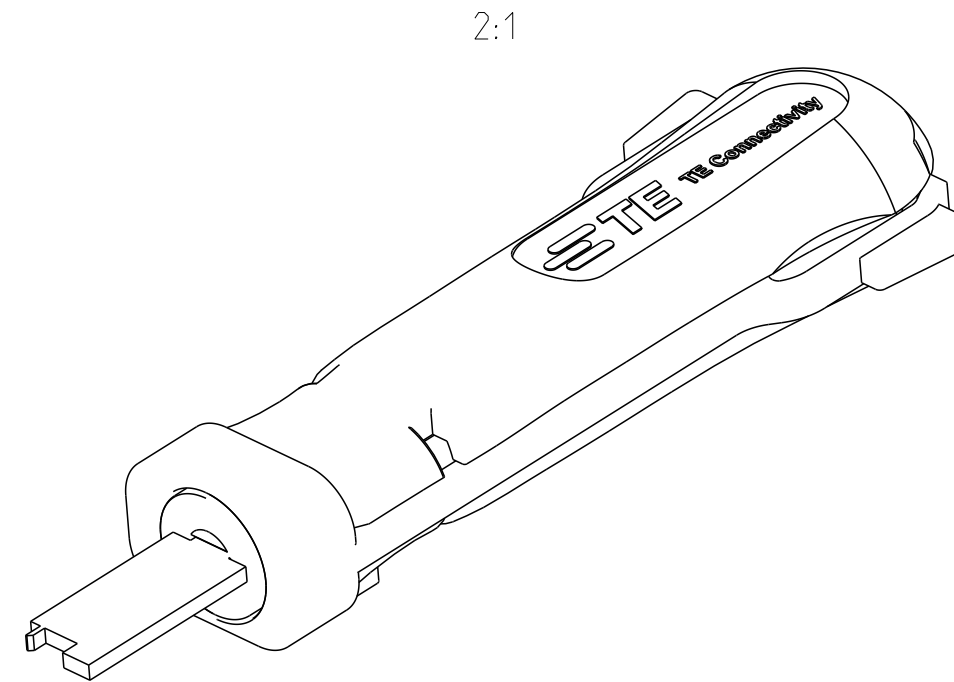
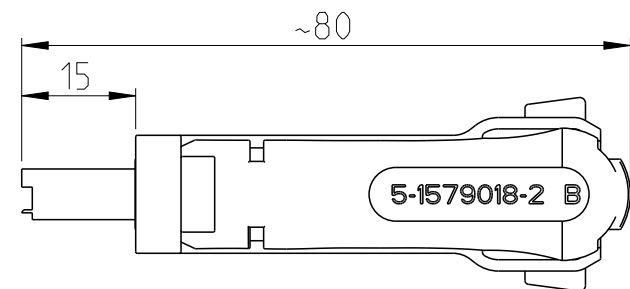
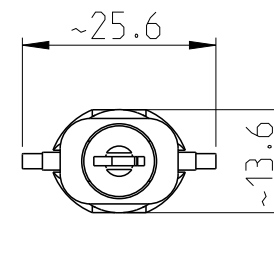
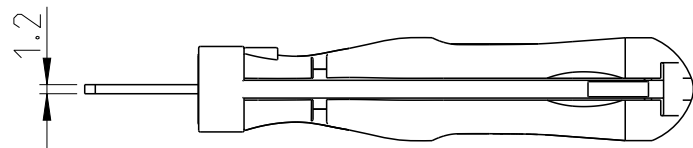
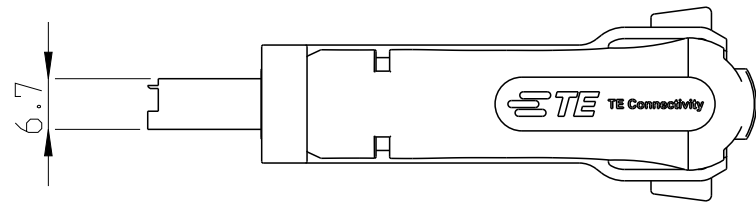


REVISIONS

P	LTR	DESCRIPTION	DATE	DWN	APVD
	B1	ECR-18-009219	14 JUN2018	MG	BM
	B2	ECR-20-008954	29 JUL2020	PNT	GS



APPLICATION RANGE / Anwendungsbereich:

FOR MQS-CONTACT: 1-928918-1, 1-928918-2, 963716-1, 963716-2

FORTABHOUSING : 1379913

THIS DRAWING IS A CONTROLLED DOCUMENT.		DWN D. Heyl 29 JUN2009			
DIMENSIONS: mm		CHK S. Samstag 22 OCT2009			
TOLERANCES UNLESS OTHERWISE SPECIFIED:		APVD S. Samstag 22 OCT2009	NAME EXTRACTION TOOL Entriegelungswerkzeug		
		PRODUCT SPEC -	RESTRICTED TO -		
0 PLC ± 1 PLC ± 2 PLC ± 3 PLC ± 4 PLC ± ANGLES ±		APPLICATION SPEC -	SIZE A3	CAGE CODE 00779	DRAWING NO 5-1579018-2
MATERIAL		WEIGHT 0.011kg	SCALE 1:1		
		CUSTOMER DRAWING		SHEET 1 OF 1	
				REV B2	