

ITEM	PART#	DESCRIPTION	QTY	UOM
A	19091066	6CKT 2.36MM REC HOUSING 319106R1201	1	PC
B	2091102	093 Female Term Chain Tin 14-20	6	PC
C	--	PAPER PRINTED PAPER WHITE	1	PC

FROM	TO	DESCRIPTION	COLOR
A1	--	1X14AWG DISC PVC BK UL1015 HOOKUP	BLACK
A2	--	1X14AWG DISC PVC BK UL1015 HOOKUP	BLACK
A3	--	1X14AWG DISC PVC BK UL1015 HOOKUP	BLACK
A4	--	1X14AWG DISC PVC BK UL1015 HOOKUP	BLACK
A5	--	1X14AWG DISC PVC BK UL1015 HOOKUP	BLACK
A6	--	1X14AWG DISC PVC BK UL1015 HOOKUP	BLACK

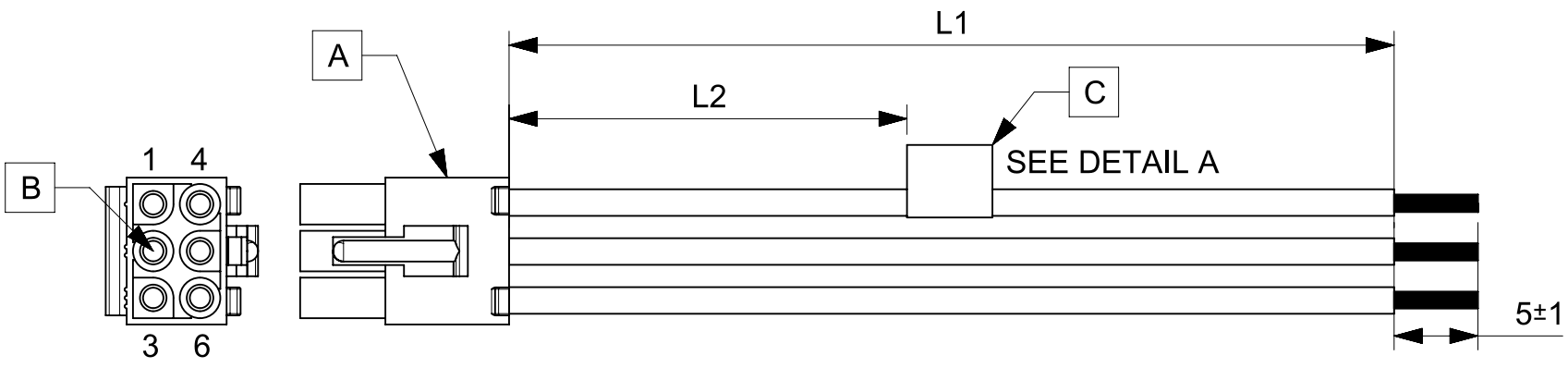


TABLE				
PART NUMBER	L1	L2	TITLE	
2162911061	150±8	63 REF	STANDARD .093 6 CIRCUIT R TO S 150MM	
2162911062	300±10	138 REF	STANDARD .093 6 CIRCUIT R TO S 300MM	
2162911063	600±10	288 REF	STANDARD .093 6 CIRCUIT R TO S 600MM	

NOTES

1. Connector view shown is from mating side.
2. Free ends must be stripped, twisted & tinned. The length of tinning is 5±1mm. Tinning dia must be 2.4mm Max.
3. Label text must be 2mm max. in height with Arial font.
4. Label must be wrapped in Flag type on a single cable.

MOLEX P/N
MOLEX
BATCH WK/YR
DETAIL A

REVISION			
DATE	REV	DESCRIPTION	CHANGER
2020/06/22	A	INITIAL RELEASE	ARAJU

FUNCTIONAL SYMBOLS $\nabla_A = 0$ $\nabla_E = 0$ $\nabla_P = 0$ DIVISIONAL SYMBOLS	THIS DRAWING CONTAINS INFORMATION THAT IS PROPRIETARY TO MOLEX ELECTRONIC TECHNOLOGIES, LLC AND SHOULD NOT BE USED WITHOUT WRITTEN PERMISSION		CURRENT REV DESC:		
	DIMENSION UNITS	SCALE	GENERAL TOLERANCES (UNLESS SPECIFIED)		
	mm	NTS	ANGULAR TOL ± °		
	4 PLACES ±		3 PLACES ±		
3 PLACES ±		2 PLACES ±		EC NO: 643258	PRODUCT CUSTOMER DRAWING DOCUMENT NUMBER: 2162911061 DOC TYPE: PSD DOC PART: 000 REVISION: A
2 PLACES ±		1 PLACE ±		DRWN: ARAJU 2020/06/22	
1 PLACE ±		0 PLACES ±		CHK'D: RDESAI01 2020/08/12	
DRAFT WHERE APPLICABLE MUST REMAIN WITHIN DIMENSIONS		THIRD ANGLE PROJECTION	DRAWING	SERIES	
			A4-SIZE	216291	MATERIAL NUMBER: SEE TABLE
					CUSTOMER: GENERAL MARKET
					SHEET NUMBER: 1 OF 1