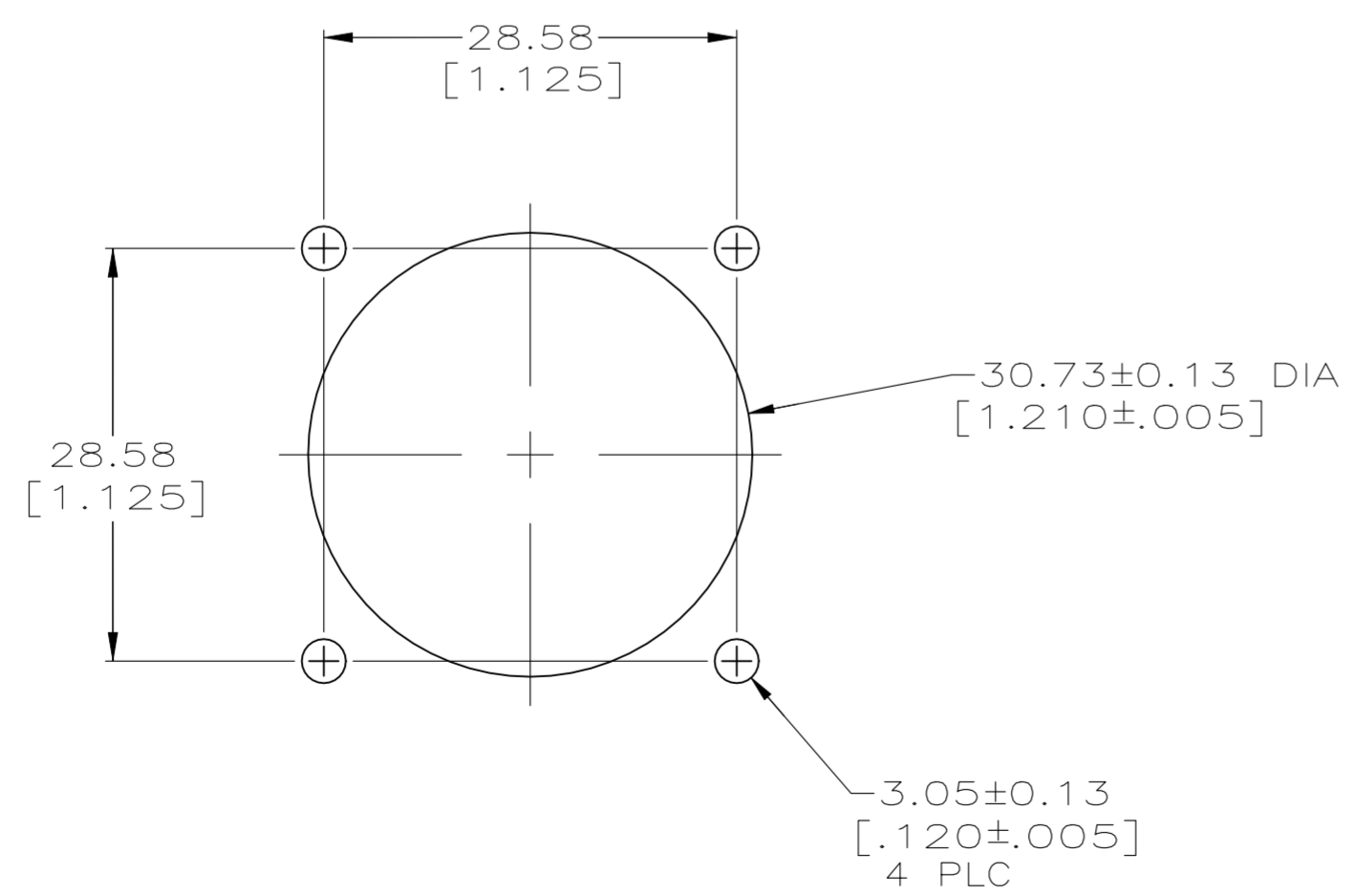
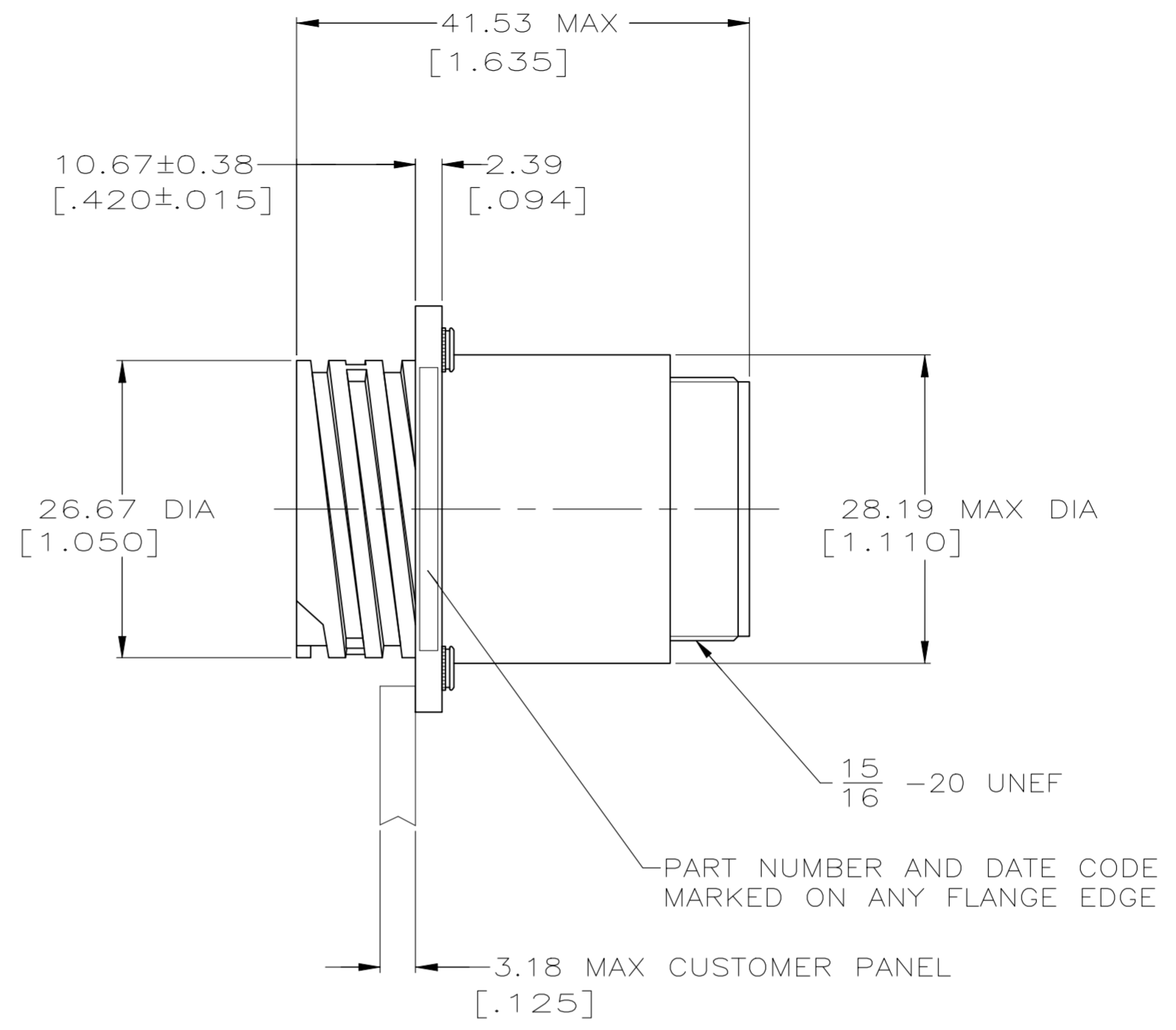
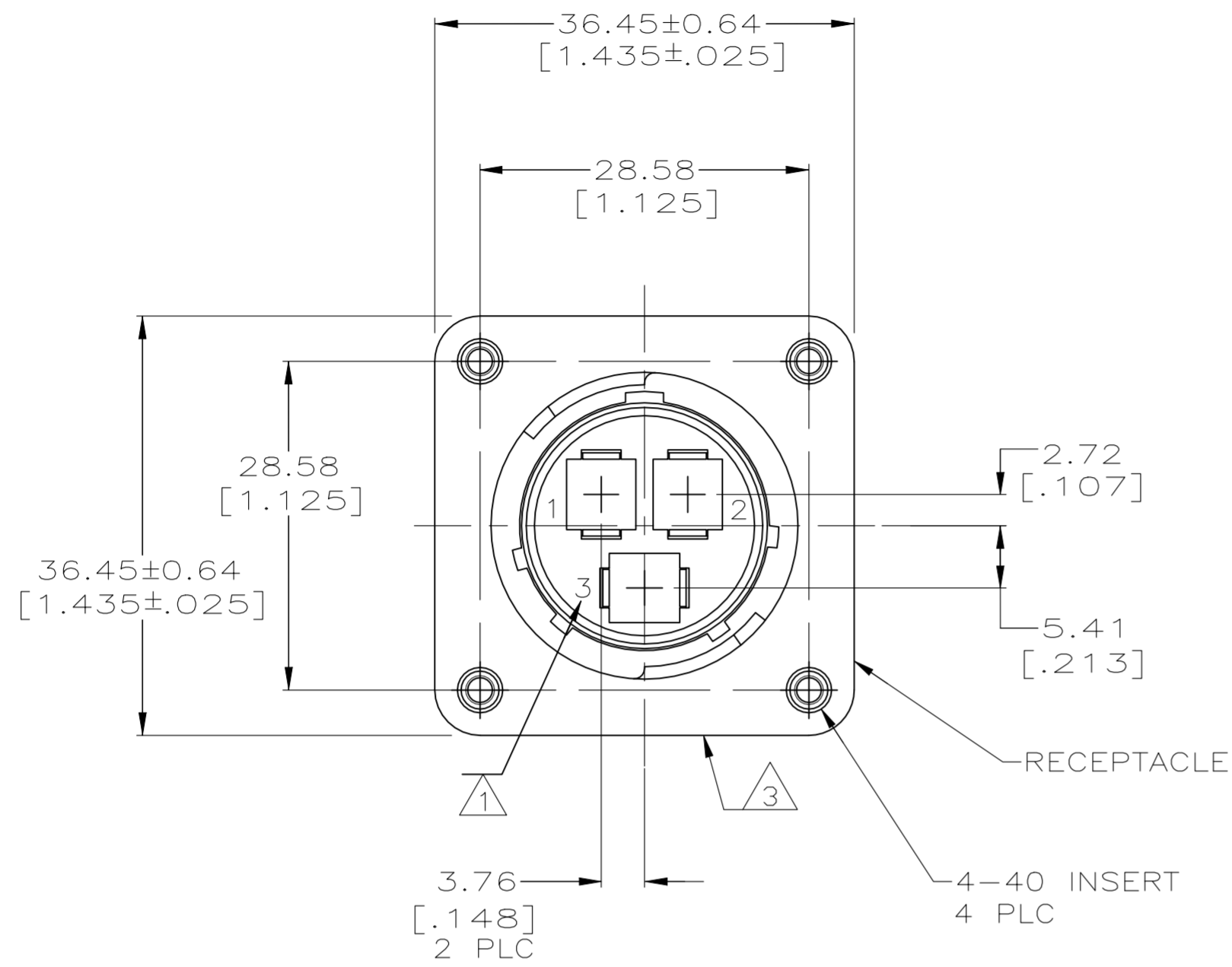


REVISIONS					
P	LTR	DESCRIPTION	DATE	DWN	APVD
B		REVISED PER ECN-22-160774	24JUN2022	RK	MZ



RECOMMENDED PANEL CUTOUT

- △1 CAVITY IDENTIFICATION CHARACTERS ON FRONT AND REAR FACE.
- 2 WILL ACCEPT 3 TYPE XII PIN CONTACTS.
- △3 TE LOGO LOCATED ON ANY FLANGE EDGE

213581-1

THIS DRAWING IS A CONTROLLED DOCUMENT.		DWN J McCLINTON 3-5-90	TE Connectivity	
DIMENSIONS: mm [INCHES]		CHK -		
TOLERANCES UNLESS OTHERWISE SPECIFIED:		APVD -	NAME RECEPTACLE ASSEMBLY, 17-3, STANDARD SEX, WITH 4-40 INSERT, CPC	
0 PLC ± -		PRODUCT SPEC -	SIZE A2	
1 PLC ± -		APPLICATION SPEC -	CAGE CODE 00779	DRAWING NO C=213581
2 PLC ± 0.25[.010]		WEIGHT -	RESTRICTED TO -	
3 PLC ± -		CUSTOMER DRAWING		
4 PLC ± -		SCALE 2:1	SHEET 1 of 1	REV B
ANGLES ± -				
FINISH -				
MATERIAL INSERT: BRASS RECEPTACLE: NYLON, BLACK				

213581