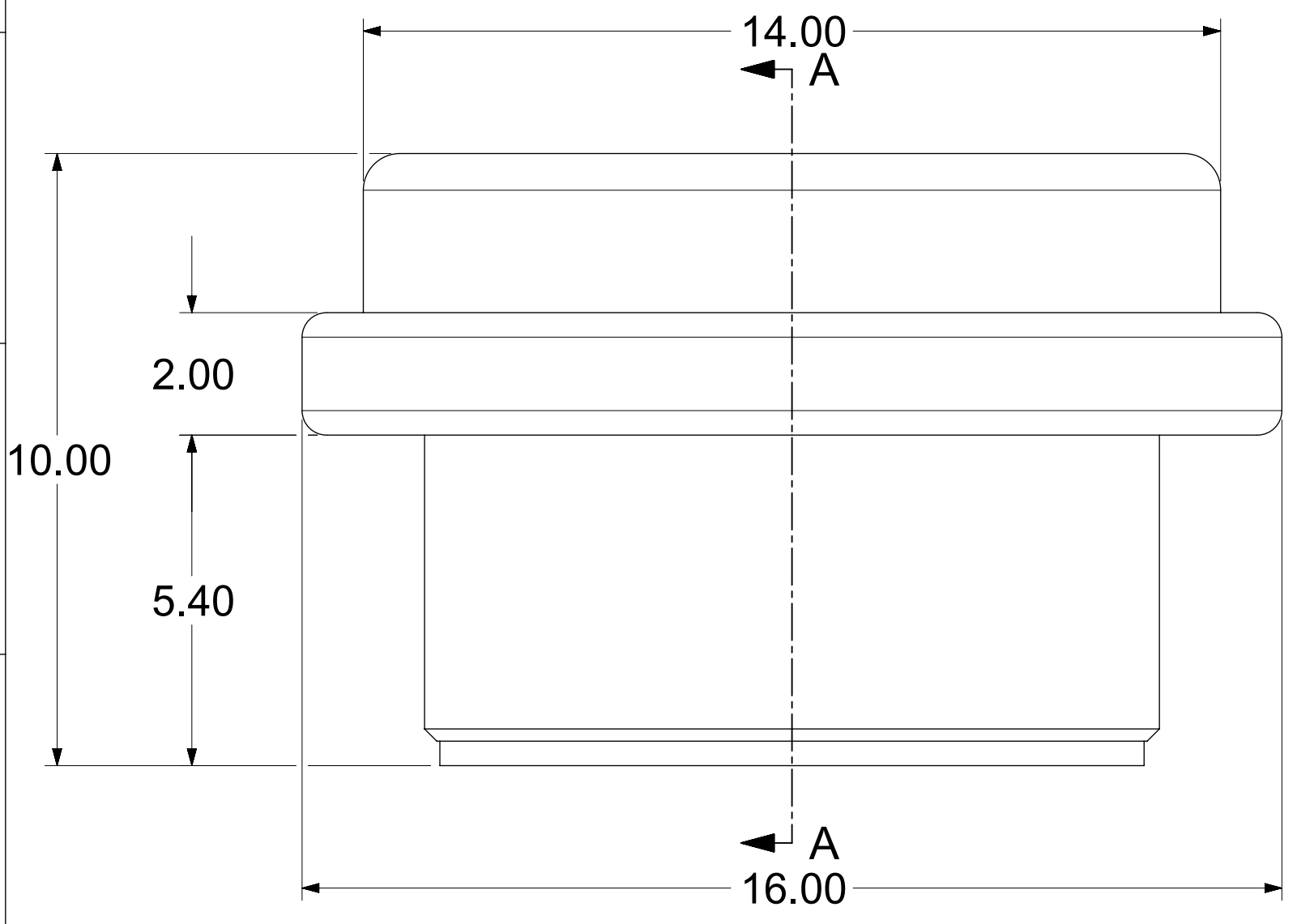
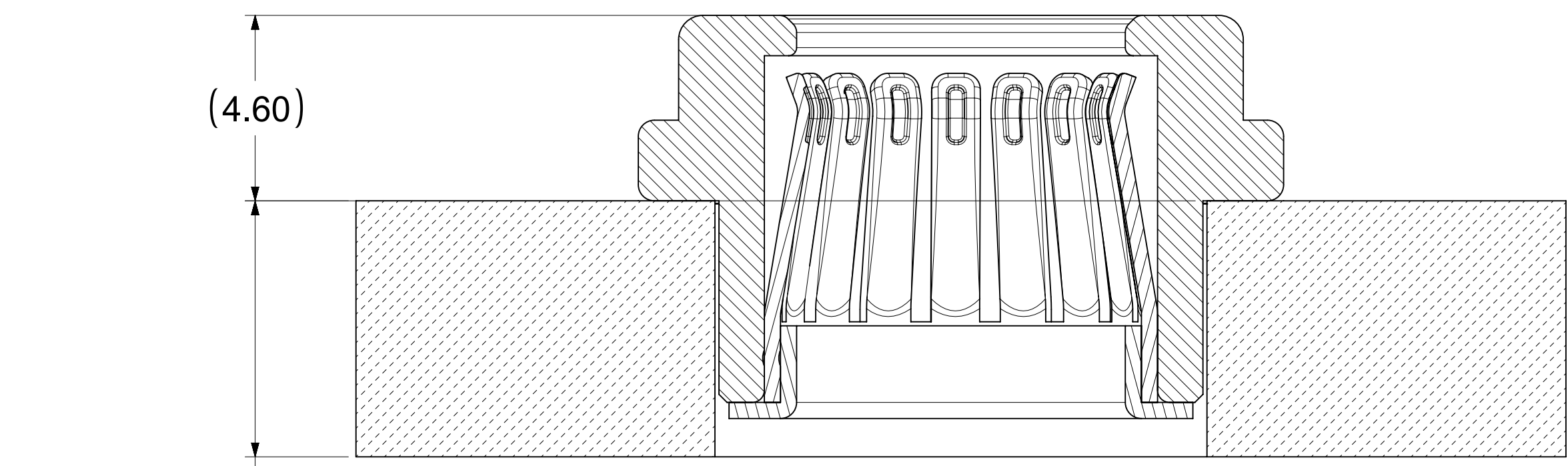
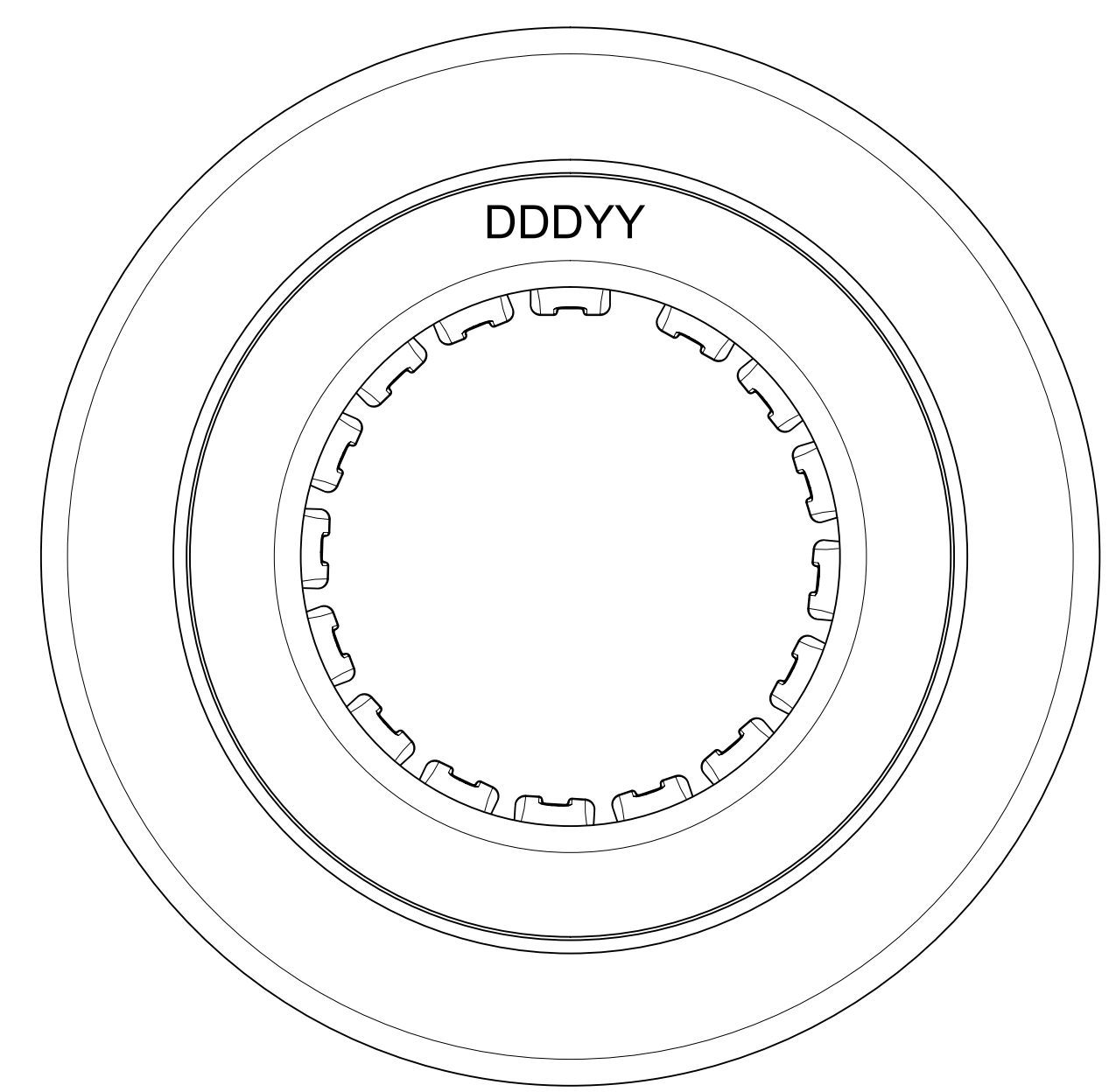


MATING PROFILE



- NOTES:
- MATERIALS:  
RETENTION CAP: STAINLESS STEEL  
PICK AND PLACE CAP: LCP UL94, V-0 COLOR BLACK  
BASE METAL: HIGH CONDUCTIVE COPPER ALLOY  
PLATING ON CONTACTS: 0.75 MICRON MIN GOLD OVER 1.27 MICRON MIN NICKEL  
PLATING ON BODY: 3.18 MICRON MIN SILVER OVER 1.27 MICRON MIN NICKEL
  - MATES WITH THE STANDARD PIN DRAWINGS:  
i. 8.0MM SMT DRAWING 2032633080-SD, MIN. MATING DISTANCE 6.75MM  
ii. 8.0MM PRESS FIT DRAWING 2032630001-SD, MIN. MATING DISTANCE 7.1MM  
iii. 8.0MM SCREW MOUNT DRAWING 2032634185-SD, MIN. MATING DISTANCE 10.10MM
  - PRODUCT SPECIFICATION: 2043130001-PS
  - APPLICATION SPECIFICATION: 2043130001-AS.  
SEE APPLICATION SPEC FOR SOLDERING INFORMATION.
  - PACKAGING SPECIFICATION: 2043180000-PK
  - SILVER COMPONENTS WILL BE SUPPLIED TARNISH FREE BUT MAY TARNISH OVER TIME.
  - PICK AND PLACE CAP TO BE REMOVED AFTER SOLDERING
  - DATE CODE TO BE LASER MARKED APPROXIMATELY WHERE SHOWN USING DDDYY FORMAT



SECTION A-A

6.35 SHOWN  
(1.58MM MINIMUM RECOMMENDED PCB THICKNESS)

THIS DRAWING CONTAINS INFORMATION THAT IS PROPRIETARY TO MOLEX ELECTRONIC TECHNOLOGIES, LLC AND SHOULD NOT BE USED WITHOUT WRITTEN PERMISSION											
DIMENSION UNITS		SCALE		CURRENT REV DESC: UPDATED THE TITLE BLOCK						<b>molex</b>	
mm		NTS									
GENERAL TOLERANCES (UNLESS SPECIFIED)				EC NO: 747243		2023/02/28		8.0MM SENTRALITY TOP ENTRY SMT STANDARD SOCKET IN T&R			
ANGULAR TOL $\pm 0.5^\circ$				DRWN: SACHIK7		2023/04/25					
4 PLACES $\pm$				CHK'D: SCS02		2023/04/26		PRODUCT CUSTOMER DRAWING			
3 PLACES $\pm$				APPR: HTHYAGARAJ				DOCUMENT NUMBER			
2 PLACES $\pm 0.15$				INITIAL REVISION:				2121940001-SD		PSD 000 B2	
1 PLACE $\pm 0.25$				DRWN: NVELUSAMY		2019/01/24		MATERIAL NUMBER		CUSTOMER	
0 PLACES $\pm$				APPR: BPISZCZOR		2019/04/05		2121940001		GENERAL MARKET	
DRAFT WHERE APPLICABLE MUST REMAIN WITHIN DIMENSIONS				THIRD ANGLE PROJECTION		DRAWING		SERIES		SHEET NUMBER	
				D		D-SIZE		212194		1 OF 1	