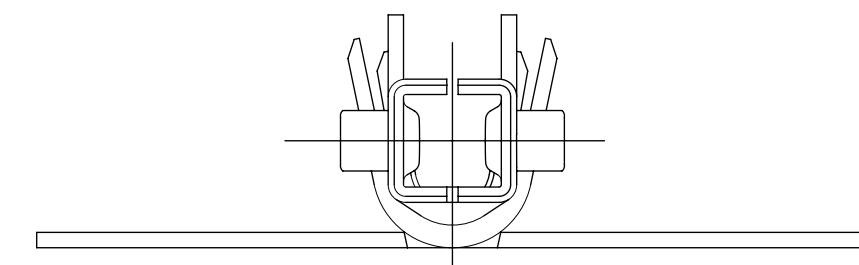


# PART LEGEND

172718- \* \* \* \*

<b>SERIES</b>	<b>FORM</b>
<b>WIRE GAGE (INS OD RANGE)</b>	1 = CHAIN/UNLUBED
1 = 16 (Ø1.98-2.55)	2 = LOOSE/UNLUBED
2 = 16 (Ø2.55-3.14)	3 = CHAIN/LUBED
3 = 18-20 (Ø1.42-2.10)	4 = LOOSE/UNLUBED
4 = 18-20 (Ø2.10-2.85)	<b>MATERIAL</b>
5 = 22-24 (Ø1.07-1.65)	1 = PHOS BRONZE
6 = 22-24 (Ø1.65-2.38)	2 = BRASS
	<b>PLATING</b>
	1 = HOT TIN DIP (PRE-PLATE)



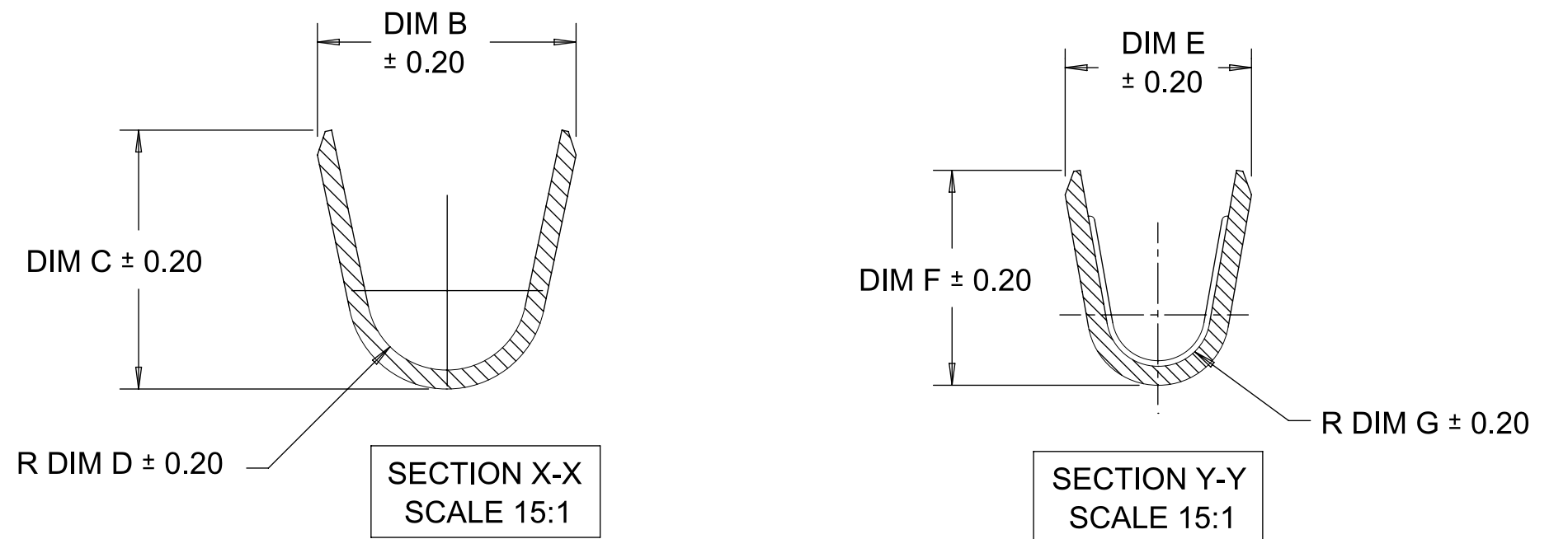
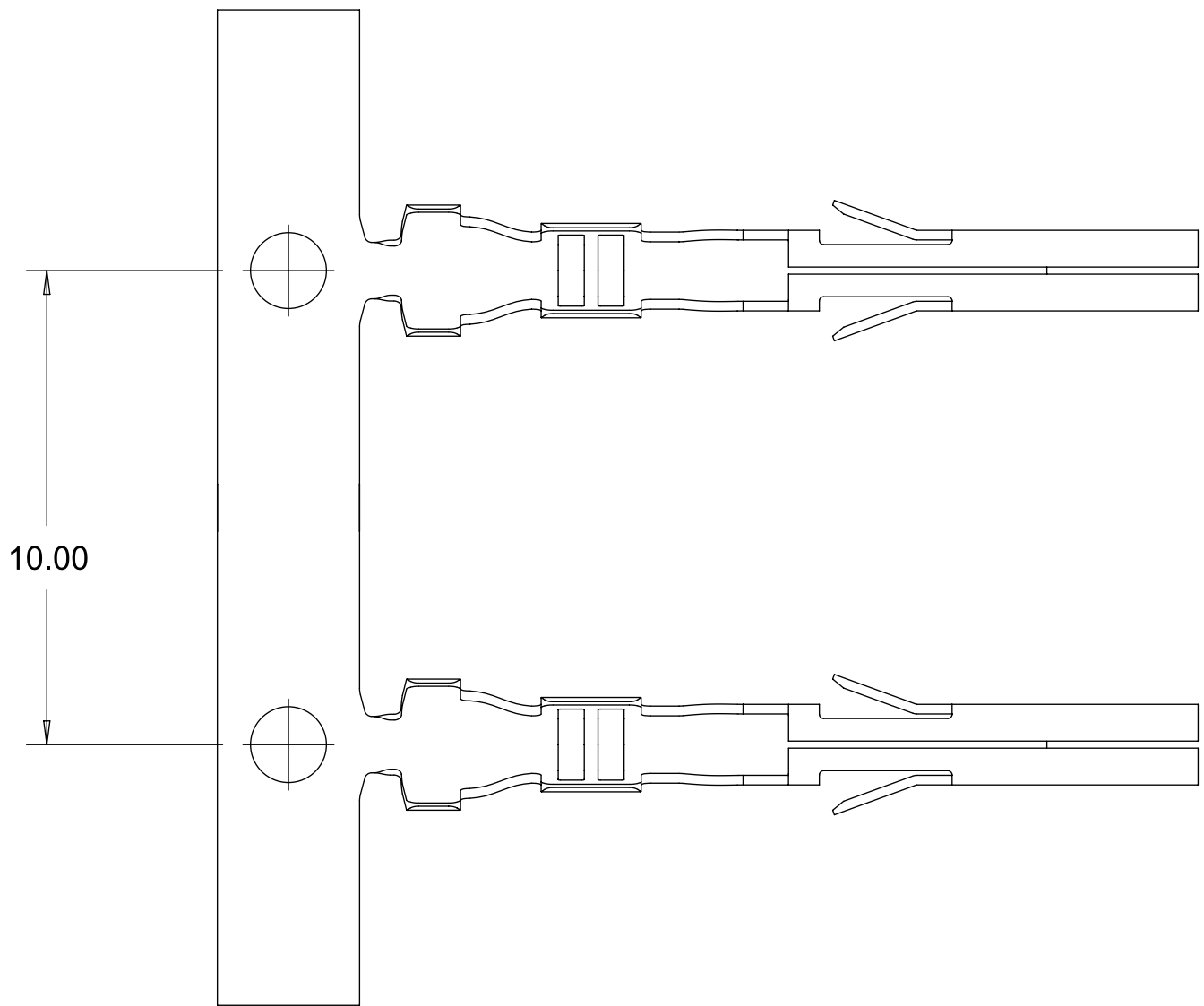
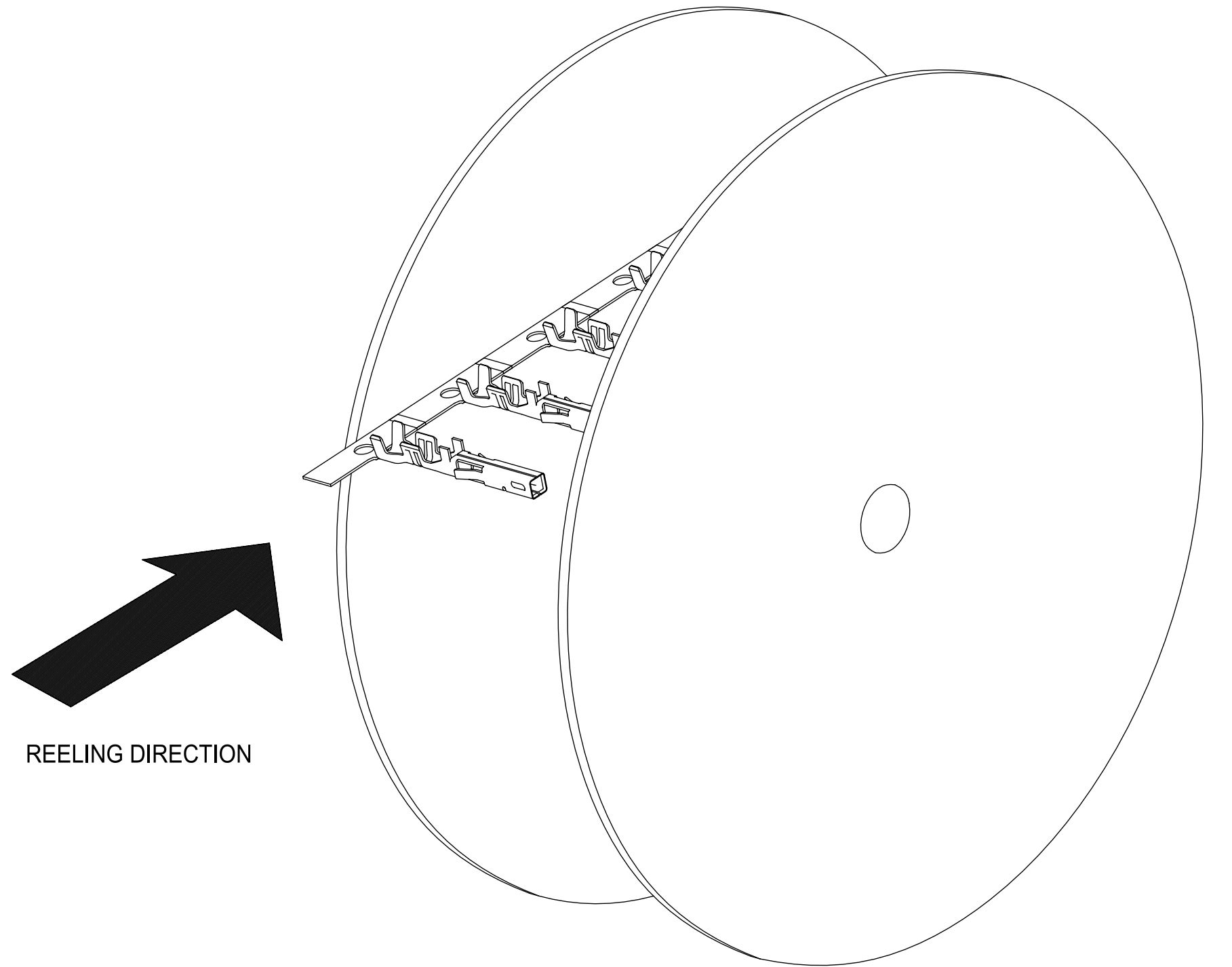
**NOTES:**

- MATERIALS:**  
PHOS BRONZE ALLOY  
BRASS ALLOY
- PRE-PLATED: HOT TIN DIP, OVERALL 2.5 m MIN. TIN.
- PRODUCT SPECIFICATION: PS-172718-0000  
APPLICATION SPECIFICATION: AS-172718-0000
- THIS TERMINAL TO BE USED WITH HOUSING SERIES 172708.
- THIS TERMINAL MATES WITH MALE CRIMP TERMINAL SERIES 5558, 46012 & 172765.
- THIS TERMINAL MATES WITH HEADER SERIES 5566 & 5569.
- PACKAGING: REELS TO BE PACKED PER PK-172718-0000  
LOOSE TERMINALS PER PK-172718-0001.
- PART CONFORMS TO CLASS 'B' REQUIREMENTS OF COSMETIC SPEC PS-45499-002.
- WHEN TERMINALS ARE INSTALLED IN THE HOUSING THE WIRE ARE TO BE DRESSED IN SUCH A MANNER TO ALLOW THE TERMINALS TO FLOAT FREELY IN THE HOUSING POCKET.
- THIS TERMINALS IS DESIGNED FOR SINGLE WIRE CRIMPING.
- LUBRICANT ADDED TO CONTACT INTERFACE

THIS DRAWING CONTAINS INFORMATION THAT IS PROPRIETARY TO MOLEX ELECTRONIC TECHNOLOGIES, LLC AND SHOULD NOT BE USED WITHOUT WRITTEN PERMISSION

DIMENSION UNITS	SCALE	CURRENT REV DESC:	<b>molex</b>					
mm	NTS							
GENERAL TOLERANCES (UNLESS SPECIFIED)			CRIMP TERMINAL RECEPTACLE MINI-FIT TPA2 AND SIGMA					
ANGULAR TOL	± °	EC NO: 746659	PRODUCT CUSTOMER DRAWING					
4 PLACES	±	DRWN: JERRYW8	2023/04/19	DOCUMENT NUMBER		DOC TYPE	DOC PART	REVISION
3 PLACES	±	CHK'D: XQZHANG	2023/04/21	SD-172718-0000		PSD	000	D7
2 PLACES	± 0.2	APPR: XQZHANG	2023/04/21	MATERIAL NUMBER		CUSTOMER		
1 PLACE	± 0.2	INITIAL REVISION:	2014/09/09	SERIES		SHEET NUMBER		
0 PLACES	±	DRWN: TGREGORI	2014/09/24	172718		1 OF 2		
DRAFT WHERE APPLICABLE MUST REMAIN WITHIN DIMENSIONS		THIRD ANGLE PROJECTION	DRAWING	GENERAL MARKET				
			C-SIZE					

	MOLEX PART NUMBER	BASE MAT'L	WIRE AWG	COMBINATIO N WIRE AWG	WIRE OD RANGE	DIM B	DIM C	DIM D	DIM E	DIM F	DIM G			
CHAIN	172718-1111	PHOS BOONZE	16	NA	1.98-2.55	3.27	3.43	1.00	2.35	2.90	0.70			
	172718-2111			NA	2.55-3.14	3.74	3.66	1.43						
	172718-3111		18-20	22+22 AWG	NA	1.42-2.10	2.77	2.77	0.85	2.00	2.30	0.55		
	172718-4111				NA	2.10-2.85	3.36	3.37	1.25					
	172718-5111		22-24	NA	NA	1.07-1.65	2.33	2.27	0.70	1.68	1.65	0.40		
	172718-6111				NA	1.65-2.38	3.14	3.09	1.00					
	LOOSE		172718-1121	BRASS	16	NA	1.98-2.55	3.27	3.43	1.00	2.35	2.90	0.70	
			172718-2121			NA	2.55-3.14	3.74	3.66	1.43				
			172718-3121		18-20	22+22 AWG	NA	1.42-2.10	2.77	2.77	0.85	2.00	2.30	0.55
			172718-4121				NA	2.10-2.85	3.36	3.37	1.25			
172718-5121		22-24	NA		NA	1.07-1.65	2.33	2.27	0.70	1.68	1.65	0.40		
172718-5123					NA	1.07-1.65	2.33	2.27	0.70					
172718-6121		16	NA		NA	1.98-2.55	3.27	3.43	1.00	2.35	2.90	0.70		
172718-1112					NA	2.55-3.14	3.74	3.66	1.43					
172718-2112		18-20	NA		NA	1.42-2.10	2.77	2.77	0.85	2.00	2.30	0.55		
172718-4112					NA	2.10-2.85	3.36	3.37	1.25					
172718-5112	22-24	NA	NA	1.07-1.65	2.33	2.27	0.70	1.68	1.65	0.40				
172718-6112			NA	1.65-2.38	3.14	3.09	1.00							
LOOSE	172718-1122	BRASS	16	NA	1.98-2.55	3.27	3.43	1.00	2.35	2.90	0.70			
	172718-2122			NA	2.55-3.14	3.74	3.66	1.43						
	172718-3122		18-20	NA	NA	1.42-2.10	2.77	2.77	0.85	2.00	2.30	0.55		
	172718-4122				NA	2.10-2.85	3.36	3.37	1.25					
	172718-5122		22-24	NA	NA	1.07-1.65	2.33	2.27	0.70	1.68	1.65	0.40		
	172718-6122				NA	1.65-2.38	3.14	3.09	1.00					



THIS DRAWING CONTAINS INFORMATION THAT IS PROPRIETARY TO MOLEX ELECTRONIC TECHNOLOGIES, LLC AND SHOULD NOT BE USED WITHOUT WRITTEN PERMISSION											
DIMENSION UNITS		SCALE		CURRENT REV DESC:							
mm		NTS									
GENERAL TOLERANCES (UNLESS SPECIFIED)				EC NO: 746659				<b>CRIMP TERMINAL RECEPTACLE MINI-FIT TPA2 AND SIGMA</b>			
ANGULAR TOL ± °				DRWN: JERRYW8 2023/04/19							
4 PLACES ±				CHK'D: XQZHANG 2023/04/21				<b>PRODUCT CUSTOMER DRAWING</b>			
3 PLACES ±				APPR: XQZHANG 2023/04/21							
2 PLACES ± 0.2				INITIAL REVISION:				DOCUMENT NUMBER: <b>SD-172718-0000</b>   DOC TYPE: PSD   DOC PART: 000   REVISION: D7			
1 PLACE ± 0.2				DRWN: TGREGORI 2014/09/09							
0 PLACES ±				APPR: TGREGORI 2014/09/24							
DRAFT WHERE APPLICABLE MUST REMAIN WITHIN DIMENSIONS				THIRD ANGLE PROJECTION		DRAWING		SERIES		SHEET NUMBER	
						C-SIZE		172718		2 OF 2	